

# P R E F A C E

1. This parts catalog covers the parts of **YANMAR CRAWLER BACKHOE** model Y B 451(-2) and Y B 501(-2).

Besides the domestic edition (Pub.No. 000Y00K2091), the overseas edition (Pub.No. 000Y00S2181) is also covered.

This parts catalog is the revised edition which is supplemented with design change.

2. This parts catalog covers the parts of the machine as shown below.

Model	Machine No. (M/ #)	
	Domestic M/ #	Overseas M/ #
Y B 451, Y B 501	0 0 5 0 1 ~	0 0 5 0 1 ~
Model-changed machine(March, 1986)	1 0 5 0 1 ~	5 0 0 0 1 ~
Y B 451-2, Y B 501-2	2 0 5 0 1 ~	6 0 5 0 1 ~

## [History]

- 1st. edition Issued : Nov., 1984 Pub.No. 000Y00K2090(Domestic edition)  
 Issued : Nov., 1984 Pub.No. 000Y00S2180(Overseas edition)  
 2nd. edition Issued : Nov., 1987 Pub.No. 000Y00K2091(Domestic edition)  
 Issued : Mar., 1988 Pub.No. 000Y00S2181(Overseas edition)  
 3rd. edition Issued : Nov., 1991 Pub.No. 000Y00K2094(Domestic and Overseas edition)

※ Please discard the old parts catalog. (1st edition and 2nd edition)

3. Paint Color

Old

Paint Color	Munsel No	Paint Code (18 l)	Spray
YANMAR New Light Yellow	10YR6.5/8	933110-91602	981101-06041
YANMAR Cream	2.5Y9/1	933110-91803	981101-06340
YANMAR New Dark Olive	5GY1/1	933110-91702	981101-05941

New (from October, 1987 )

Paint Color	Munsel No	Paint Code (18 l)	Spray
YANMAR New Light Yellow	10YR6.5/8	933110-91602	981101-06041
YANMAR Cream White	5.0Y9/1	981101-09614	981101-10140
YANMAR Dark Olive II	7.5GY1/1	981101-09515	981101-10141

4. As this parts catalog covers the specifications of several countries, the Fig. No. for the applicable countries is shown in the following way.

a) When the applicable figure varies according to the appropriate country(s).

Example 1 :

Country	NW	FA	JP
Fig. No.	18	19	—

← Abbreviation of the country concerned

NW : Norway

FA : France

JP : Japan



Fig. number on the page on which the country concerned is shown

In case of Example 1 above, NW(Norway) is shown in Fig.18 and FA(France) in Fig.19. JP(Japan) is not applicable.

b) When only one figure is available to be applied to one or more countries.

Example 2 :

Country	NW	FA	JP
Application	—	○	—

← Abbreviation of the country concerned

← The country concerned is indicated by a circle (○).

In case of Example 2 FA(France) is the applicable country.

(Note)

When the figure or specification is common to all destinations, no indication is given.

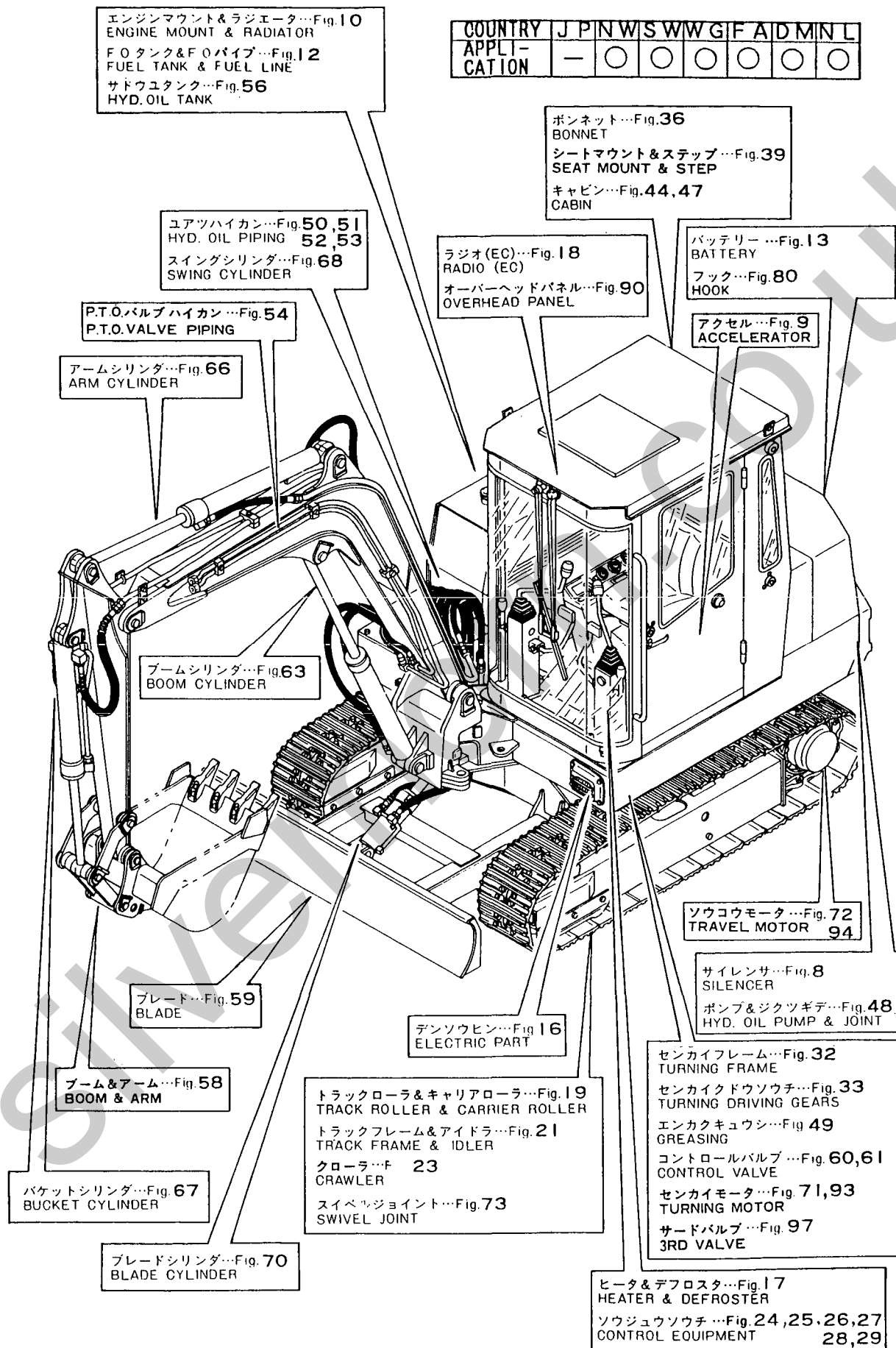
# SPECIFICATIONS

Name		<b>YANMAR CRAWLER BACHOE</b>								
Model		YB451 (-2)-P	YB451 (-2)-C	YB451 UZ(-2)-P	YB451 UK(-2)-C	YB501 (-2)-P	YB501 (-2)-C	YB501 UZ(-2)-P	YB501 UK(-2)-C	
Engine	Model	4 TN78TL-D(R)BVM								
	Type	Vertical 4-cylinder water-cooled turbo diesel								
Dimensions	Transport length	mm	5360		5415		5460		5515	
	Transport width	mm	1840	1855	1840	1855	1840	1855	1840	1855
	Transport height	mm	2465	2455	2470	2455	2465	2455	2470	2455
Std. bucket capacity		m <sup>3</sup>	0.13(old 0.22)				0.14(old 0.24)			
Std. bucket width(Outside)		mm	600				650			
Max. digging depth		mm	3500				3700			
Max. cutting height		mm	4570	5650	4570	4640	5790	4640		
Max. dump height		mm	3170	4060	3170	3250	4200	3250		
Max. reach at ground level		mm	5400	5450	5560	5610				
Min. swing radius		mm	2570	1960	2625	2570	2030	2625		
Boom swing angle		degree	Left&Right 60		Left50•Right90		Left&Right 60		Left50•Right90	
Max. digging force(Std. bucket)		kgf	3150							
Travel speed		km/h	3.6 • 1.9							
Gradability		degree	30							
Average ground pressure		kgf/cm <sup>2</sup>	0.251 [0.228]	0.264 [0.240]	0.251 [0.228]	0.264 [0.240]	0.284 [0.258]	0.295 [0.270]	0.284 [0.258]	0.295 [0.270]
Track shoe width(Std.)		mm	380							
Blade	Width×height	mm	1840×350							
	Capacity	m <sup>3</sup>	0.22							
Machine mass		kg	3800 [3700]	4000 [3900]	3800 [3700]	4000 [3900]	4300 [4200]	4500 [4400]	4300 [4200]	4500 [4400]

[ ] shows to the specification of rubber crawler.

# 各部の名称 PARTS NAME

COUNTRY	J	P	N	W	S	W	G	F	A	D	M	N	L
APPLI- CATION	-	○	○	○	○	○	○	○	○	○	○	○	○



# 各部の名称 PARTS NAME

COUNTRY	J	P	N	W	S	W	G	F	A	D	M	N	L
APPLI- CATION	○	—	—	—	—	—	—	—	—	—	—	—	—

エンジンマウント&ラジエータ…Fig.10  
ENGINE MOUNT & RADIATOR  
F O タンク&F O パイプ…Fig.11  
FUEL TANK & FUEL LINE  
サドウユタンク…Fig.55  
HYD. OIL TANK

ユアツハイカン…Fig.50,51,52,53  
HYD. OIL PIPING  
スイングシリンダ…Fig.68,69  
SWING CYLINDER

アームシリンダ…Fig.66  
ARM CYLINDER

ブームシリンダ…Fig.63  
BOOM CYLINDER  
64  
65

ブレード…Fig.59  
BLADE

ブーム&バケット…Fig.57  
BOOM & BUCKET

バケットシリンダ…Fig.67  
BUCKET CYLINDER

ブレードシリンダ…Fig.70  
BLADE CYLINDER

トラックローラ&キャリアローラ…Fig.19,20  
TRACK ROLLER & CARRIER ROLLER  
トラックフレーム&アイドル…Fig.21,22  
TRACK FRAME & IDLER  
クローラ…Fig.23  
CRAWLER  
スイベルジョイント…Fig.73  
SWIVEL JOINT

デンソウヒン…Fig.15  
ELECTRIC PART

ボンネット…Fig.34,35  
BONNET  
シート&ステップ…Fig.37,38  
SEAT & STEP  
キャビン…Fig.44  
CABIN  
フロントオープンキャビン…Fig.45  
FRONT OPEN CABIN  
フラットキャビン…Fig.46  
FLAT CABIN

アクセル…Fig.9  
ACCELERATOR

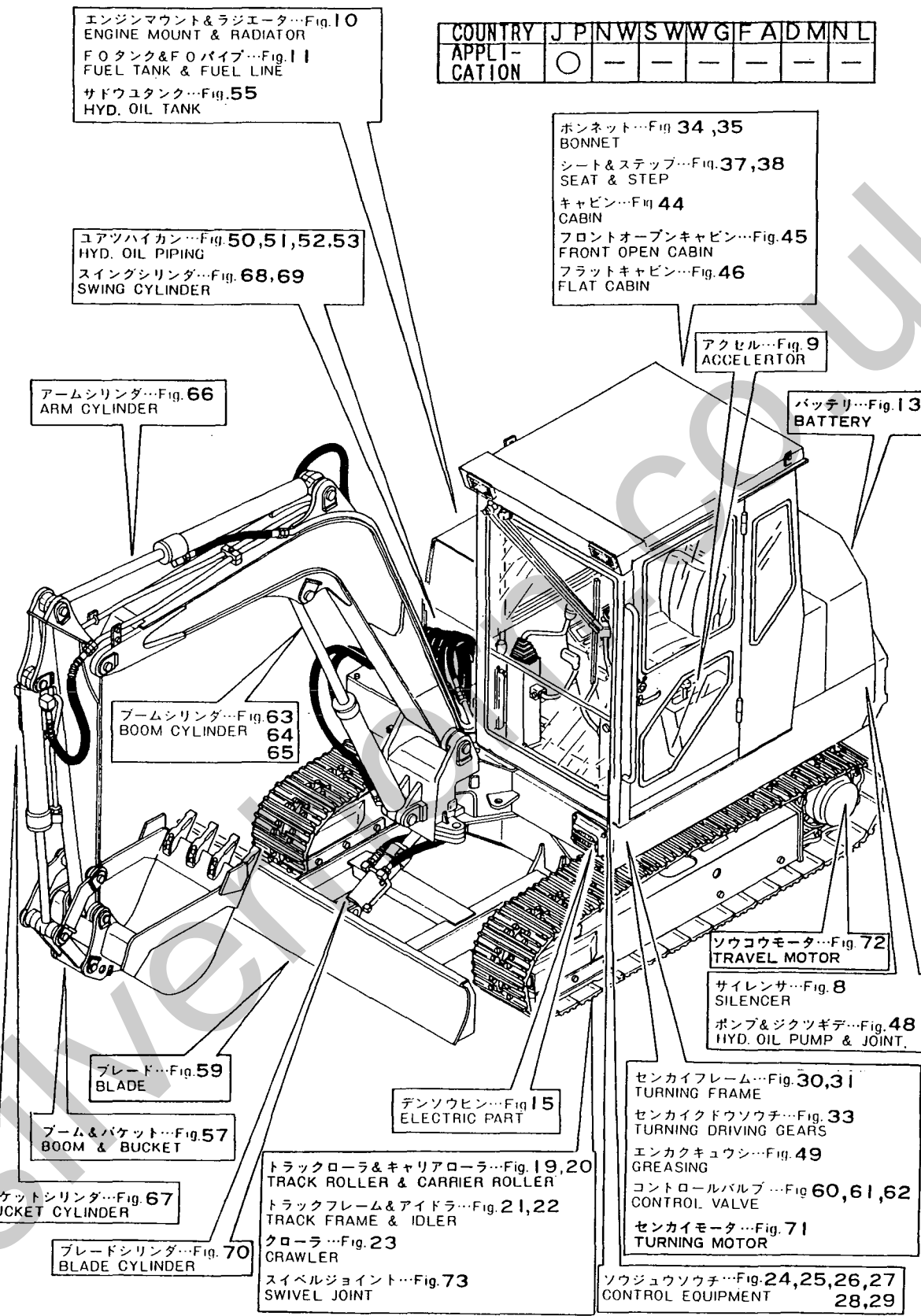
バッテリー…Fig.13  
BATTERY

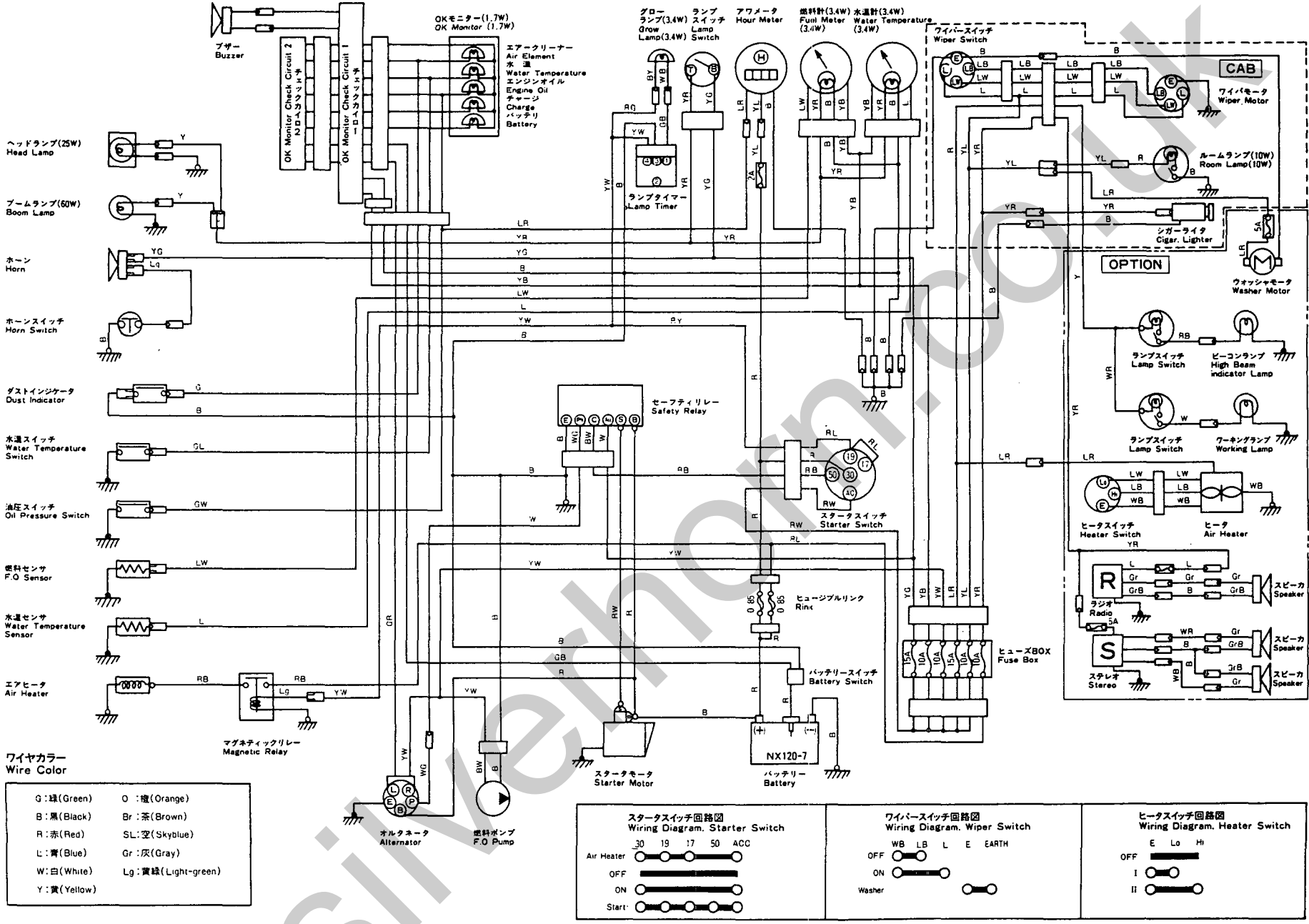
ソウコウモータ…Fig.72  
TRAVEL MOTOR

サイレンサ…Fig.8  
SILENCER  
ポンプ&ジクツギデ…Fig.48  
HYD. OIL PUMP & JOINT.

センカイフレーム…Fig.30,31  
TURNING FRAME  
センカイクドウソウチ…Fig.33  
TURNING DRIVING GEARS  
エンカクキュウシ…Fig.49  
GREASING  
コントロールバルブ…Fig.60,61,62  
CONTROL VALVE  
センカイモータ…Fig.71  
TURNING MOTOR

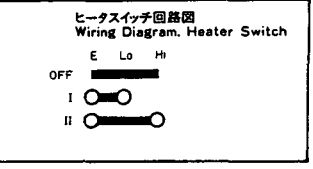
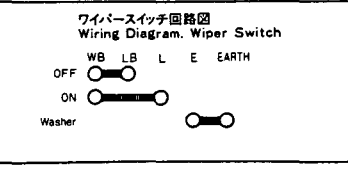
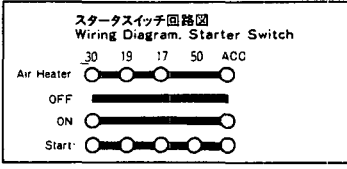
ソウジュウソウチ…Fig.24,25,26,27  
CONTROL EQUIPMENT  
28,29





ワイヤカラー Wire Color

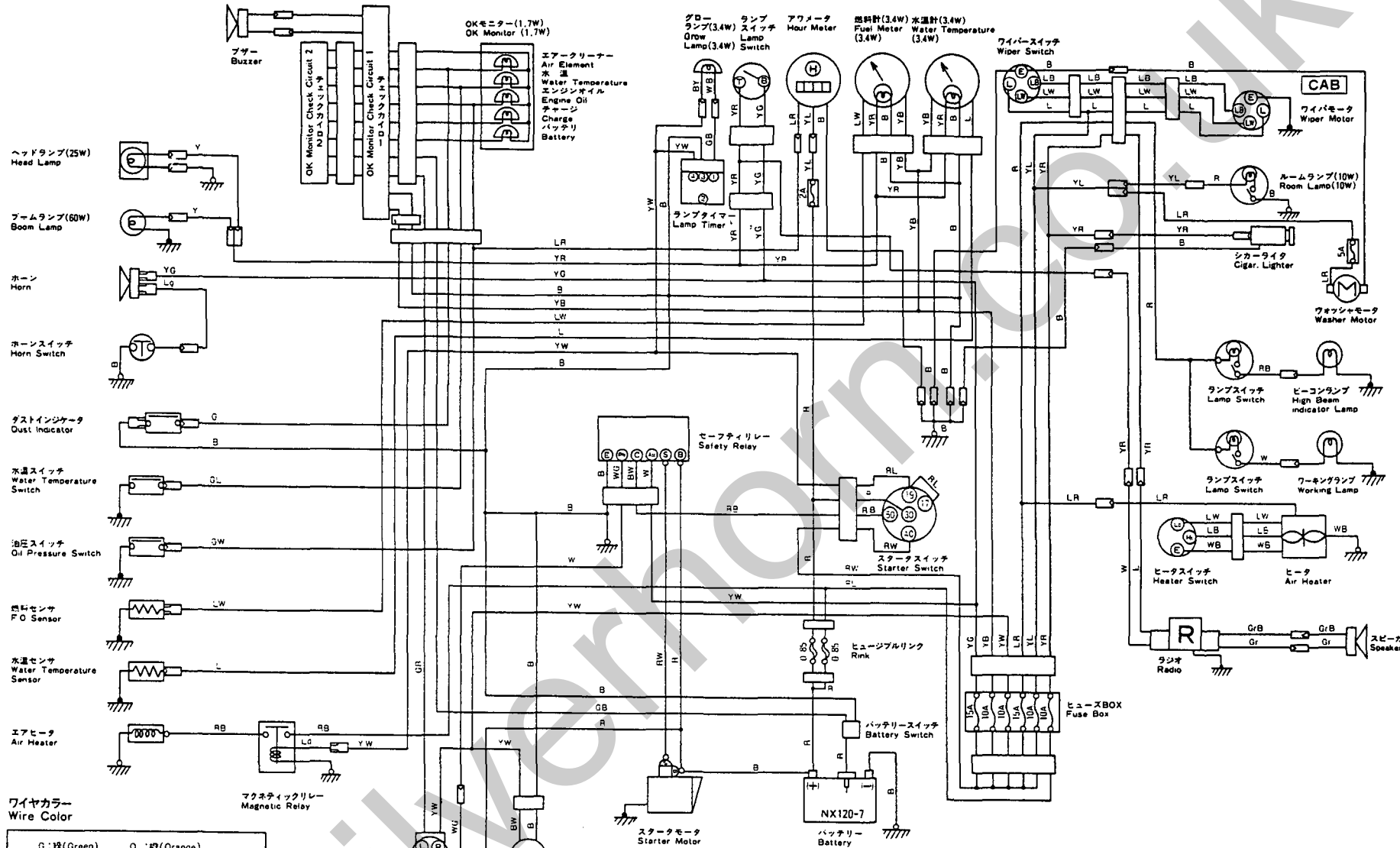
G: 緑 (Green)	O: 橙 (Orange)
B: 黒 (Black)	Br: 茶 (Brown)
R: 赤 (Red)	SL: 空 (Skyblue)
L: 青 (Blue)	Gr: 灰 (Gray)
W: 白 (White)	Lg: 黄緑 (Light-green)
Y: 黄 (Yellow)	



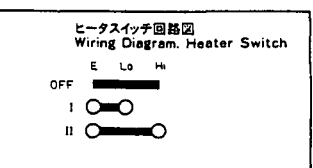
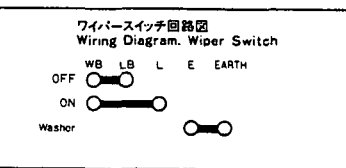
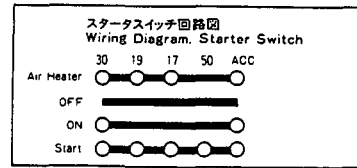
COUNTRY APPLICATION

J	P	N	W	S	W	W	G	F	A	D	M	N	L
○	○	○	○	○	○	○	○	○	○	○	○	○	○

配線図  
WIRING DIAGRAM



- ヘッドランプ (25W) Head Lamp
- ブームランプ (60W) Boom Lamp
- ホーン Horn
- ホーンスイッチ Horn Switch
- ダストインジケータ Dust Indicator
- 水温スイッチ Water Temperature Switch
- 油圧スイッチ Oil Pressure Switch
- 熱センサ F.O Sensor
- 水温センサ Water Temperature Sensor
- エアヒータ Air Heater
- ワイヤカラー Wire Color
- |               |                      |
|---------------|----------------------|
| G: 緑 (Green)  | O: 橙 (Orange)        |
| B: 黒 (Black)  | Br: 茶 (Brown)        |
| R: 赤 (Red)    | SL: 空 (Skyblue)      |
| LB: 青 (Blue)  | Gr: 灰 (Gray)         |
| W: 白 (White)  | Lg: 黄緑 (Light-green) |
| Y: 黄 (Yellow) |                      |

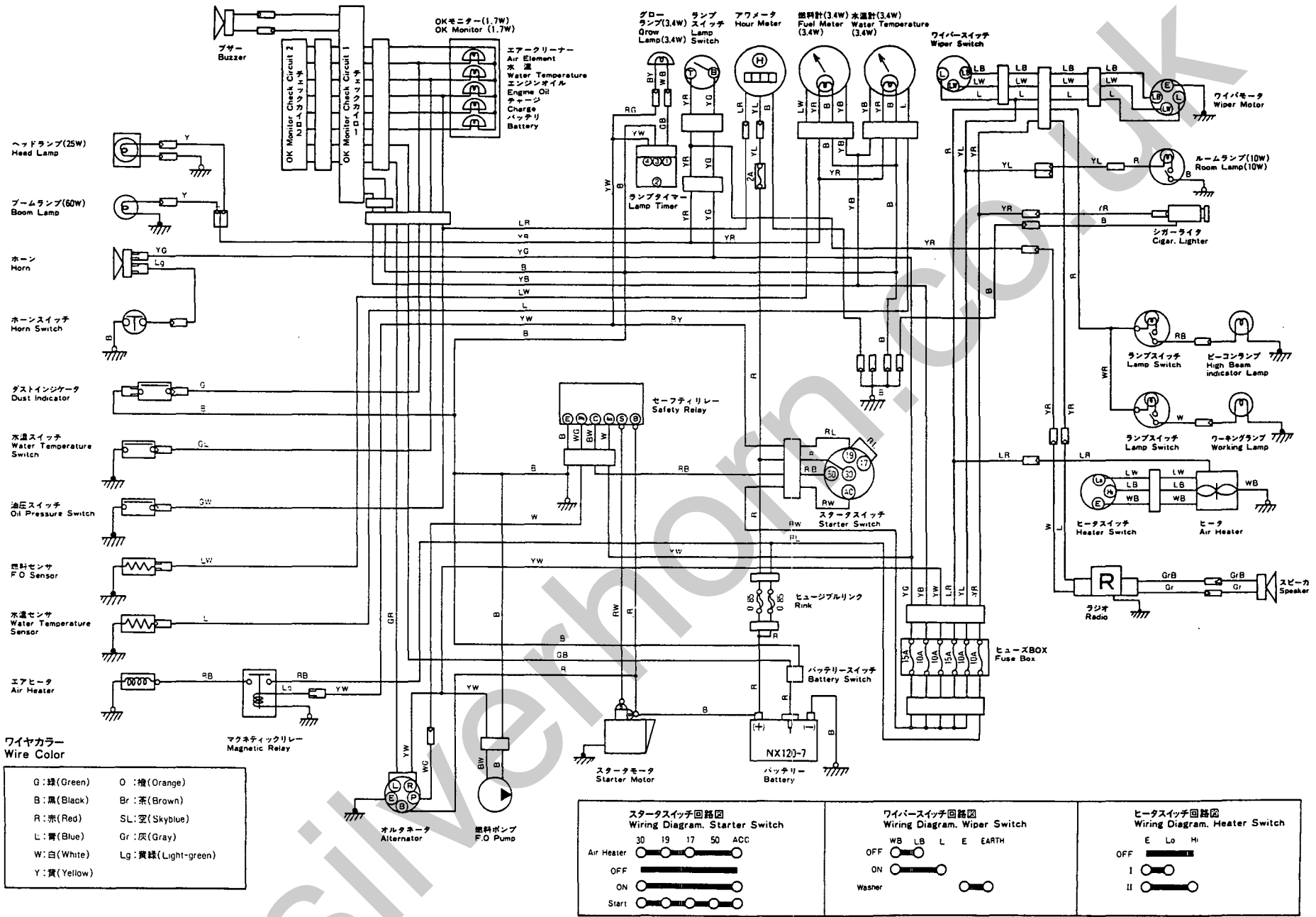


COUNTRY	J	P	N	S	W	W	G	F	A	D	M	L
APPLICATION	—	○	—	—	—	—	—	—	—	—	—	—

配線図  
WIRING DIAGRAM

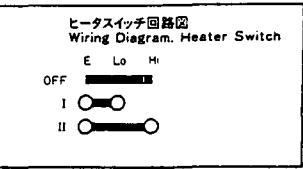
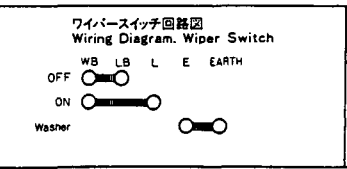
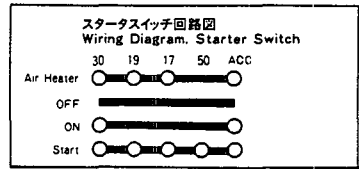
COUNTRY	J	P	N	W	S	W	G	F	A	D	M	N	L
APPLICATION	—	—	—	—	—	—	—	—	—	—	—	—	—

配線図  
WIRING DIAGRAM



ワイヤカラー  
Wire Color

G: 緑 (Green)	O: 橙 (Orange)
B: 黒 (Black)	Br: 茶 (Brown)
R: 赤 (Red)	SL: 空 (Skyblue)
L: 青 (Blue)	Gr: 灰 (Gray)
W: 白 (White)	Lg: 黄緑 (Light-green)
Y: 黄 (Yellow)	





3,1,,772124-03110,, "LABEL SET",1,,,,,,,,,,,,,  
3-1,1,,772124-03111,, "LABEL SET",1,,,,,S,,M20501,,,,,  
4,1,,772125-03110,, "LABEL SET",,,,,1,,,,,,,,,,,,,  
4-1,1,,772125-03111,, "LABEL SET",,,,,1,,,,S,,,,,M20501,,  
5,2,,172124-03110,, "LABEL, SPECIFICATION",1,,,,,,,,,,,,,  
5-1,2,,172124-03111,, "LABEL, SPECIFICATION",1,,,,,S,,M20501,,,,,  
6,2,,172125-03110,, "LABEL, SPECIFICATION",,,,,1,,,,,,,,,,,,,  
6-1,2,,172125-03111,, "LABEL, SPECIFICATION",,,,,1,,,,S,,,,,M20501,,  
7,2,,172122-03120,, "LABEL, GREASE",1,,1,,,,,,,,,,,,,  
8,2,,172124-03120,, "LABEL,1,,1,,,,,,,,,,,,,  
9,2,,172125-03120,, "LABEL,MODEL",,,,,2,,,,,,,,,,,,,  
10,2,,172122-03140,, "LABEL, GREASE",1,,1,,,,,,,,,,,,,  
10-1,2,,172122-03141,, "LABEL, GREASE",1,,1,,N,,\*1985.12,,,,,\*1985.12,,  
11,2,,172124-03140,, "LABEL,MODEL",2,,,,,,,,,,,,,  
12,2,,172124-03150,, "LABEL, STRIPE (A)",1,,1,,,,,,,,,,,,,  
13,2,,172124-03160,, "LABEL, STRIPE (B)",1,,1,,,,,,,,,,,,,  
14,2,,172124-03180,, "LABEL, STRIPE (D)",1,,1,,,,,,,,,,,,,  
15,2,,172124-03190,, "LABEL, STRIPE (E)",1,,1,,,,,,,,,,,,,  
16,2,,172124-03200,, "LABEL, STRIPE (F)",1,,1,,,,,,,,,,,,,  
17,2,,172124-03210,, "LABEL, STRIPE (G)",1,,1,,,,,,,,,,,,,  
18,2,,172124-03220,, "LABEL, STRIPE (H)",1,,1,,,,,,,,,,,,,  
19,2,,172124-03230,, "LABEL,YANMAR 1000",1,,,,,,,,,,,,,  
19-1,2,,172312-03281,, "LABEL, BUMPER",1,,,,,R,,\*1987.10,,,,,  
20,2,,933112-23600,, "LABEL(A),OPERATION",1,,1,,,,,,,,,,,,,  
21,2,,172122-03350,, "LABEL, STRIPE (LF4)",1,,1,,,,,,,,,,,,,  
21-1,2,,172122-03351,, "LABEL, STRIPE (LF4)",1,,1,,N,,\*1987.11,,,,,\*1987.11,,  
22,2,,172122-03380,, "LABEL, STRIPE (LF1)",1,,1,,,,,,,,,,,,,  
23,2,,172122-03410,, "LABEL, STRIPE (RF1)",1,,1,,,,,,,,,,,,,  
24,2,,121470-44540,, "LABEL, SUB-TANK",1,,1,,,,,,,,,,,,,  
25,2,,933112-45000,, "LABEL, DANGER",1,,1,,,,,,,,,,,,,  
26,2,,933112-47500,, "LABEL,1,,1,,,,,,,,,,,,,  
27,2,,933112-50200,, "LABEL,1,,1,,,,,,,,,,,,,  
28,2,,933112-52000,, "LABEL, FUEL",1,,1,,,,,,,,,,,,,  
28-1,2,,933112-52400,, "LABEL, FUEL",1,,1,,R,,\*1988.04,,,,,\*1988.04,,  
29,2,,933112-91400,, "LABEL, YANMAR",2,,2,,,,,,,,,,,,,  
29-1,2,,172124-03310,, "LABEL, YANMAR (L)",1,,1,,S,,\*1987.10,,,,,\*1987.10,,  
29A,1,,172124-03320,, "LABEL, YANMAR (R)",1,,1,,W,,\*1987.10,,,,,\*1987.10,,  
30,2,,933112-94100,, "LABEL, TURBO",1,,1,,,,,,,,,,,,,  
31,2,,933112-94200,, "LABEL, TURBO",1,,1,,,,,,,,,,,,,  
32,2,,933112-92200,, "LABEL, SSS MARK",2,,2,,Z,,M10501,,,,,M10501,,  
33,2,,172122-03250,, "LABEL, NO.1 MARK",1,,1,,W,,M10501,,,,,M10501,,  
33-1,2,,172122-03250,, "LABEL, NO.1 MARK",1,,1,,Z,,\*1986.05,,,,,\*1986.05,,  
34,2,,172122-03260,, "LABEL, NO.1 MARK",1,,1,,W,,M10501,,,,,M10501,,  
34-1,2,,172122-03260,, "LABEL, NO.1 MARK",2,,2,,K,,\*1986.05,,,,,\*1986.05,,  
34-2,2,,172122-03260,, "LABEL, NO.1 MARK",1,,1,,K,,M20501,,,,,M20501,,  
35,2,,172124-03270,, "LABEL, SEAL (B)",1,,1,,W,,M20501,,,,,M20501,,  
35-1,2,,172124-03271,, "LABEL,SEAL B",1,,1,,S,,\*1989.01,,,,,\*1989.01,,  
36,2,,172137-03290,, "LABEL, NO.1 MARK",1,,1,,W,,M20501,,,,,M20501,,  
39,1,,772132-03110,, "LABEL SET",1,,,,,,,,,,,,,  
39-1,1,,772132-03111,, "LABEL SET",1,,,,,S,,M20501,,,,,  
40,1,,772133-03110,, "LABEL SET",,,,,1,,,,,,,,,,,,,  
40-1,1,,772133-03111,, "LABEL SET",,,,,1,,,,S,,,,,M20501,,  
41,2,,172132-03100,, "LABEL, SPECIFICATION",1,,,,,,,,,,,,,  
41-1,2,,172132-03101,, "LABEL, SPECIFICATION",1,,,,,S,,M20501,,,,,  
42,2,,172133-03100,, "LABEL, SPECIFICATION",,,,,1,,,,,,,,,,,,,  
42-1,2,,172133-03101,, "LABEL, SPECIFICATION",,,,,1,,,,S,,,,,M20501,,  
43,2,,172122-03120,, "LABEL, GREASE",1,,1,,,,,,,,,,,,,  
44,2,,172124-03120,, "LABEL,1,,1,,,,,,,,,,,,,  
45,2,,172133-03110,, "LABEL,MODEL YB501U",,,,,2,,,,,,,,,,,,,  
46,2,,172122-03141,, "LABEL, GREASE",1,,1,,,,,,,,,,,,,  
47,2,,172132-03110,, "LABEL,MODEL YB451U",2,,,,,,,,,,,,,  
48,2,,172124-03150,, "LABEL, STRIPE (A)",1,,1,,,,,,,,,,,,,  
49,2,,172124-03160,, "LABEL, STRIPE (B)",1,,1,,,,,,,,,,,,,

50,2,,172124-03180,, "LABEL, STRIPE (D)",1,,1,,,,,,,,,,,,,  
51,2,,172124-03190,, "LABEL, STRIPE (E)",1,,1,,,,,,,,,,,,,  
52,2,,172124-03200,, "LABEL, STRIPE (F)",1,,1,,,,,,,,,,,,,  
53,2,,172124-03210,, "LABEL, STRIPE (G)",1,,1,,,,,,,,,,,,,  
54,2,,172124-03220,, "LABEL, STRIPE (H)",1,,1,,,,,,,,,,,,,  
55,2,,172124-03230,, "LABEL, YANMAR 1000",1,,,,,,,,,,,,,  
55-1,2,,172312-03281,, "LABEL, BUMPER",1,,R,,\*1987.10,,,,,,,,,  
56,2,,933112-23600,, "LABEL(A), OPERATION",1,,1,,,,,,,,,,,,,  
57,2,,172122-03350,, "LABEL, STRIPE (LF4)",1,,1,,,,,,,,,,,,,  
57-1,2,,172122-03351,, "LABEL, STRIPE (LF4)",1,,1,,N,,\*1987.11,,,,,\*1987.11,,  
58,2,,172122-03380,, "LABEL, STRIPE (LF1)",1,,1,,,,,,,,,,,,,  
59,2,,172122-03410,, "LABEL, STRIPE (RF1)",1,,1,,,,,,,,,,,,,  
60,2,,121470-44540,, "LABEL, SUB-TANK",1,,1,,,,,,,,,,,,,  
61,2,,933112-45000,, "LABEL, DANGER",1,,1,,,,,,,,,,,,,  
62,2,,933112-47500,, LABEL,1,,1,,,,,,,,,,,,,  
63,2,,933112-50200,, LABEL,1,,1,,,,,,,,,,,,,  
64,2,,933112-52000,, "LABEL, FUEL",1,,1,,,,,,,,,,,,,  
64-1,2,,933112-52400,, "LABEL, FUEL",1,,1,,R,,\*1988.04,,,,,\*1988.04,,  
65,2,,933112-91400,, "LABEL, YANMAR",2,,2,,,,,,,,,,,,,  
65-1,2,,172124-03310,, "LABEL, YANMAR (L)",1,,1,,S,,\*1987.10,,,,,\*1987.10,,  
65A,2,,172124-03320,, "LABEL, YANMAR (R)",1,,1,,W,,\*1987.10,,,,\*1987.10,,  
66,2,,933112-94100,, "LABEL, TURBO",1,,1,,,,,,,,,,,,,  
67,2,,933112-94200,, "LABEL, TURBO",1,,1,,,,,,,,,,,,,  
68,2,,172122-03250,, "LABEL, NO.1 MARK",1,,1,,Z,,M00824,,,,\*1986.05,,  
69,2,,172122-03260,, "LABEL, NO.1 MARK",1,,1,,,,,,,,,,,,,  
69-1,2,,172122-03260,, "LABEL, NO.1 MARK",2,,2,,K,,M10501,,,,M10501,,  
69-2,2,,172122-03260,, "LABEL, NO.1 MARK",1,,1,,K,,M20501,,,,M20501,,  
70,2,,172124-03270,, "LABEL, SEAL (B)",1,,1,,W,,M20501,,,,M20501,,  
70-1,2,,172124-03271,, "LABEL, SEAL B",1,,1,,S,,\*1989.01,,,,\*1989.01,,  
71,2,,172137-03290,, "LABEL, NO.1 MARK",1,,1,,W,,M20501,,,,M20501,,  
72,1,,172122-03240,, "LABEL, R EXPRESSION",1,,1,,Z,,M20648,,,,M20527,,  
73,1,,172513-03350,, "LABEL, "YANMAR"",1,,1,,,,,,,,,,,,,  
73-1,1,,933112-91901,, "LABEL, YANMAR",1,,1,,N,,M20501,,,,M20501,,  
74,1,,933112-91700,, "LABEL, Z MARK",2,,2,,,,,,,,,,,,,  
75,1,,933112-23400,, "LABEL(B), OPERATION",,,1,,1,,,,,,,,,,,,,  
76,1,,933112-23500,, "LABEL(C), OPERATION",,,1,,1,,,,,,,,,,,,,  
77,1,,933112-23700,, "LABEL(D), OPERATION",,,1,,1,,,,,,,,,,,,,

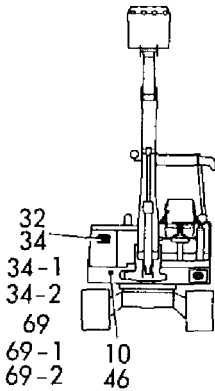
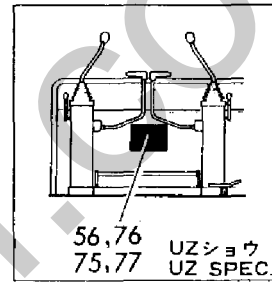
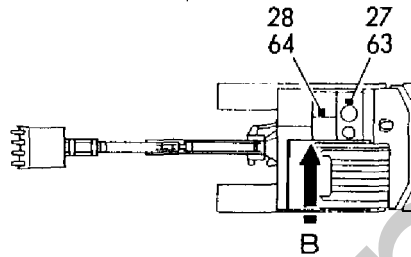
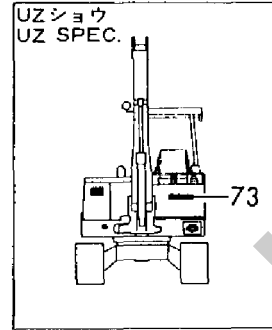
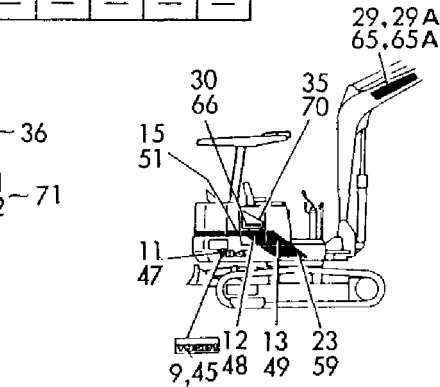


Fig. 1 メイパン(キャノピ)  
LABEL (CANOPY SPEC.)

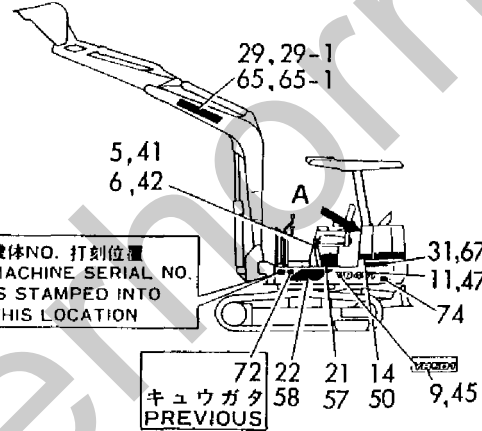
SPEC. CODE  
 D72124-03110 D72125-03140  
 D72125-03110 D72122-03150  
 D72132-03120 D72122-03160  
 D72133-03120 D72122-03170  
 D72122-03140 D72132-03220  
 D72124-03140 D72133-03220

COUNTRY	J	P	N	S	W	G	F	A	D	M	N	L
Fig. No.	1	-	-	-	-	-	-	-	-	-	-	-

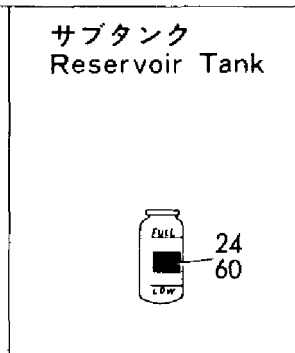
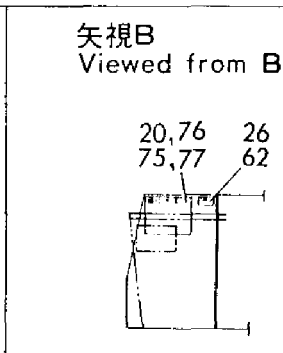
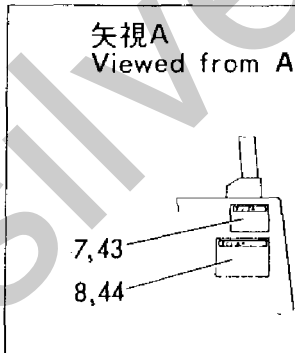
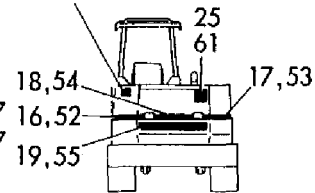
3 inc. 5~36  
 4 inc. 6  
 39 inc. 41~71  
 40 inc. 42



機体NO. 打刻位置  
 MACHINE SERIAL NO.  
 IS STAMPED INTO  
 THIS LOCATION



32,33-1  
 33,34-1,36  
 68,69-1,71



3,1,,772124-03100,, "LABEL SET",,1,,,,,,,,,  
3-1,1,,772124-03101,, "LABEL SET",,1,,,,,S,,,,,M20501,,,,,  
4,1,,772125-03100,, "LABEL SET",,,,,,1,,,,,,,,,  
4-1,1,,772125-03101,, "LABEL SET",,,,,,1,,S,,,,,,M20501  
5,2,,172124-03110,, "LABEL, SPECIFICATION",,1,,,,,,,,,  
5-1,2,,172124-03111,, "LABEL, SPECIFICATION",,1,,,,,S,,,,,M20501,,,,,  
6,2,,172125-03110,, "LABEL, SPECIFICATION",,,,,,1,,,,,,,,,  
6-1,2,,172125-03111,, "LABEL, SPECIFICATION",,,,,,1,,S,,,,,,M20501  
7,2,,172122-03120,, "LABEL, GREASE",,1,,1,,,,,,,,,  
8,2,,172124-03120,, "LABEL,,1,,1,,,,,,,,,  
9,2,,172125-03120,, "LABEL,MODEL",,,,,,2,,,,,,,,,  
10,2,,172122-03140,, "LABEL, GREASE",,1,,1,,,,,,,,,  
10-1,2,,172122-03141,, "LABEL, GREASE",,1,,1,,N,,,,,\*1985.12,,,,,\*1985.12  
11,2,,172124-03140,, "LABEL,MODEL",,,2,,,,,,,,,  
12,2,,172124-03150,, "LABEL, STRIPE (A)",,1,,1,,,,,,,,,  
13,2,,172124-03160,, "LABEL, STRIPE (B)",,1,,1,,,,,,,,,  
14,2,,172124-03170,, "LABEL, STRIPE (C)",,1,,1,,,,,,,,,  
14-1,2,,172124-03300,, "LABEL, STRIPE (C)",,1,,1,,S,,,,,M20501,,,,,M20501  
14-2,2,,172124-03301,, "LABEL,STRIPE C",,1,,1,,S,,,,,\*1989.01,,,,,\*1989.01  
15,2,,172124-03180,, "LABEL, STRIPE (D)",,1,,1,,,,,,,,,  
16,2,,172124-03190,, "LABEL, STRIPE (E)",,1,,1,,,,,,,,,  
17,2,,172124-03200,, "LABEL, STRIPE (F)",,1,,1,,,,,,,,,  
18,2,,172124-03210,, "LABEL, STRIPE (G)",,1,,1,,,,,,,,,  
19,2,,172124-03220,, "LABEL, STRIPE (H)",,1,,1,,,,,,,,,  
20,2,,172124-03230,, "LABEL,YANMAR 1000",,1,,,,,,,,,  
20-1,2,,172312-03281,, "LABEL, BUMPER",,1,,,,,R,,,,,\*1987.10,,,,,  
21,2,,933112-23600,, "LABEL(A),OPERATION",,1,,1,,,,,,,,,  
22,2,,172122-03360,, "LABEL, STRIPE (LF2)",,1,,1,,,,,,,,,  
22-1,2,,172135-03200,, "LABEL, STRIPE (LF2)",,1,,1,,S,,,,,M20501,,,,,M20501  
22-2,2,,172135-03201,, "LABEL, STRIPE (LF2)",,1,,1,,S,,,,,\*1989.01,,,,,\*1989.01  
23,2,,172122-03380,, "LABEL, STRIPE (LF1)",,1,,1,,,,,,,,,  
24,2,,172122-03410,, "LABEL, STRIPE (RF1)",,1,,1,,,,,,,,,  
25,2,,121470-44540,, "LABEL, SUB-TANK",,1,,1,,,,,,,,,  
26,2,,933112-45000,, "LABEL, DANGER",,1,,1,,,,,,,,,  
27,2,,933112-47500,, "LABEL,,1,,1,,,,,,,,,  
28,2,,933112-50200,, "LABEL,,1,,1,,,,,,,,,  
29,2,,933112-52000,, "LABEL, FUEL",,1,,1,,,,,,,,,  
29-1,2,,933112-52400,, "LABEL, FUEL",,1,,1,,R,,,,\*1988.04,,,,,\*1988.04  
30,2,,933112-91400,, "LABEL, YANMAR",,2,,2,,,,,,,,,  
30-1,2,,172124-03310,, "LABEL, YANMAR (L)",,1,,1,,S,,,,\*1987.10,,,,,\*1987.10  
30A,2,,172124-03320,, "LABEL, YANMAR (R)",,1,,1,,W,,,,\*1987.10,,,,,\*1987.10  
31,2,,933112-94100,, "LABEL, TURBO",,1,,1,,,,,,,,,  
32,2,,933112-94200,, "LABEL, TURBO",,1,,1,,,,,,,,,  
33,2,,933112-94300,, "LABEL, SALOON",,1,,1,,Z,,,,,M20501,,,,,M20501  
34,2,,933112-92200,, "LABEL, SSS MARK",,2,,2,,Z,,,,,M10501,,,,,M10501  
35,2,,172122-03250,, "LABEL, NO.1 MARK",,1,,1,,W,,,,,M10501,,,,,M10501  
35-1,2,,172122-03250,, "LABEL, NO.1 MARK",,1,,1,,Z,,,,\*1986.05,,,,,\*1986.05  
36,2,,172122-03260,, "LABEL, NO.1 MARK",,1,,1,,W,,,,,M10501,,,,,M10501  
36-1,2,,172122-03260,, "LABEL, NO.1 MARK",,2,,2,,K,,,,\*1986.05,,,,,\*1986.05  
36-2,2,,172122-03260,, "LABEL, NO.1 MARK",,1,,1,,K,,,,,M20501,,,,,M20501  
37,2,,172135-03220,, "LABEL, CAB.DOOR",,1,,1,,W,,,,,M20501,,,,,M20501  
38,2,,172124-03270,, "LABEL, SEAL (B)",,1,,1,,W,,,,,M20501,,,,,M20501  
38-1,2,,172124-03271,, "LABEL,SEAL B",,1,,1,,S,,,,\*1989.01,,,,,\*1989.01  
39,2,,172137-03290,, "LABEL, NO.1 MARK",,1,,1,,W,,,,,M20501,,,,,M20501  
42,1,,772132-03100,, "LABEL SET",,1,,,,,,,,,  
42-1,1,,772132-03101,, "LABEL SET",,1,,,,,S,,,,,M20501,,,,,  
43,1,,772133-03100,, "LABEL SET",,,,,,1,,,,,,,,,  
43-1,1,,772133-03101,, "LABEL SET",,,,,,1,,S,,,,,,M20501  
44,2,,172132-03100,, "LABEL, SPECIFICATION",,1,,,,,,,,,  
44-1,2,,172132-03101,, "LABEL, SPECIFICATION",,1,,,,,S,,,,,M20501,,,,,  
45,2,,172133-03100,, "LABEL, SPECIFICATION",,,,,,1,,,,,,,,,  
45-1,2,,172133-03101,, "LABEL, SPECIFICATION",,,,,,1,,S,,,,,,M20501  
46,2,,172122-03120,, "LABEL, GREASE",,1,,1,,,,,,,,,

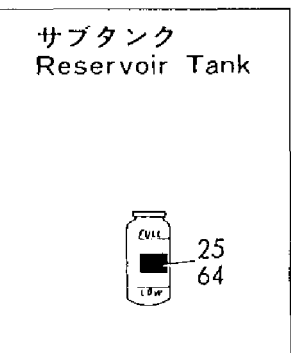
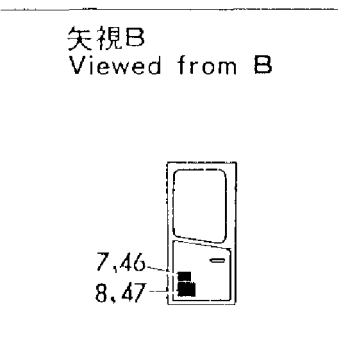
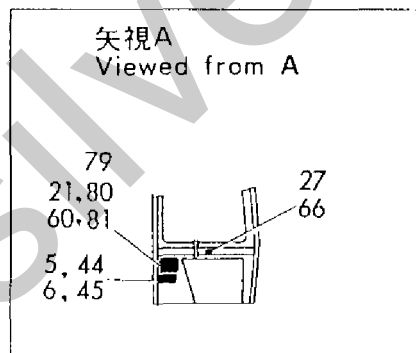
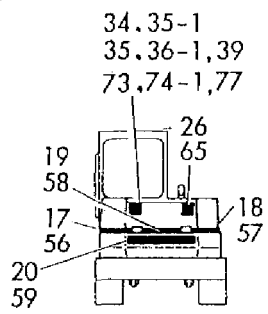
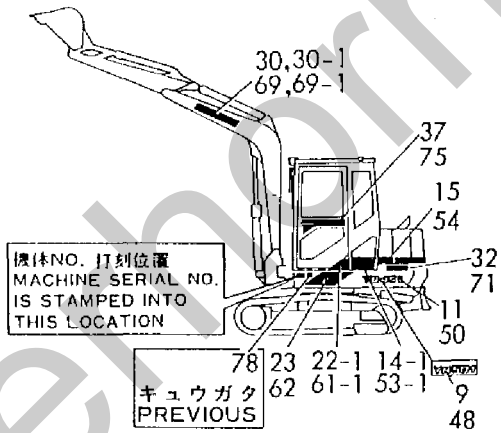
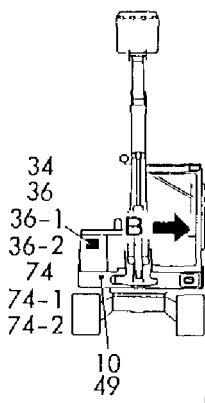
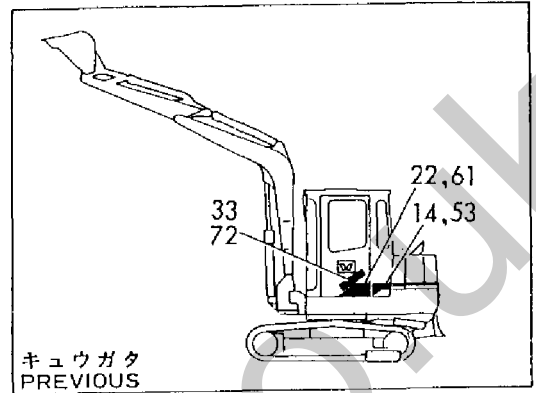
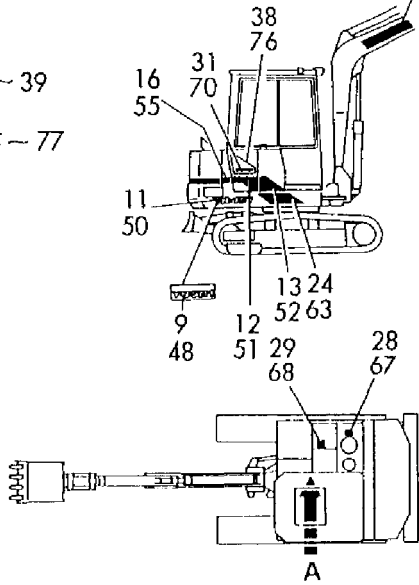
47,2,,172124-03120,,LABEL,,1,,1,,,,,,,,,,,,,  
 48,2,,172133-03110,, "LABEL,MODEL YB501U" ,,,,,,2,,,,,,,,,,,,,  
 49,2,,172122-03141,, "LABEL, GREASE" ,,,1,,1,,,,,,,,,,,,,  
 50,2,,172132-03110,, "LABEL,MODEL YB451U" ,,,2,,,,,,,,,,,,,  
 51,2,,172124-03150,, "LABEL, STRIPE (A)" ,,,1,,1,,,,,,,,,,,,,  
 52,2,,172124-03160,, "LABEL, STRIPE (B)" ,,,1,,1,,,,,,,,,,,,,  
 53,2,,172124-03170,, "LABEL, STRIPE (C)" ,,,1,,1,,,,,,,,,,,,,  
 53-1,2,,172124-03300,, "LABEL, STRIPE (C)" ,,,1,,1,S,,,,,M20501,,,,,M20501  
 53-2,2,,172124-03301,, "LABEL, STRIPE C" ,,,1,,1,S,,,,,\*1989.01,,,,,\*1989.01  
 54,2,,172124-03180,, "LABEL, STRIPE (D)" ,,,1,,1,,,,,,,,,,,,,  
 55,2,,172124-03190,, "LABEL, STRIPE (E)" ,,,1,,1,,,,,,,,,,,,,  
 56,2,,172124-03200,, "LABEL, STRIPE (F)" ,,,1,,1,,,,,,,,,,,,,  
 57,2,,172124-03210,, "LABEL, STRIPE (G)" ,,,1,,1,,,,,,,,,,,,,  
 58,2,,172124-03220,, "LABEL, STRIPE (H)" ,,,1,,1,,,,,,,,,,,,,  
 59,2,,172124-03230,, "LABEL,YANMAR 1000" ,,,1,,,,,,,,,,,,,  
 59-1,2,,172312-03281,, "LABEL, BUMPER" ,,,1,,,,,R,,,,,\*1987.10,,,,,  
 60,2,,933112-23600,, "LABEL(A),OPERATION" ,,,1,,1,,,,,,,,,,,,,  
 61,2,,172122-03360,, "LABEL, STRIPE (LF2)" ,,,1,,1,,,,,,,,,,,,,  
 61-1,2,,172135-03200,, "LABEL, STRIPE (LF2)" ,,,1,,1,S,,,,,M20501,,,,,M20501  
 61-2,2,,172135-03201,, "LABEL, STRIPE (LF2)" ,,,1,,1,S,,,,,\*1989.01,,,,,\*1989.01  
 62,2,,172122-03380,, "LABEL, STRIPE (LF1)" ,,,1,,1,,,,,,,,,,,,,  
 63,2,,172122-03410,, "LABEL, STRIPE (RF1)" ,,,1,,1,,,,,,,,,,,,,  
 64,2,,121470-44540,, "LABEL, SUB-TANK" ,,,1,,1,,,,,,,,,,,,,  
 65,2,,933112-45000,, "LABEL, DANGER" ,,,1,,1,,,,,,,,,,,,,  
 66,2,,933112-47500,, LABEL,,1,,1,,,,,,,,,,,,,  
 67,2,,933112-50200,, LABEL,,1,,1,,,,,,,,,,,,,  
 68,2,,933112-52000,, "LABEL, FUEL" ,,,1,,1,,,,,,,,,,,,,  
 68-1,2,,933112-52400,, "LABEL, FUEL" ,,,1,,1,R,,,,,\*1988.04,,,,,\*1988.04  
 69,2,,933112-91400,, "LABEL, YANMAR" ,,,2,,2,,,,,,,,,,,,,  
 69-1,2,,172124-03310,, "LABEL, YANMAR (L)" ,,,1,,1,S,,,,,\*1987.10,,,,,\*1987.10  
 69A,2,,172124-03320,, "LABEL, YANMAR (R)" ,,,1,,1,W,,,,,\*1987.10,,,,,\*1987.10  
 70,2,,933112-94100,, "LABEL, TURBO" ,,,1,,1,,,,,,,,,,,,,  
 71,2,,933112-94200,, "LABEL, TURBO" ,,,1,,1,,,,,,,,,,,,,  
 72,2,,933112-94300,, "LABEL, SALOON" ,,,1,,1,Z,,,,,M20501,,,,,M20501  
 73,2,,172122-03250,, "LABEL, NO.1 MARK" ,,,1,,1,Z,,,,,M00824,,,,,\*1986.05  
 74,2,,172122-03260,, "LABEL, NO.1 MARK" ,,,1,,1,,,,,,,,,,,,,  
 74-1,2,,172122-03260,, "LABEL, NO.1 MARK" ,,,2,,2,K,,,,,M00824,,,,,\*1986.05  
 74-2,2,,172122-03260,, "LABEL, NO.1 MARK" ,,,1,,1,K,,,,,M20501,,,,,M20501  
 75,2,,172135-03220,, "LABEL, CAB.DOOR" ,,,1,,1,W,,,,,M20501,,,,,M20501  
 76,2,,172124-03270,, "LABEL, SEAL (B)" ,,,1,,1,W,,,,,M20501,,,,,M20501  
 76-1,2,,172124-03271,, "LABEL, SEAL B" ,,,1,,1,S,,,,,\*1989.01,,,,,\*1989.01  
 77,2,,172137-03290,, "LABEL, NO.1 MARK" ,,,1,,1,W,,,,,M20501,,,,,M20501  
 78,1,,172122-03240,, "LABEL, R EXPRESSION" ,,,1,,1,Z,,,,,M20648,,,,,M20527  
 79,1,,933112-23400,, "LABEL(B),OPERATION" ,,,1,,1,,,,,,,,,,,,,  
 80,1,,933112-23500,, "LABEL(C),OPERATION" ,,,1,,1,,,,,,,,,,,,,  
 81,1,,933112-23700,, "LABEL(D),OPERATION" ,,,1,,1,,,,,,,,,,,,,

SPEC. CODE  
 D72124-03100 D72122-03140  
 D72125-03100 D72122-03150  
 D72132-03100 D72122-03160  
 D72133-03100 D72122-03170  
 D72124-03130 D72132-03200  
 D72125-03130 D72133-03200

Fig. 2 メイバン(キャビン)  
 LABEL (CABIN SPEC.)

COUNTRY	J	P	NW	S	W	G	F	A	D	M	N	L	30,30A 69,69A
Fig. No.	2	4	3	5	4	5	5						

3 inc. 5~39  
 4 inc. 6  
 42 inc. 44  
 43 inc. 45~77



3,1,,772124-03700,, "LABEL SET" ,,,1,,,,,,,,,,,,,  
3-1,1,,772124-03701,, "LABEL SET" ,,,1,,,,,S,,,,,,\*1986.06,,,,,  
4,1,,772125-03700,, "LABEL SET" ,,,,,,1,1,,,,,,,,,,,,,  
4-1,1,,772125-03701,, "LABEL SET" ,,,,,,1,1,S,,,,,,M50017,,M50017  
5,2,,172124-03140,, "LABEL,MODEL" ,,,,,,2,,,,,,,,,,,,,  
6,2,,172125-03120,, "LABEL,MODEL" ,,,,,,2,2,,,,,,,,,,,,,  
7,2,,172124-03150,, "LABEL, STRIPE (A)" ,,,1,,1,1,,,,,,,,,,,,,  
8,2,,172124-03160,, "LABEL, STRIPE (B)" ,,,1,,1,1,,,,,,,,,,,,,  
9,2,,172124-03170,, "LABEL, STRIPE (C)" ,,,1,,1,1,,,,,,,,,,,,,  
10,2,,172124-03180,, "LABEL, STRIPE (D)" ,,,1,,1,1,,,,,,,,,,,,,  
11,2,,172124-03190,, "LABEL, STRIPE (E)" ,,,1,,1,1,,,,,,,,,,,,,  
12,2,,172124-03200,, "LABEL, STRIPE (F)" ,,,1,,1,1,,,,,,,,,,,,,  
13,2,,172124-03210,, "LABEL, STRIPE (G)" ,,,1,,1,1,,,,,,,,,,,,,  
14,2,,172124-03220,, "LABEL, STRIPE (H)" ,,,1,,1,1,,,,,,,,,,,,,  
15,2,,172122-03360,, "LABEL, STRIPE (LF2)" ,,,1,,1,1,,,,,,,,,,,,,  
16,2,,172122-03380,, "LABEL, STRIPE (LF1)" ,,,1,,1,1,,,,,,,,,,,,,  
17,2,,172122-03410,, "LABEL, STRIPE (RF1)" ,,,1,,1,1,,,,,,,,,,,,,  
18,2,,172124-03410,, "LABEL, SPECIFICATION" ,,,1,,1,1,,,,,,,,,,,,,  
19,2,,172125-03410,, "LABEL, SPECIFICATION" ,,,,,,1,1,,,,,,,,,,,,,  
19-1,2,,172125-03810,, "LABEL, SPECIFICATION" ,,,,,,1,1,S,,,,,,M50017,,M50017  
20,2,,172124-03420,, "LABEL, OIL/WATER" ,,,1,,1,1,,,,,,,,,,,,,  
20-1,2,,172125-03820,, "LABEL, OIL/WATER" ,,,,,,1,1,S,,,,,,M50017,,M50017  
21,2,,172116-03670,, "LABEL, START CAUTION" ,,,1,,1,1,,,,,,,,,,,,,  
21-1,2,,933112-47800,, "LABEL, RESTARTING" ,,,,,,1,1,S,,,,,,M50017,,M50017  
22,2,,172122-03730,, "LABEL, GREASE SUPPLY" ,,,1,,1,1,,,,,,,,,,,,,  
22-1,2,,172122-03960,, "LABEL, WATER/OIL FEED" ,,,,,,1,1,S,,,,,,M50017,,M50017  
23,2,,172122-03740,, "LABEL, GREASE" ,,,1,,1,1,,,,,,,,,,,,,  
23-1,2,,172138-03750,, "LABEL, GREASE" ,,,,,,1,1,S,,,,,,M50017,,M50017  
24,2,,124764-44810,, "LABEL, SUB-TANK" ,,,1,,1,1,,,,,,,,,,,,,  
24-1,2,,933112-55700,, "LABEL, SUB-TANK" ,,,,,,1,1,S,,,,,,M50017,,M50017  
25,2,,22857-300050,, "SCREW 3X 5" ,,,4,,4,4,,,,,,,,,,,,,  
26,2,,933112-45100,, "LABEL, CAUTION" ,,,1,,1,1,,,,,,,,,,,,,  
26-1,2,,933112-45300,, "LABEL, DANGER (A)" ,,,,,,1,1,S,,,,,,M50017,,M50017  
27,2,,933112-50300,, "LABEL, OIL FEED" ,,,1,,1,1,,,,,,,,,,,,,  
27-1,2,,933112-50700,, "LABEL, OIL FEED" ,,,,,,1,1,S,,,,,,M50017,,M50017  
28,2,,933112-52100,, "LABEL, FUEL" ,,,1,,1,1,,,,,,,,,,,,,  
28-1,2,,933112-52500,, "LABEL, FUEL" ,,,,,,1,1,S,,,,,,M50017,,M50017  
29,2,,933112-91400,, "LABEL, YANMAR" ,,,,,,2,2,2,,,,,,,,,,,,,  
29-1,2,,172124-03310,, "LABEL, YANMAR  
(L)" ,,,1,,1,1,S,,,,,,M60501,,,,,M60501,,M60501  
30,2,,933112-92200,, "LABEL, SSS MARK" ,,,2,,2,2,Z,,,,,,M50001,,,,,M50001,,M50001  
31,2,,933112-94100,, "LABEL, TURBO" ,,,1,,1,1,,,,,,,,,,,,,  
32,2,,933112-94200,, "LABEL, TURBO" ,,,1,,1,1,,,,,,,,,,,,,  
33,2,,933112-94300,, "LABEL, SALOON" ,,,1,,1,1,,,,,,,,,,,,,  
34,2,,124064-44920,, "LABEL, RADIATOR" ,,,1,,1,1,,,,,,,,,,,,,  
34-1,2,,933112-55800,, "LABEL, RADIATER" ,,,,,,1,1,S,,,,,,M50017,,M50017  
35,2,,124764-44920,, "LABEL, ANTI-FREEZING" ,,,1,,1,1,,,,,,,,,,,,,  
35-1,2,,933112-55900,, "LABEL, ANTI-FREEZING" ,,,,,,1,1,S,,,,,,M50017,,M50017  
36,2,,933112-54001,, "LABEL, AIR CLEANER" ,,,1,,1,1,,,,,,,,,,,,,  
36-1,2,,933112-54300,, "LABEL, AIR CLEANER" ,,,,,,1,1,S,,,,,,M50017,,M50017  
37,2,,172122-03250,, "LABEL, NO.1 MARK" ,,,1,,1,1,W,,,,,,M50001,,,,,M50001,,M50001  
37-1,2,,172122-03250,, "LABEL, NO.1  
MARK" ,,,1,,1,1,Z,,,,,,\*1986.06,,,,,\*1986.06,,\*1986.06  
38,2,,172122-03260,, "LABEL, NO.1 MARK" ,,,1,,1,1,W,,,,,,M50001,,,,,M50001,,M50001  
38-1,2,,172122-03260,, "LABEL, NO.1  
MARK" ,,,2,,2,2,K,,,,,,\*1986.06,,,,\*1986.06,,\*1986.06  
39,2,,172124-03230,, "LABEL, YANMAR 1000" ,,,1,,,,,,,,,,,,,  
39-1,2,,172312-03281,, "LABEL, BUMPER" ,,,1,,,,,R,,,,,,\*1987.10,,,,,  
40,2,,172124-03260,, "LABEL, SEAL(A)" ,,,1,,1,1,W,,,,,,M60501,,,,,M60501,,M60501  
40-1,2,,172124-03261,, "LABEL, SEAL  
A" ,,,,,,1,1,S,,,,,,\*1989.01,,,,\*1989.01  
41,2,,172124-03270,, "LABEL, SEAL (B)" ,,,1,,1,1,W,,,,,,M60501,,,,,M60501,,M60501

41-1,2,,172124-03271,, "LABEL, SEAL  
B" ,,,1,,1,1,S,,,,,,\*1989.01,,,,\*1989.01,,\*1989.01  
42,2,,172122-03610,, "LABEL, SEAL(A)" ,,,1,,1,1,W,,,,,,M60501,,,,M60501,,M60501  
42-1,2,,172122-03611,, "LABEL, SEAL  
A" ,,,1,,1,1,S,,,,,,\*1989.01,,,,\*1989.01,,\*1989.01  
43,2,,933112-45400,, "LABEL, DANGER (B)" ,,,,,1,1,W,,,,,,M50017,,M50017  
44,2,,172124-03320,, "LABEL, YANMAR  
(R)" ,,,1,,1,1,W,,,,,,\*1987.09,,,,\*1987.09,,\*1987.09  
45,2,,933112-23600,, "LABEL(A), OPERATION" ,,,,,1,,,,,,,,,,,,,  
46,1,,933112-23400,, "LABEL(B), OPERATION" ,,,1,,1,,,,,,,,,,,,,  
47,1,,933112-23500,, "LABEL(C), OPERATION" ,,,1,,1,,,,,,,,,,,,,  
48,1,,933112-23700,, "LABEL(D), OPERATION" ,,,1,,1,,,,,,,,,,,,,

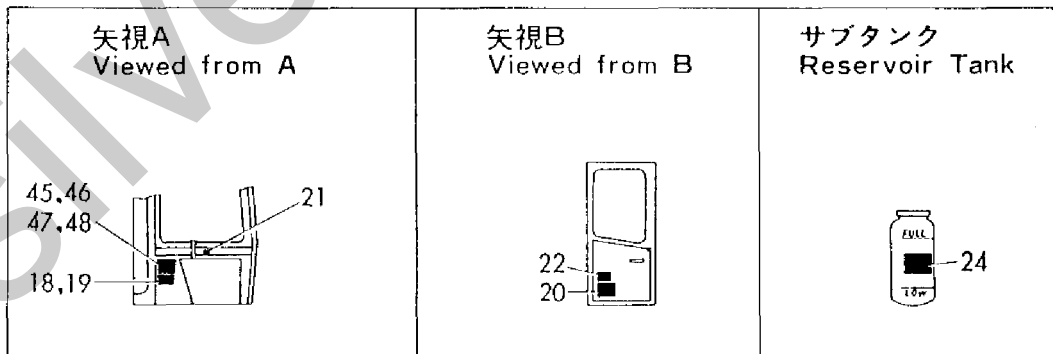
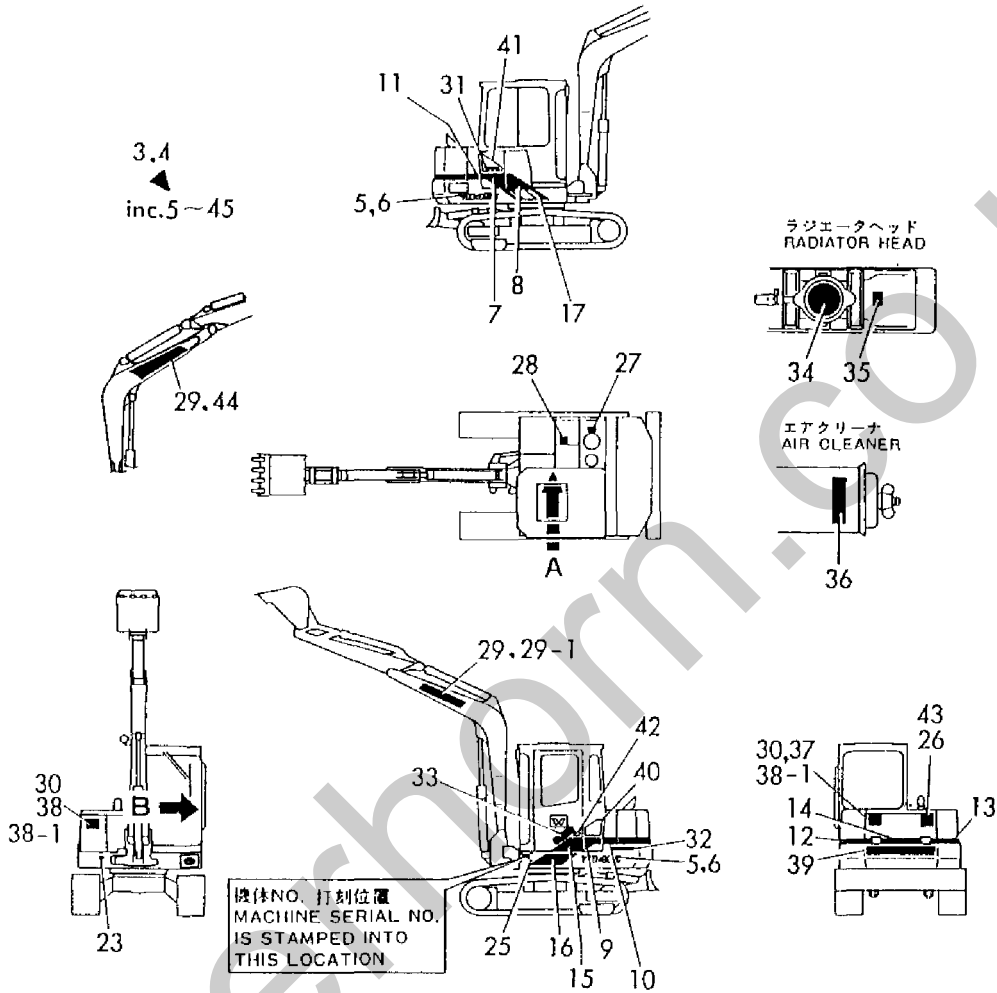
Silverhorn.CO.UK



Fig. 3 メイバン(キャビン)  
LABEL (CABIN SPEC.)

SPEC. CODE  
D72122-03140  
D72122-03150  
D72122-03160  
D72122-03170  
D72124-03700  
D72125-03701

COUNTRY	J	P	N	W	S	W	G	F	A	D	M	N	L
Fig.No.	2	4	3	5	4	5	4	5	5	5	5	5	5



3,1,,772124-03720,, "LABEL SET",,1,,,,,,,,,,,,,  
4,1,,772125-03720,, "LABEL SET",,,,,,1,,,,,,,,,,,,,  
4-1,1,,772125-03721,, "LABEL SET",,,,,,1,,S,,,,,,,,,,,,,M50017  
5,2,,172124-03140,, "LABEL,MODEL",,,2,,,,,,,,,,,,,  
6,2,,172125-03120,, "LABEL,MODEL",,,,,,2,,,,,,,,,,,,,  
7,2,,172124-03150,, "LABEL, STRIPE (A)",,1,,1,,,,,,,,,,,,,  
8,2,,172124-03160,, "LABEL, STRIPE (B)",,1,,1,,,,,,,,,,,,,  
9,2,,172124-03170,, "LABEL, STRIPE (C)",,1,,1,,,,,,,,,,,,,  
10,2,,172124-03180,, "LABEL, STRIPE (D)",,1,,1,,,,,,,,,,,,,  
11,2,,172124-03190,, "LABEL, STRIPE (E)",,1,,1,,,,,,,,,,,,,  
12,2,,172124-03200,, "LABEL, STRIPE (F)",,1,,1,,,,,,,,,,,,,  
13,2,,172124-03210,, "LABEL, STRIPE (G)",,1,,1,,,,,,,,,,,,,  
14,2,,172124-03220,, "LABEL, STRIPE (H)",,1,,1,,,,,,,,,,,,,  
15,2,,172122-03360,, "LABEL, STRIPE (LF2)",,1,,1,,,,,,,,,,,,,  
16,2,,172122-03380,, "LABEL, STRIPE (LF1)",,1,,1,,,,,,,,,,,,,  
17,2,,172122-03410,, "LABEL, STRIPE (RF1)",,1,,1,,,,,,,,,,,,,  
18,2,,172124-03700,, "LABEL, SPECIFICATION",,1,,,,,,,,,,,,,  
19,2,,172125-03460,, "LABEL, SPECIFICATION",,,,,,1,,,,,,,,,,,,,  
19-1,2,,172125-03810,, "LABEL, SPECIFICATION",,,,,,1,,S,,,,,,,,,,,,,M50017  
20,2,,172124-03420,, "LABEL, OIL/WATER",,1,,,,,,,,,,,,,  
21,2,,172124-03450,, "LABEL, OIL & WATER",,,,,,1,,,,,,,,,,,,,  
21-1,2,,172125-03820,, "LABEL, OIL/WATER",,,,,,1,,S,,,,,,,,,,,,,MXXXXXX  
22,2,,172116-03670,, "LABEL, START CAUTION",,1,,,,,,,,,,,,,  
23,2,,933112-47600,, "LABEL, START CAUTION",,,,,,1,,,,,,,,,,,,,  
23-1,2,,933112-47800,, "LABEL, RESTARTING",,,,,,1,,S,,,,,,,,,,,,,M50017  
24,2,,172122-03730,, "LABEL, GREASE SUPPLY",,1,,,,,,,,,,,,,  
25,2,,172122-03800,, "LABEL, GREASE SUPPLY",,,,,,1,,,,,,,,,,,,,  
26,2,,172122-03740,, "LABEL, GREASE",,1,,,,,,,,,,,,,  
27,2,,172122-03790,, "LABEL, GREASE",,,,,,1,,,,,,,,,,,,,  
27-1,2,,172138-03750,, "LABEL, GREASE",,,,,,1,,S,,,,,,,,,,,,,M50017  
28,2,,124764-44810,, "LABEL, SUB-TANK",,1,,,,,,,,,,,,,  
29,2,,933112-55100,, "LABEL, UB-TANK",,,,,,1,,,,,,,,,,,,,  
29-1,2,,933112-55700,, "LABEL, SUB-TANK",,,,,,1,,S,,,,,,,,,,,,,M50017  
30,2,,22857-300050,, "SCREW 3X 5",,4,,4,,,,,,,,,,,,,  
31,2,,933112-45100,, "LABEL, CAUTION",,1,,,,,,,,,,,,,  
32,2,,933112-45300,, "LABEL, DANGER (A)",,,,,,1,,,,,,,,,,,,,  
33,2,,933112-45400,, "LABEL, DANGER (B)",,,,,,1,,,,,,,,,,,,,  
34,2,,933112-50300,, "LABEL, OIL FEED",,1,,,,,,,,,,,,,  
35,2,,933112-50400,, "LABEL, OIL FEED",,,,,,1,,,,,,,,,,,,,  
35-1,2,,933112-50700,, "LABEL, OIL FEED",,,,,,1,,S,,,,,,,,,,,,,M50017  
36,2,,933112-52100,, "LABEL, FUEL",,1,,,,,,,,,,,,,  
37,2,,933112-52200,, "LABEL, FUEL",,,,,,1,,,,,,,,,,,,,  
37-1,2,,933112-52500,, "LABEL, FUEL",,,,,,1,,S,,,,,,,,,,,,,M50017  
38,2,,933112-91400,, "LABEL, YANMAR",,2,,2,,,,,,,,,,,,,  
38-1,2,,172124-03310,, "LABEL, YANMAR (L)",,1,,1,,S,,,,,\*1987.09,,,,,\*1987.09  
39,2,,933112-94100,, "LABEL, TURBO",,1,,1,,,,,,,,,,,,,  
40,2,,933112-94200,, "LABEL, TURBO",,1,,1,,,,,,,,,,,,,  
41,2,,933112-94300,, "LABEL, SALOON",,1,,1,,,,,,,,,,,,,  
42,2,,172124-03230,, "LABEL, YANMAR 1000",,1,,,,,,,,,,,,,  
42-1,2,,172312-03281,, "LABEL, BUMPER",,1,,,,,S,,,,\*1987.09,,,,,  
43,2,,172122-03250,, "LABEL, NO.1 MARK",,1,,1,,Z,,,,\*1986.06,,,,,\*1986.06  
44,2,,172122-03260,, "LABEL, NO.1 MARK",,1,,1,,,,,,,,,,,,,  
44-1,2,,172122-03260,, "LABEL, NO.1 MARK",,2,,2,,K,,,,\*1986.06,,,,,\*1986.06  
45,2,,124064-44920,, "LABEL, RADIATOR",,1,,,,,,,,,,,,,  
46,2,,933112-55200,, "LABEL, RADIATOR",,,,,,1,,,,,,,,,,,,,  
46-1,2,,933112-55800,, "LABEL, RADIATER",,,,,,1,,S,,,,,,,,,,,,,M50017  
47,2,,124764-44920,, "LABEL, ANTI-FREEZING",,1,,,,,,,,,,,,,  
48,2,,933112-55300,, "LABEL, ANTI-FREEZING",,,,,,1,,,,,,,,,,,,,  
48-1,2,,933112-55900,, "LABEL, ANTI-FREEZING",,,,,,1,,S,,,,,,,,,,,,,M50017  
49,2,,933112-54001,, "LABEL, AIR CLEANER",,1,,,,,,,,,,,,,  
50,2,,933112-54010,, "LABEL, AIR CLEANER",,,,,,1,,,,,,,,,,,,,  
50-1,2,,933112-54300,, "LABEL, AIR CLEANER",,,,,,1,,S,,,,,,,,,,,,,M50017  
51,2,,933112-45500,, "LABEL, CAUTION",,,,,,2,,,,,,,,,,,,,

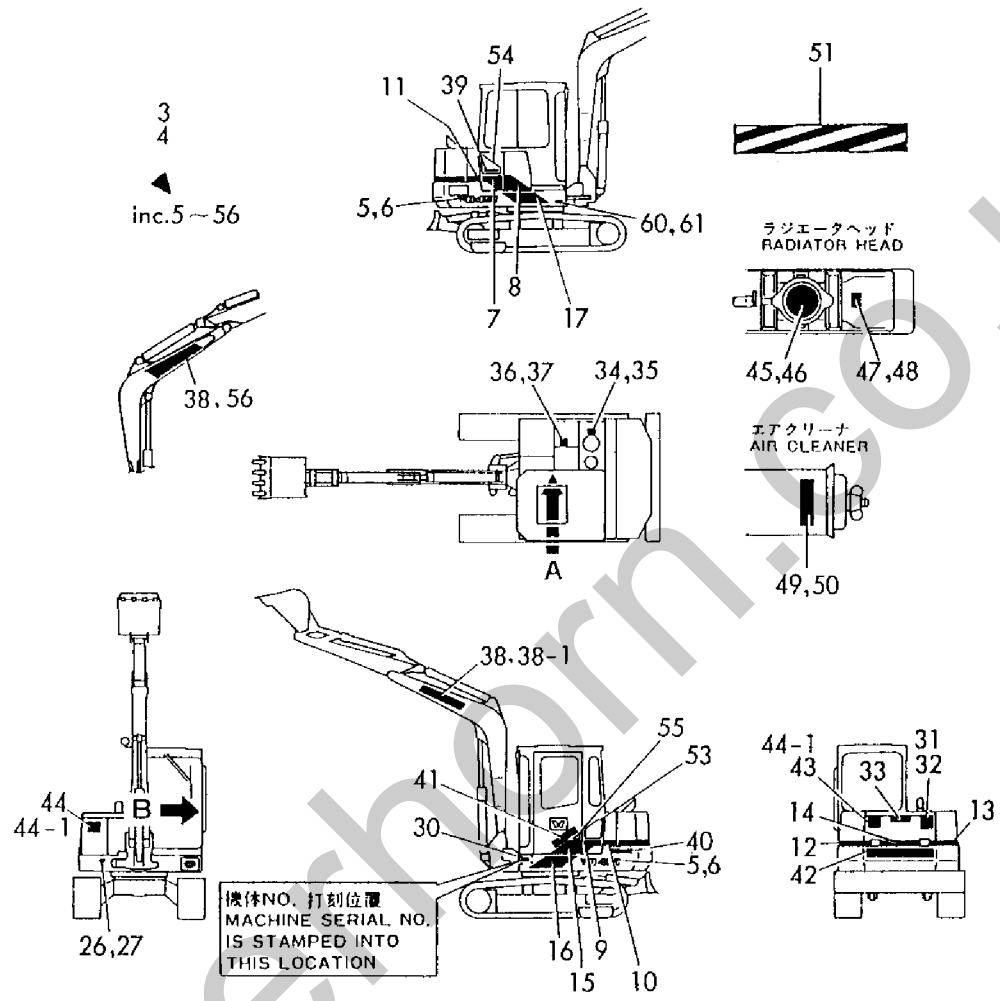
52,2,,933112-23600,, "LABEL(A),OPERATION" ,1,,1,,,,,,,,,  
53,2,,172124-03260,, "LABEL, SEAL(A)" ,1,,1,W,,,,,M60501,,,,,M60501  
53-1,2,,172124-03261,, "LABEL,SEAL A" ,1,,1,S,,,,,\*1989.01,,,,,\*1989.01  
54,2,,172124-03270,, "LABEL, SEAL (B)" ,1,,1,W,,,,,M60501,,,,,M60501  
54-1,2,,172124-03271,, "LABEL,SEAL B" ,1,,1,S,,,,,\*1989.01,,,,,\*1989.01  
55,2,,172122-03610,, "LABEL, SEAL(A)" ,1,,1,W,,,,,M60501,,,,,M60501  
55-1,2,,172122-03611,, "LABEL,SEAL A" ,1,,1,S,,,,,\*1989.01,,,,,\*1989.01  
56,2,,172124-03320,, "LABEL, YANMAR (R)" ,1,,1,W,,,,,\*1987.09,,,,,\*1987.09  
57,1,,933112-23400,, "LABEL(B),OPERATION" ,1,,1,,,,,,,,,  
58,1,,933112-23500,, "LABEL(C),OPERATION" ,1,,1,,,,,,,,,  
59,1,,933112-23700,, "LABEL(D),OPERATION" ,1,,1,,,,,,,,,  
60,1,,194340-65580,, LABEL,,,,,1,,,,,,,,,  
61,1,,22857-300050,, "SCREW 3X 5" ,,,,,1,,,,,,,,,

Silverhorn.CO.UK

Fig. 4 メイバン (キャビン)  
LABEL (CABIN SPEC.)

SPEC. CODE  
D72122-03140  
D72122-03150  
D72122-03160  
D72122-03170  
D72124-03720  
D72125-03721

COUNTRY	J	P	N	S	W	W	G	F	A	D	M	N	L
Fig.No.	2	4	3	5	4	5	5						



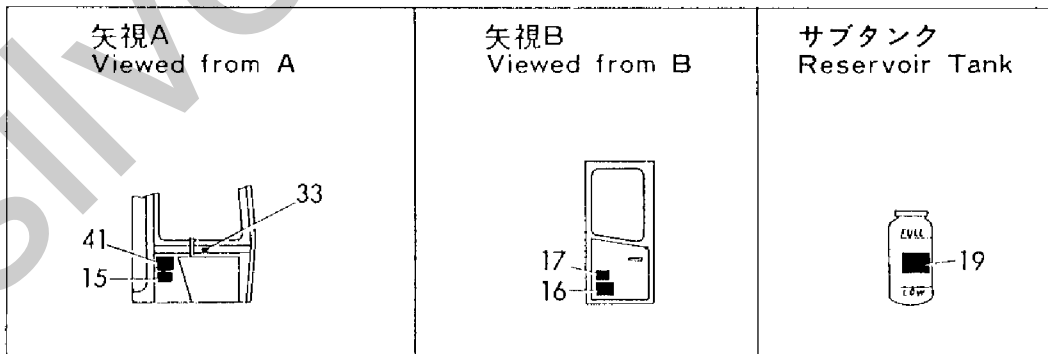
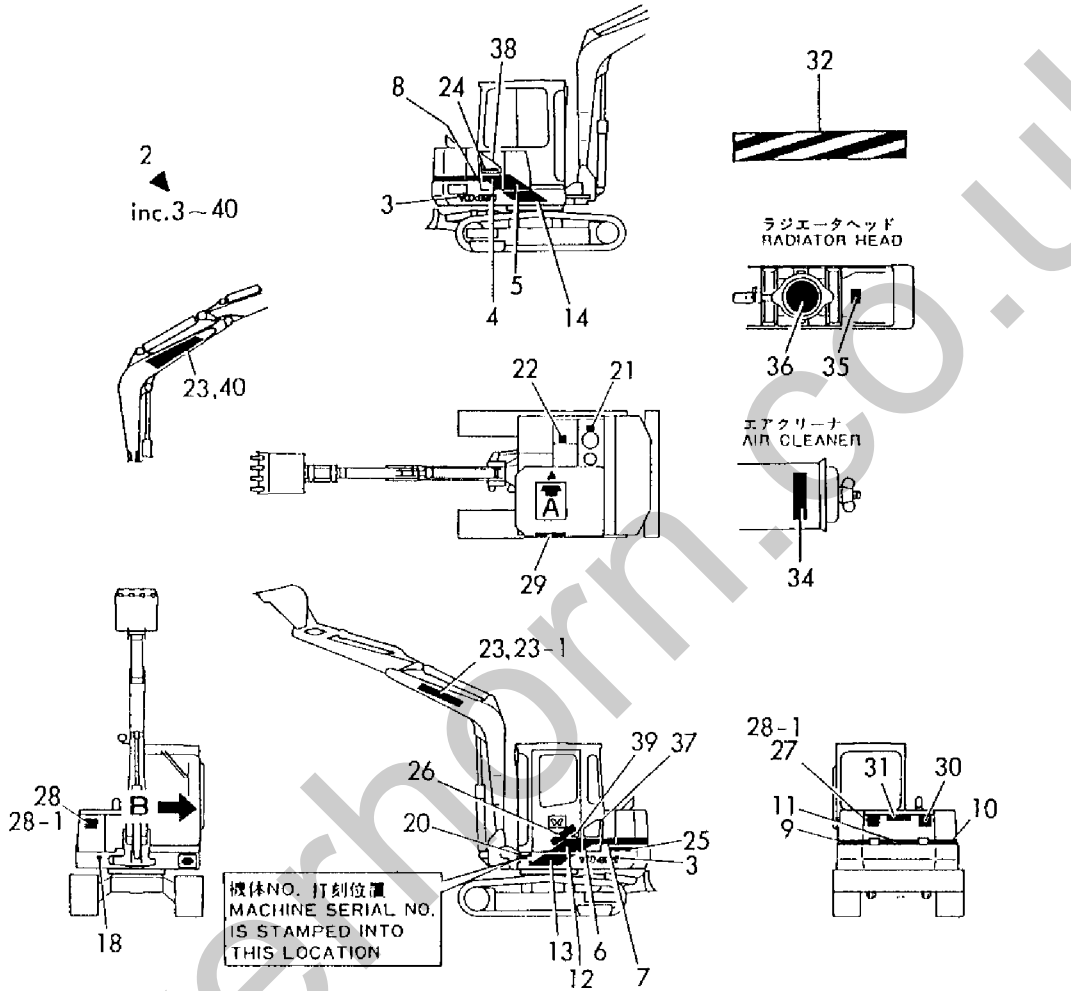
<p>矢視A Viewed from A</p>	<p>矢視B Viewed from B</p>	<p>サブタンク Reservoir Tank</p>
------------------------------	------------------------------	---------------------------------

2,1,,772125-03730,, "LABEL SET",,,,,,1,,,,,,,,,,,,,  
2-1,1,,772125-03731,, "LABEL SET",,,,,,1,S,,,,,,,,,,,,,M50017  
3,2,,172125-03120,, "LABEL,MODEL",,,,,,2,,,,,,,,,,,,,  
4,2,,172124-03150,, "LABEL, STRIPE (A)",,,,,,1,,,,,,,,,,,,,  
5,2,,172124-03160,, "LABEL, STRIPE (B)",,,,,,1,,,,,,,,,,,,,  
6,2,,172124-03170,, "LABEL, STRIPE (C)",,,,,,1,,,,,,,,,,,,,  
7,2,,172124-03180,, "LABEL, STRIPE (D)",,,,,,1,,,,,,,,,,,,,  
8,2,,172124-03190,, "LABEL, STRIPE (E)",,,,,,1,,,,,,,,,,,,,  
9,2,,172124-03200,, "LABEL, STRIPE (F)",,,,,,1,,,,,,,,,,,,,  
10,2,,172124-03210,, "LABEL, STRIPE (G)",,,,,,1,,,,,,,,,,,,,  
11,2,,172124-03220,, "LABEL, STRIPE (H)",,,,,,1,,,,,,,,,,,,,  
12,2,,172122-03360,, "LABEL, STRIPE (LF2)",,,,,,1,,,,,,,,,,,,,  
13,2,,172122-03380,, "LABEL, STRIPE (LF1)",,,,,,1,,,,,,,,,,,,,  
14,2,,172122-03410,, "LABEL, STRIPE (RF1)",,,,,,1,,,,,,,,,,,,,  
15,2,,172125-03710,, "LABEL, SPECIFICATION",,,,,,1,,,,,,,,,,,,,  
15-1,2,,172125-03810,, "LABEL, SPECIFICATION",,,,,,1,S,,,,,,,,,,,,,M50017  
16,2,,172125-03720,, "LABEL, OIL & WATER",,,,,,1,,,,,,,,,,,,,  
16-1,2,,172125-03820,, "LABEL, OIL/WATER",,,,,,1,S,,,,,,,,,,,,,M50017  
17,2,,172122-03890,, "LABEL, GREASE SUPPLY",,,,,,1,,,,,,,,,,,,,  
17-1,2,,172122-03970,, "LABEL, GREASE SUPPLY",,,,,,1,S,,,,,,,,,,,,,M50017  
18,2,,172122-03850,, "LABEL, GREASE",,,,,,1,,,,,,,,,,,,,  
18-1,2,,172138-03750,, "LABEL, GREASE",,,,,,1,S,,,,,,,,,,,,,M50017  
19,2,,933112-55400,, "LABEL, SUB-TANK",,,,,,1,,,,,,,,,,,,,  
19-1,2,,933112-55700,, "LABEL, SUB-TANK",,,,,,1,S,,,,,,,,,,,,,M50017  
20,2,,22857-300050,, "SCREW 3X 5",,,,,,4,,,,,,,,,,,,,  
21,2,,933112-50500,, "LABEL, OIL FEED",,,,,,1,,,,,,,,,,,,,  
21-1,2,,933112-50700,, "LABEL, OIL FEED",,,,,,1,S,,,,,,,,,,,,,M50017  
22,2,,933112-52300,, "LABEL, FUEL",,,,,,1,,,,,,,,,,,,,  
22-1,2,,933112-52500,, "LABEL, FUEL",,,,,,1,S,,,,,,,,,,,,,M50017  
23,2,,933112-91400,, "LABEL, YANMAR",,,,,,2,,,,,,,,,,,,,  
23-1,2,,172124-03310,, "LABEL, YANMAR (L)",,,,,,1,S,,,,,,,,,,,,,\*1987.09  
24,2,,933112-94100,, "LABEL, TURBO",,,,,,1,,,,,,,,,,,,,  
25,2,,933112-94200,, "LABEL, TURBO",,,,,,1,,,,,,,,,,,,,  
26,2,,933112-94300,, "LABEL, SALOON",,,,,,1,,,,,,,,,,,,,  
27,2,,172122-03250,, "LABEL, NO.1 MARK",,,,,,1,Z,,,,,,,,,,,,,\*1986.06  
28,2,,172122-03260,, "LABEL, NO.1 MARK",,,,,,1,,,,,,,,,,,,,  
28-1,2,,172122-03260,, "LABEL, NO.1 MARK",,,,,,2,K,,,,,,,,,,,,,\*1986.06  
29,2,,172122-69890,, "LABEL, SAFETY DRIVE",,,,,,1,,,,,,,,,,,,,  
30,2,,933112-45300,, "LABEL, DANGER (A)",,,,,,1,,,,,,,,,,,,,  
31,2,,933112-45400,, "LABEL, DANGER (B)",,,,,,1,,,,,,,,,,,,,  
32,2,,933112-45500,, "LABEL, CAUTION",,,,,,2,,,,,,,,,,,,,  
33,2,,933112-47700,, "LABEL, RESTARTING",,,,,,1,,,,,,,,,,,,,  
33-1,2,,933112-47800,, "LABEL, RESTARTING",,,,,,1,S,,,,,,,,,,,,,M50017  
34,2,,933112-54020,, "LABEL, AIR CLEANER",,,,,,1,,,,,,,,,,,,,  
34-1,2,,933112-54300,, "LABEL, AIR CLEANER",,,,,,1,S,,,,,,,,,,,,,M50017  
35,2,,933112-55500,, "LABEL, ANTI-FREEZE",,,,,,1,,,,,,,,,,,,,  
35-1,2,,933112-55900,, "LABEL, ANTI-FREEZING",,,,,,1,S,,,,,,,,,,,,,M50017  
36,2,,933112-55600,, "LABEL, RADIATOR",,,,,,1,,,,,,,,,,,,,  
36-1,2,,933112-55800,, "LABEL, RADIATER",,,,,,1,S,,,,,,,,,,,,,M50017  
37,2,,172124-03260,, "LABEL, SEAL(A)",,,,,,1,W,,,,,,,,,,,,,M60501  
37-1,2,,172124-03261,, "LABEL,SEAL A",,,,,,1,S,,,,,,,,,,,,,\*1989.01  
38,2,,172124-03270,, "LABEL, SEAL (B)",,,,,,1,W,,,,,,,,,,,,,M60501  
38-1,2,,172124-03271,, "LABEL,SEAL B",,,,,,1,S,,,,,,,,,,,,,\*1989.01  
39,2,,172122-03610,, "LABEL, SEAL(A)",,,,,,1,W,,,,,,,,,,,,,M60501  
39-1,2,,172122-03611,, "LABEL,SEAL A",,,,,,1,S,,,,,,,,,,,,,\*1989.01  
40,2,,172124-03320,, "LABEL, YANMAR (R)",,,,,,1,W,,,,,,,,,,,,,\*1987.09  
41,2,,933112-23600,, "LABEL(A),OPERATION",,,,,,1,,,,,,,,,,,,,

Fig. 5 **5** メイバン(キャビン)  
 LABEL (CABIN SPEC.)

SPEC. CODE  
 D72122-03150  
 D72125-03731

COUNTRY	J	P	NW	SW	WG	F	A	M	N	L
Fig.No.	2	4	3	5	4	5	5			

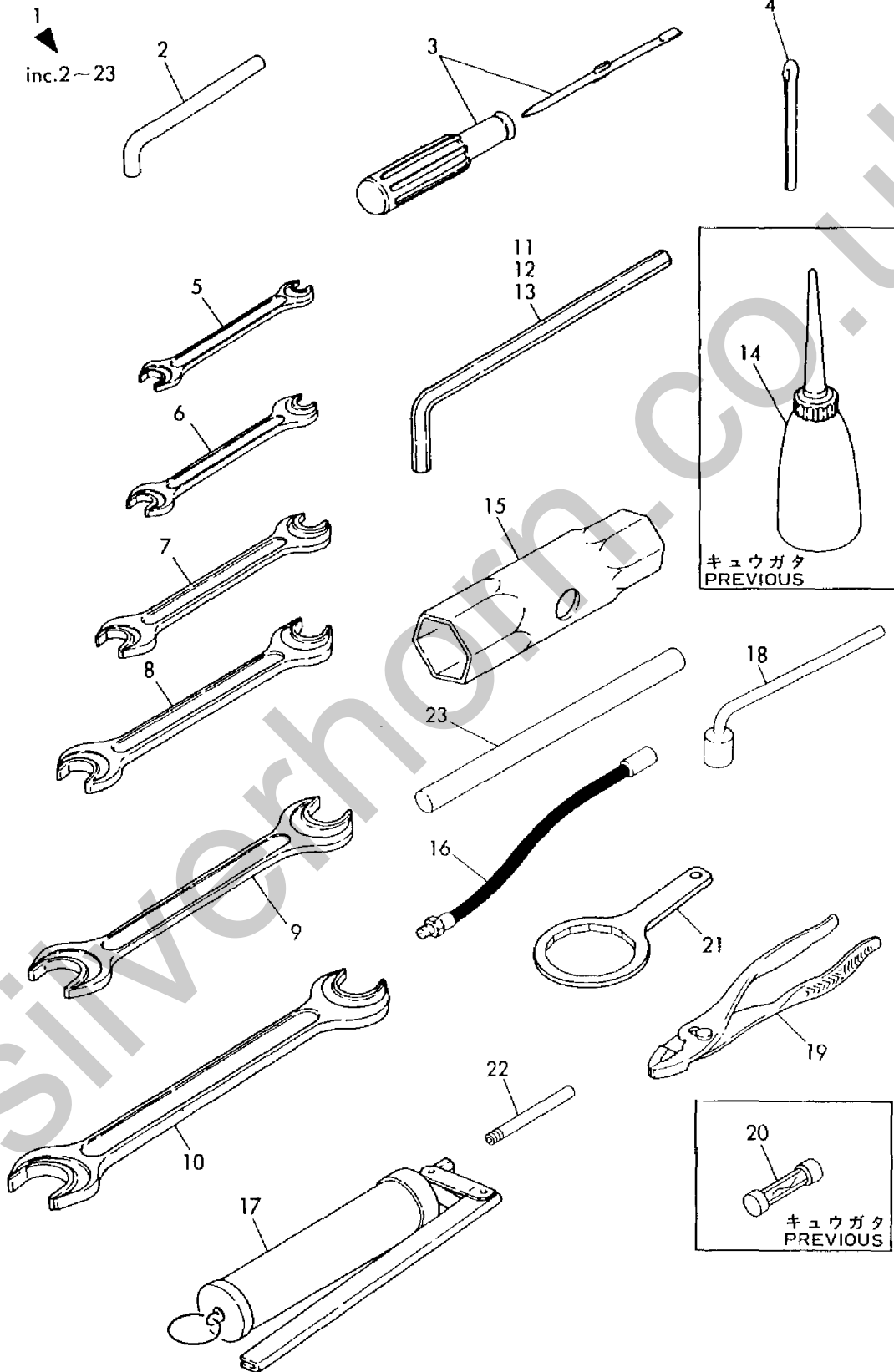


1,1,,772124-05100,, "TOOL ASSY",1,1,,1,1,,,,,,,,,  
2,2,,172112-38111,, "PIN, COTTER",4,4,,4,4,,,,,,,,,  
2-1,2,,172112-38111,, "PIN,  
COTTER",2,2,,2,2,,K,,,M00501,,M00501,,,,M00501,,M00501  
3,2,,104200-92350,, "DRIVER, SCREW",1,1,,1,1,,,,,,,,,  
4,2,,22417-800630,, "COTTER PIN 8.0X63",4,4,,4,4,,,,,,,,,  
5,2,,28110-080100,, "WRENCH 8X10",1,1,,1,1,,,,,,,,,  
6,2,,28110-120140,, "WRENCH 12X14",1,1,,1,1,,,,,,,,,  
7,2,,28110-170190,, "WRENCH 17X19",1,1,,1,1,,,,,,,,,  
8,2,,28110-220240,, "WRENCH 22X24",1,1,,1,1,,,,,,,,,  
9,2,,28110-270300,, "WRENCH 27X30",1,1,,1,1,,,,,,,,,  
10,2,,28110-320360,, "WRENCH 32X36",1,1,,1,1,,,,,,,,,  
11,2,,28150-025000,, "BAR WRENCH 2.5",1,1,,1,1,,,,,,,,,  
12,2,,28150-080000,, "BAR WRENCH 8",1,1,,1,1,,,,,,,,,  
13,2,,28150-140000,, "BAR WRENCH 14",1,1,,1,1,,,,,,,,,  
14,2,,28210-000140,, "FEEDER, OIL",1,1,,1,1,,Z,,,M00501,,M00501,,,,M00501,,M00501  
15,2,,28227-271400,, "BOX WRENCH 27X140",1,1,,1,1,,,,,,,,,  
16,2,,933110-09700,, "HOSE, GREASE",1,1,,1,1,,,,,,,,,  
17,2,,933110-09800,, "GUN 800, GREASE",1,1,,1,1,,,,,,,,,  
18,2,,933110-90600,, "WRENCH 24, SOCKET",1,1,,1,1,,,,,,,,,  
19,2,,933171-00470,, "PLIER (200)",1,1,,1,1,,,,,,,,,  
20,2,,933110-04600,, FUSE,1,1,,1,1,,Z,,,M00501,,M00501,,,,M00501,,M00501  
21,2,,171301-92750,, "WRENCH, L.O.  
FILTER",1,1,,1,1,,W,,,\*1986.02,,\*1986.02,,,,\*1986.02,,\*1986.02  
22,2,,172122-  
05100,, NOZZLE,1,1,,1,1,,W,,,\*1988.02,,\*1988.02,,,,\*1988.02,,\*1988.02  
23,2,,28230-120250,, "TURNING  
HANDLE",1,1,,1,1,,W,,,\*1987.10,,\*1987.10,,,,\*1987.10,,\*1987.10



Fig. 6 コウグ  
TOOL

SPEC. CODE  
D72124-05100





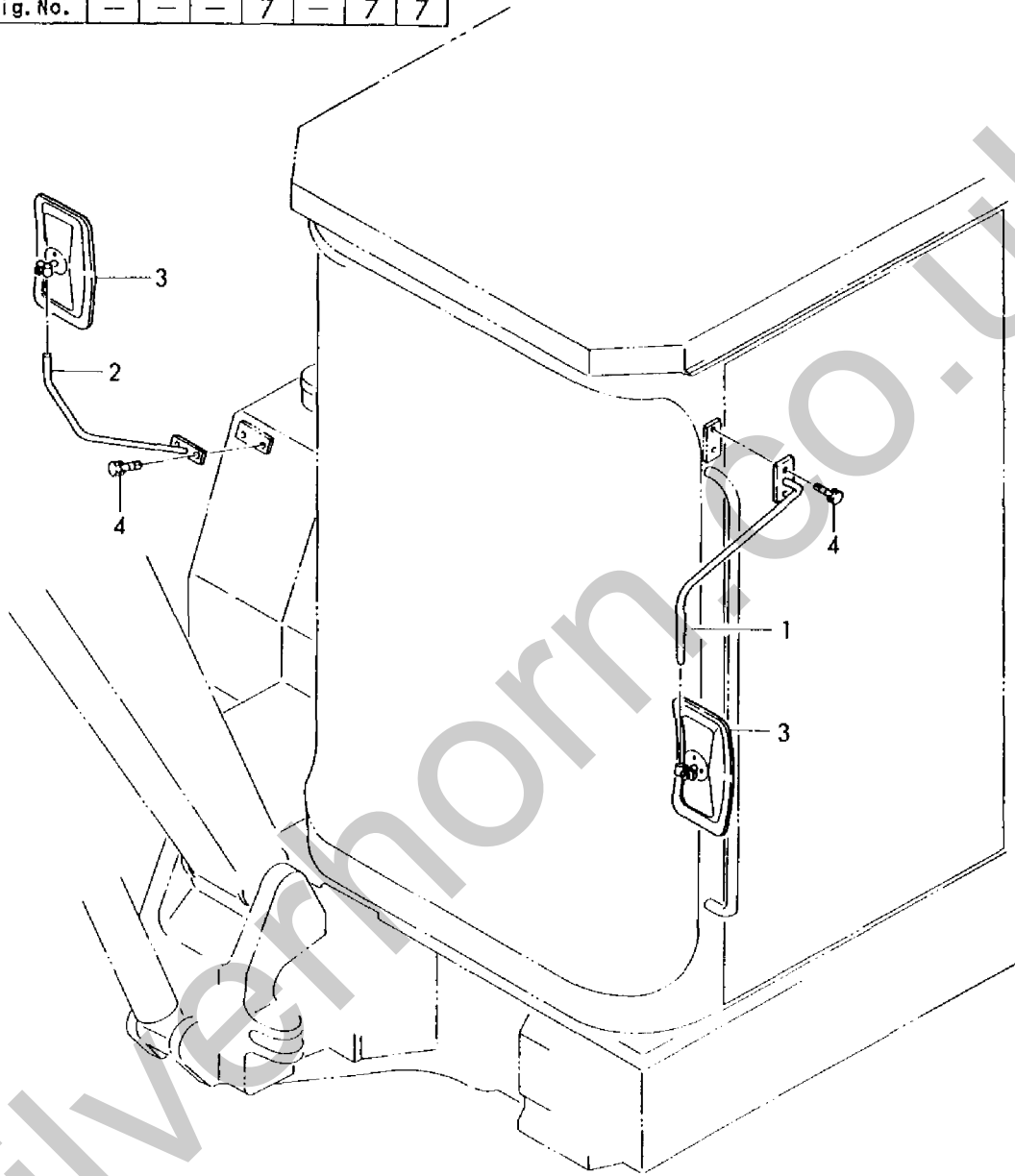
1,1,,172312-06700,, "STAY(L),BACK MIRROR",,,,,1,,,,,,,,,,,,,  
2,1,,172312-06720,, "STAY(R),BACK MIRROR",,,,,1,,,,,,,,,,,,,  
3,1,,172312-06740,, "MIRROR, REAR VIEW",,,,,2,,,,,,,,,,,,,  
4,1,,26013-100162,, "BOLT M10X 16",,,,,4,,,,,,,,,,,,,

Silverhorn.CO.UK

Fig. **7** バックミラー  
REAR VIEW MIRROR

SPEC. CODE  
D72312-06700

COUNTRY	J	P	N	W	S	W	G	F	A	D	M	N	L
Fig. No.	-	-	-	-	-	7	-	-	-	-	7	7	

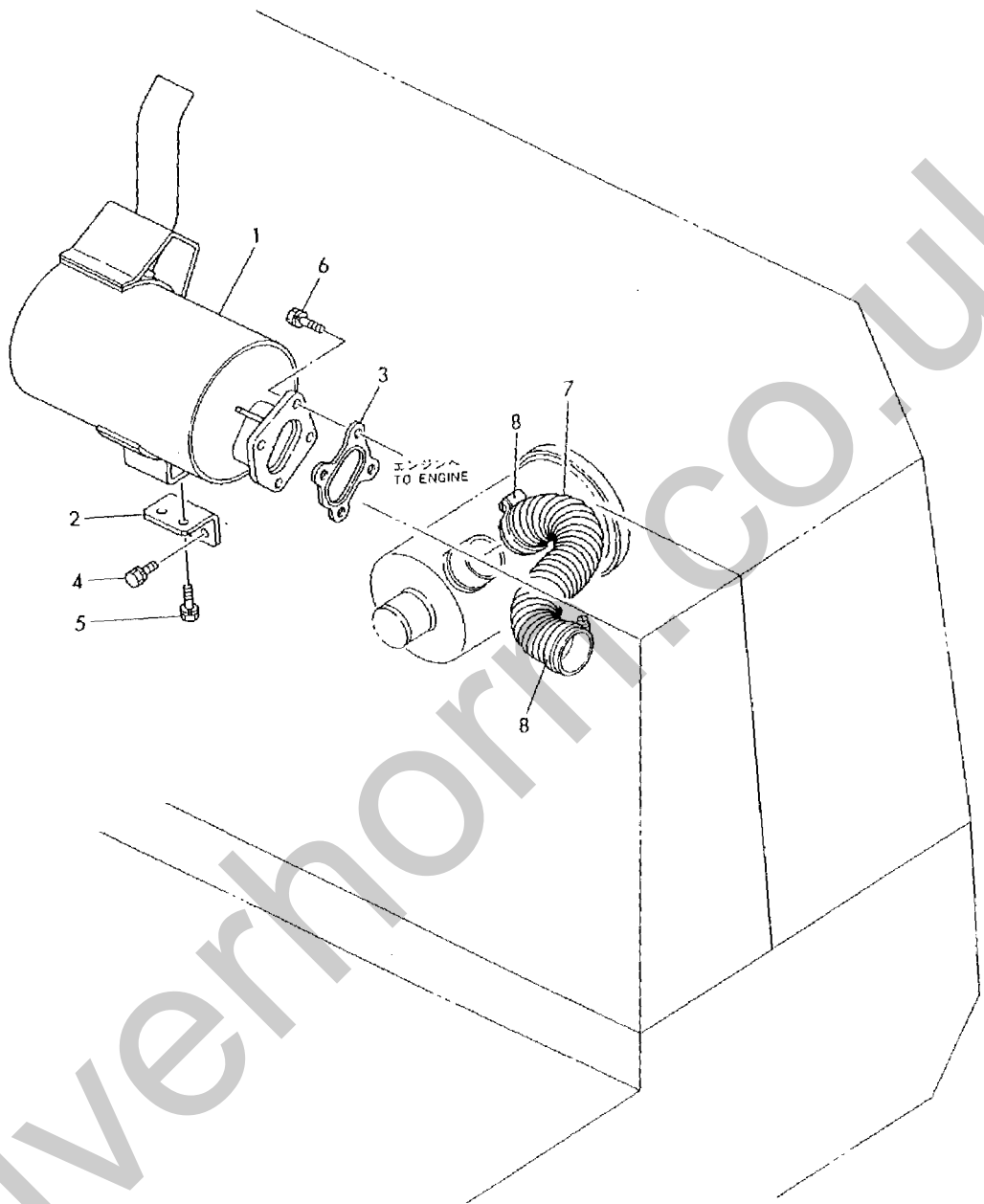


1,1,,129403-13500,,SILENCER,1,1,,1,1,,,,,,,,,,,,,  
2,1,,129403-13540,,,"SUPPORT, SILENCER",1,1,,1,1,,,,,,,,,,,,,  
3,1,,129403-18090,,GASKET,1,1,,1,1,,,,,,,,,,,,,  
4,1,,26013-080162,,,"BOLT W/WASHER M8X16",2,2,,2,2,,,,,,,,,,,,,  
5,1,,26013-080202,,,"BOLT W/WASHER M8X20",2,2,,2,2,,,,,,,,,,,,,  
6,1,,26013-080202,,,"BOLT W/WASHER M8X20",4,4,,4,4,,,,,,,,,,,,,  
7,1,,172124-11500,,,"HOSE, AIR CLEANER",1,1,,1,1,,,,,,,,,,,,,  
8,1,,23000-070000,,,"CLAMP 70",2,2,,2,2,,,,,,,,,,,,,

Silverhorn.CO.UK

SPEC. CODE  
D72124-11300  
D72124-11500

Fig. 8 サイレンサ  
SILENCER

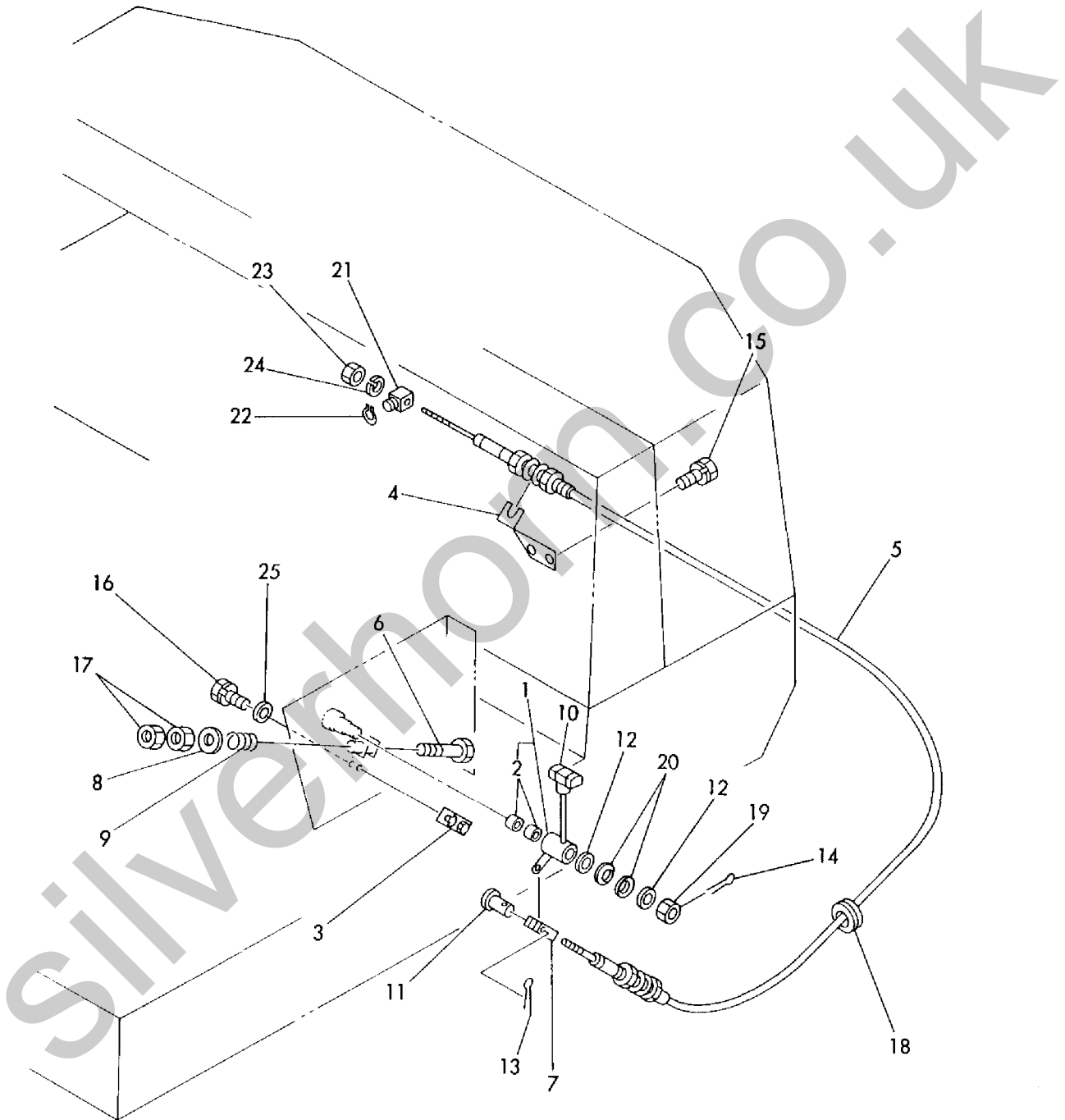


1,1,,172124-12100,, "LEVER ASSY, THROTTLE",1,1,,1,1,,,,,,,,,,,,,  
2,2,,933171-23680,, "BUSH 14X15",2,2,,2,2,,,,,,,,,,,,,  
3,1,,172124-12120,, "SUPPORT (A), CABLE",1,1,,1,1,,,,,,,,,,,,,  
4,1,,172124-12140,, "SUPPORT (B), CABLE",1,1,,1,1,,,,,,,,,,,,,  
5,1,,172124-12150,, "CABLE, THROTTLE",1,1,,1,1,,,,,,,,,,,,,  
6,1,,172122-12170,, BOLT,1,1,,1,1,,,,,,,,,,,,,  
7,1,,172112-12530,, "JOINT, CABLE",1,1,,1,1,,,,,,,,,,,,,  
8,1,,1E6140-16160,, "WASHER 10.5X23X3.2",1,1,,1,1,,,,,,,,,,,,,  
8-1,1,,194145-04810,, "WASHER  
10",1,1,,1,1,,N,,,\*1988.11,,\*1988.11,,,,,\*1988.11,,\*1988.11  
9,1,,172730-33190,, "SPRING, SIDE CLUTCH",1,1,,1,1,,,,,,,,,,,,,  
10,1,,172116-45940,, "KNOB (C), LEVER",1,1,,1,1,,,,,,,,,,,,,  
10-1,1,,172122-46630,, "KNOB(D),  
LEVER",1,1,,1,1,,R,1,,M20501,,M20501,,,,M20501,,M20501  
11,1,,1A1040-56900,, "PIN 6X 17",1,1,,1,1,,,,,,,,,,,,,  
12,1,,22137-120000,, "WASHER 12,POLISHED",2,2,,2,2,,,,,,,,,,,,,  
13,1,,22417-200160,, "COTTER PIN 2.0X16",1,1,,1,1,,,,,,,,,,,,,  
14,1,,22417-320250,, "COTTER PIN 3.2X25",1,1,,1,1,,,,,,,,,,,,,  
15,1,,26013-080162,, "BOLT W/WASHER M8X16",2,2,,2,2,,,,,,,,,,,,,  
16,1,,26013-080202,, "BOLT W/WASHER M8X20",2,2,,2,2,,,,,,,,,,,,,  
17,1,,26756-100002,, "LOCK NUT M10 PLATED",2,2,,2,2,,,,,,,,,,,,,  
18,1,,933166-16110,, "GROMMET 30X9.5",1,1,,1,1,,,,,,,,,,,,,  
19,1,,933110-25700,, "CASTLE NUT M12",1,1,,1,1,,,,,,,,,,,,,  
19-1,1,,1A1040-16270,, "NUT M12,  
CASTLE",1,1,,1,1,,R,,\*1986.02,,\*1986.02,,,,\*1986.02,,\*1986.02  
20,1,,933170-01490,, "SPRING 12",2,2,,2,2,,,,,,,,,,,,,  
21,1,,172112-12520,, "PIVOT, ACCEL",1,1,,1,1,,,,,,,,,,,,,  
22,1,,22272-000070,, "CIRCLIP E- 7",1,1,,1,1,,,,,,,,,,,,,  
23,1,,26716-050002,, "NUT M 5",1,1,,1,1,,,,,,,,,,,,,  
24,1,,22217-050000,, "SPRING WASHER 5",1,1,,1,1,,,,,,,,,,,,,  
25,1,,933168-28480,, "WASHER  
20X9X3.2",2,2,,2,2,,W,1,,M20501,,M20501,,,,M20501,,M20501



Fig. 9 アクセル  
ACCELERATOR

SPEC. CODE  
D72124-12100



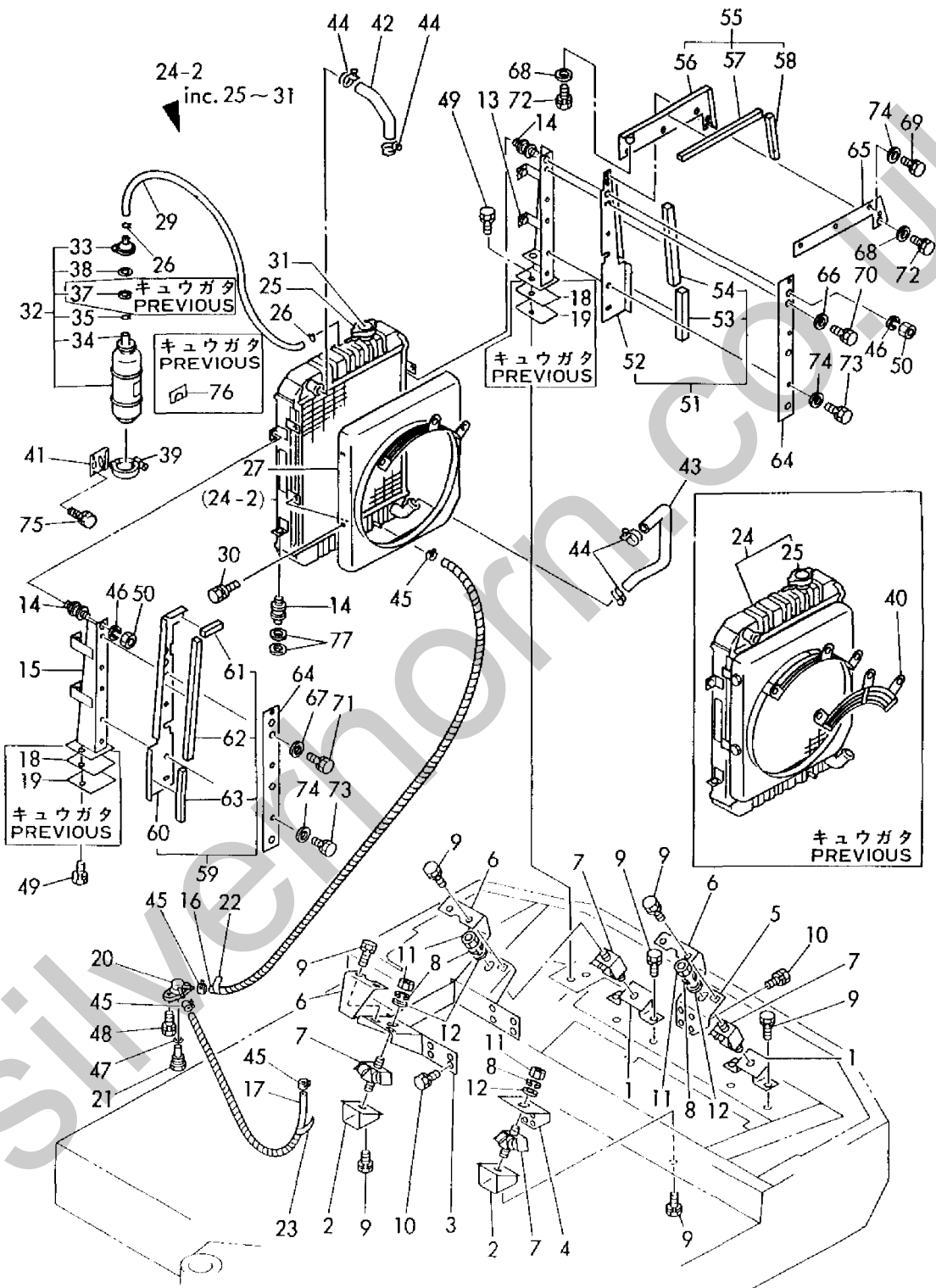
1,1,,172124-13100,, "SUPPORT (A), ENGINE",2,2,,2,2,,,,,,,,,,,,,  
2,1,,172124-13130,, "SUPPORT (B), ENGINE",2,2,,2,2,,,,,,,,,,,,,  
3,1,,172124-13150,, "BRACKET,ENG. ASSY",1,1,,1,1,,,,,,,,,,,,,  
4,1,,172124-13210,, "BRACKET,ENG(L)",1,1,,1,1,,,,,,,,,,,,,  
5,1,,172124-13220,, "BRACKET,ENG(R)ASSY",1,1,,1,1,,,,,,,,,,,,,  
6,1,,172124-13230,, "STOPPER, ENGINE",3,3,,3,3,,,,,,,,,,,,,  
7,1,,172116-13260,, "ABSORBER, SHOCK",4,4,,4,4,,,,,,,,,,,,,  
8,1,,22217-120000,, "WASHER 12,SPRING",8,8,,8,8,,,,,,,,,,,,,  
9,1,,26013-100252,, "BOLT W/WASHER M10X25",14,14,,14,14,,,,,,,,,,,,,  
10,1,,26013-120252,, "BOLT M12X 25",16,16,,16,16,,,,,,,,,,,,,  
11,1,,26716-120002,, "NUT M12",8,8,,8,8,,,,,,,,,,,,,  
12,1,,933152-03700,, "WASHER, SIDE CLUTCH",4,4,,4,4,,,,,,,,,,,,,  
12-1,1,,172147-13150,, "WASHER 32X  
12.5",4,4,,4,4,,N,,,\*1988.09,,\*1988.09,,,,\*1988.09,,\*1988.09  
13,1,,172124-13300,, "MOUNT(L),RADIATOR",1,1,,1,1,,,,,,,,,,,,,  
14,1,,172122-13310,, "MOUNT, RADIATOR",4,4,,4,4,,,,,,,,,,,,,  
14-1,1,,172124-13500,, "MOUNT,  
RADIATOR",4,4,,4,4,,N,,M00776,,M00776,,,,M00656,,M00656  
15,1,,172124-13310,, "MOUNT(R),RADIATOR",1,1,,1,1,,,,,,,,,,,,,  
16,1,,172124-13400,, "HOSE(A), DRAIN",1,1,,1,1,,,,,,,,,,,,,  
17,1,,172124-13410,, "HOSE(B), DRAIN",1,1,,1,1,,,,,,,,,,,,,  
18,1,,172124-13420,, "SHIM  
(T=0.8)",2,2,,2,2,,Z,,M00501,,M00501,,,,M00501,,M00501  
19,1,,172124-13430,, "SHIM  
(T=1.2)",2,2,,2,2,,Z,,M00501,,M00501,,,,M00501,,M00501  
20,1,,172124-13440,, "COCK",1,1,,1,1,,,,,,,,,,,,,  
21,1,,172124-13450,, "PLUG",1,1,,1,1,,,,,,,,,,,,,  
22,1,,172124-13460,, "TUBE (A), COIL",1,1,,1,1,,,,,,,,,,,,,  
23,1,,172124-13470,, "TUBE (B), COIL",1,1,,1,1,,,,,,,,,,,,,  
24,1,,129403-44500,, "RADIATOR",1,1,,1,1,,,,,,,,,,,,,  
24-1,1,,129403-44501,, "RADIATOR  
ASSY",1,1,,1,1,,R,,\*1986.04,,\*1986.04,,,,\*1986.04,,\*1986.04  
24-2,1,,129403-  
44502,, "RADIATOR",1,1,,1,1,,R,,\*1986.05,,\*1986.05,,,,\*1986.05,,\*1986.05  
25,2,,124450-44590,, "CAP, RADIATOR",1,1,,1,1,,,,,,,,,,,,,  
26,2,,121250-44590,, "CLAMP",2,2,,2,2,,,,,,,,,,,,,  
27,2,,129403-44610,, "SHROUD",1,1,,1,1,,,,,,,,,,,,,  
29,2,,124722-49150,, "HOSE(A), WATER DRAIN",1,1,,1,1,,,,,,,,,,,,,  
30,2,,26014-060122,, "BOLT M 6X 12",4,4,,4,4,,,,,,,,,,,,,  
31,2,,119631-44800,, "LABEL, RADIATOR",1,1,,1,1,,,,,,,,,,,,,  
32,1,,171064-44510,, "SUB-TANK ASSY",1,1,,1,1,,,,,,,,,,,,,  
33,2,,171064-44530,, "CAP, SUB-TANK",1,1,,1,1,,,,,,,,,,,,,  
33-1,2,,121450-44531,, "CAP",1,1,,1,1,,S,,\*1988.07,,\*1988.07,,,,\*1988.07,,\*1988.07  
34,2,,23065-070225,, "PIPE 7X 225",1,1,,1,1,,,,,,,,,,,,,  
35,2,,124450-44560,, "CLAMP",1,1,,1,1,,,,,,,,,,,,,  
37,2,,121470-  
44570,, "SPACER",1,1,,1,1,,Z,,\*1988.07,,\*1988.07,,,,\*1988.07,,\*1988.07  
38,2,,121470-44580,, "GASKET",1,1,,1,1,,,,,,,,,,,,,  
38-1,2,,121470-  
44581,, "GASKET",1,1,,1,1,,S,,\*1988.07,,\*1988.07,,,,\*1988.07,,\*1988.07  
39,1,,124450-44550,, "CLAMP, SUB-TANK",1,1,,1,1,,,,,,,,,,,,,  
40,1,,129403-44590,, "NET, WIRE",1,1,,1,1,,Z,,M00501,,M00501,,,,M00501,,M00501  
41,1,,121256-44600,, "BRACKET, SUB-TANK",1,1,,1,1,,,,,,,,,,,,,  
42,1,,129403-49010,, "PIPE (A), C.WATER",1,1,,1,1,,,,,,,,,,,,,  
43,1,,129403-49020,, "PIPE (B), C.WATER",1,1,,1,1,,,,,,,,,,,,,  
44,1,,121267-49500,, "CLAMP 38",4,4,,4,4,,,,,,,,,,,,,  
44-1,1,,23010-038000,, "CLAMP  
38",4,4,,4,4,,R,,\*1989.01,,\*1989.01,,,,\*1989.01,,\*1989.01  
45,1,,124766-59050,, "CLAMP 12",4,4,,4,4,,,,,,,,,,,,,  
46,1,,22217-080000,, "SPRING WASHER 8",8,8,,8,8,,,,,,,,,,,,,  
47,1,,24311-000160,, "O-RING 1A P-16.0",1,1,,1,1,,,,,,,,,,,,,  
48,1,,26013-080162,, "BOLT W/WASHER M8X16",2,2,,2,2,,,,,,,,,,,,,  
49,1,,26013-100252,, "BOLT W/WASHER M10X25",4,4,,4,4,,,,,,,,,,,,,

50,1,,26716-080002,, "NUT M 8",8,8,,8,8,,,,,,,,,,,,,  
51,1,,172124-62800,, "RUBBER, PLATE (A)",1,1,,1,1,,,,,,,,,,,,,  
52,2,,172124-62810,, "PLATE (A)",1,1,,1,1,,,,,,,,,,,,,  
53,2,,172124-62830,, "RUBBER (A)",1,1,,1,1,,,,,,,,,,,,,  
54,2,,172124-62840,, "RUBBER (B)",1,1,,1,1,,,,,,,,,,,,,  
55,1,,172124-62850,, "RUBBER, PLATE (B)",1,1,,1,1,,,,,,,,,,,,,  
55-1,1,,172124-62851,, "RUBBER  
PLATE(B)ASSY",1,1,,1,1,,S,1,,M/#00794,,M/#00794,,,,M/#00670,,M/#00670  
56,2,,172124-62861,, "PLATE (B)",1,1,,1,1,,,,,,,,,,,,,  
57,2,,172124-62890,, "RUBBER (C)",1,1,,1,1,,,,,,,,,,,,,  
58,2,,172124-62901,, "RUBBER  
PLATE",1,1,,1,1,,1,,M/#00794,,M/#00794,,,,M/#00670,,M/#00670  
59,1,,172124-62910,, "RUBBER, PLATE (C)",1,1,,1,1,,,,,,,,,,,,,  
60,2,,172124-62920,, "PLATE (C)",1,1,,1,1,,,,,,,,,,,,,  
61,2,,172124-62940,, "RUBBER (E)",1,1,,1,1,,,,,,,,,,,,,  
62,2,,172124-62950,, "RUBBER (F)",1,1,,1,1,,,,,,,,,,,,,  
63,2,,172124-62960,, "RUBBER (G)",1,1,,1,1,,,,,,,,,,,,,  
64,1,,172124-62970,, "RUBBER (H),RADIATOR",2,2,,2,2,,,,,,,,,,,,,  
65,1,,172124-62980,, "RUBBER (I),RADIATOR",1,1,,1,1,,,,,,,,,,,,,  
66,1,,22117-080000,, "WASHER 8",3,3,,3,3,,,,,,,,,,,,,  
67,1,,22117-080000,, "WASHER 8",3,3,,3,3,,,,,,,,,,,,,  
68,1,,22117-080000,, "WASHER 8",2,2,,2,2,,,,,,,,,,,,,  
69,1,,26013-080162,, "BOLT W/WASHER M8X16",5,5,,5,5,,,,,,,,,,,,,  
70,1,,26013-080202,, "BOLT W/WASHER M8X20",3,3,,3,3,,,,,,,,,,,,,  
71,1,,26013-080202,, "BOLT W/WASHER M8X20",3,3,,3,3,,,,,,,,,,,,,  
72,1,,26013-080202,, "BOLT W/WASHER M8X20",2,2,,2,2,,,,,,,,,,,,,  
73,1,,26013-080202,, "BOLT W/WASHER M8X20",5,5,,5,5,,,,,,,,,,,,,  
74,1,,933152-02900,, "WASHER,10,10,,10,10,,,,,,,,,,,,,  
75,1,,26013-080162,, "BOLT W/WASHER M8X16",2,2,,2,2,,,,,,,,,,,,,  
76,1,,933169-15241,, "STAPLE P-  
20",1,1,,1,1,,Z,2,,M20501,,M20501,,,,M20501,,M20501  
77,1,,22157-100000,, "WASHER 10",4,4,,4,4,,W,2,,M20501,,M20501,,,,M20501,,M20501



Fig. 10 エンジンマウント & ラジエータ  
ENGINE MOUNT & RADIATOR

SPEC. CODE  
D72124-13100  
D72124-13300  
D72124-62801



1,1,,772124-14100,, "TANK ASSY, FUEL OIL",1,1,,1,1,,,,,,,,,,,,,  
1-1,2,,772124-14101,, "TANK ASSY, FUEL  
OIL",1,1,,1,1,,R,,,M20501,,M20501,,,,M20501,,M20501  
2,2,,104200-11920,,COCK,1,1,,1,1,,,,,,,,,,,,,  
4,2,,105430-55041,, "CAP, FUEL TANK",1,1,,1,1,,,,,,,,,,,,,  
4-1,2,,172122-14300,, "CAP, FUEL  
TANK",1,1,,1,1,,S,,,M20501,,M20501,,,,M20501,,M20501  
4A,3,,105430-  
55070,,GASKET,1,1,,1,1,,W,,,\*1989.11,,\*1989.11,,,,\*1989.11,,\*1989.11  
5,2,,101504-55101,, "STRAINER,FUEL INLET",1,1,,1,1,,,,,,,,,,,,,  
6,2,,172124-14230,, "COVER,FO CAP",1,1,,1,1,,W,,,M00502,,M00502,,,,M00502,,M00502  
6-1,2,,172124-14230,, "COVER,FO  
CAP",1,1,,1,1,,Z,,,M20501,,M20501,,,,M20501,,M20501  
7,2,,172124-14250,, "SPRING,CATCH",1,1,,1,1,,W,,,M00502,,M00502,,,,M00502,,M00502  
7-1,2,,172124-  
14250,, "SPRING,CATCH",1,1,,1,1,,Z,,,M20501,,M20501,,,,M20501,,M20501  
8,2,,26013-080122,, "BOLT M 8X 12",2,2,,2,2,,W,,,M00502,,M00502,,,,M00502,,M00502  
8-1,2,,26013-080122,, "BOLT M 8X  
12",2,2,,2,2,,Z,,,M20501,,M20501,,,,M20501,,M20501  
9,2,,26027-050102,, "SCREW W/WASHER  
M5X10",2,2,,2,2,,W,,,M00502,,M00502,,,,M00502,,M00502  
9-1,2,,26027-050102,, "SCREW W/WASHER  
M5X10",2,2,,2,2,,Z,,,M20501,,M20501,,,,M20501,,M20501  
10,2,,26717-050002,, "NUT M 5",2,2,,2,2,,W,,,M00502,,M00502,,,,M00502,,M00502  
10-1,2,,26717-050002,, "NUT M 5",2,2,,2,2,,Z,,,M20501,,M20501,,,,M20501,,M20501  
11,1,,22217-140000,, "SPRING WASHER 14",4,4,,4,4,,,,,,,,,,,,,  
12,1,,26116-140302,, "BOLT M14X 30 PLATED",4,4,,4,4,,,,,,,,,,,,,  
13,1,,172124-14600,, "HOSE L=1950, FUEL",1,1,,1,1,,,,,,,,,,,,,  
14,1,,172124-14610,, "HOSE L=200, FUEL",1,1,,1,1,,,,,,,,,,,,,  
15,1,,172116-14620,, "PIPE (B), FUEL",1,1,,1,1,,,,,,,,,,,,,  
15-1,1,,172124-14650,, "HOSE L=1100,  
FUEL",1,1,,1,1,,N,,,M00823,,M00823,,,,M00670,,M00670  
16,1,,172124-14620,, "HOSE L=300, FUEL",1,1,,1,1,,,,,,,,,,,,,  
17,1,,172124-14630,, "HOSE L=3300, FUEL",1,1,,1,1,,,,,,,,,,,,,  
18,1,,129100-55600,, "STRAINER, FUEL",1,1,,1,1,,,,,,,,,,,,,  
19,2,,104200-55321,, "VALVE, TAPER",1,1,,1,1,,,,,,,,,,,,,  
20,2,,104200-55330,, "SPRING, TAPER VALVE",1,1,,1,1,,,,,,,,,,,,,  
21,2,,104200-55750,, "SCREW M 4",1,1,,1,1,,,,,,,,,,,,,  
22,2,,24311-240100,, "O-RING 1A P-10A",1,1,,1,1,,,,,,,,,,,,,  
23,2,,129100-55670,,LEVER,1,1,,1,1,,,,,,,,,,,,,  
24,2,,129100-55680,, "CUP, STRAINER",1,1,,1,1,,,,,,,,,,,,,  
26,2,,129100-55690,, "RING, RETAINING",1,1,,1,1,,,,,,,,,,,,,  
27,2,,24321-000650,, "O-RING 1A G-65.0",1,1,,1,1,,,,,,,,,,,,,  
28,2,,129100-55650,, "ELEMENT, FUEL",1,1,,1,1,,,,,,,,,,,,,  
29,2,,129100-55700,,SPRING,1,1,,1,1,,,,,,,,,,,,,  
30,2,,24311-000160,, "O-RING 1A P-16.0",1,1,,1,1,,,,,,,,,,,,,  
31,1,,129335-55700,, "SEPARATOR, WATER",1,1,,1,1,,,,,,,,,,,,,  
32,2,,104200-55321,, "VALVE, TAPER",1,1,,1,1,,,,,,,,,,,,,  
33,2,,104200-55330,, "SPRING, TAPER VALVE",1,1,,1,1,,,,,,,,,,,,,  
34,2,,104200-55341,, "HANDLE, COCK",1,1,,1,1,,,,,,,,,,,,,  
35,2,,124064-55510,, "BOWL, FUEL STRAINER",1,1,,1,1,,,,,,,,,,,,,  
36,2,,102103-55520,,O-RING,1,1,,1,1,,,,,,,,,,,,,  
37,2,,110250-55610,, "RING, RETAINING",1,1,,1,1,,,,,,,,,,,,,  
38,2,,121257-55720,, "SPRING, SCREEN",1,1,,1,1,,,,,,,,,,,,,  
39,2,,121257-55731,,FLOAT,1,1,,1,1,,,,,,,,,,,,,  
41,2,,101720-55750,, "PLUG 6",2,2,,2,2,,,,,,,,,,,,,  
42,2,,104200-55750,, "SCREW M 4",1,1,,1,1,,,,,,,,,,,,,  
43,2,,171081-55910,,SCREEN,1,1,,1,1,,,,,,,,,,,,,  
44,2,,23418-060000,, "GASKET 6, NYLON",2,2,,2,2,,,,,,,,,,,,,  
45,2,,24311-240100,, "O-RING 1A P-10A",1,1,,1,1,,,,,,,,,,,,,  
46,1,,124766-59050,, "CLAMP 12",10,10,,10,10,,,,,,,,,,,,,  
47,1,,22137-080000,, "WASHER 8,  
POLISHED",2,2,,2,2,,Z,,,M20501,,M20501,,,,M20501,,M20501

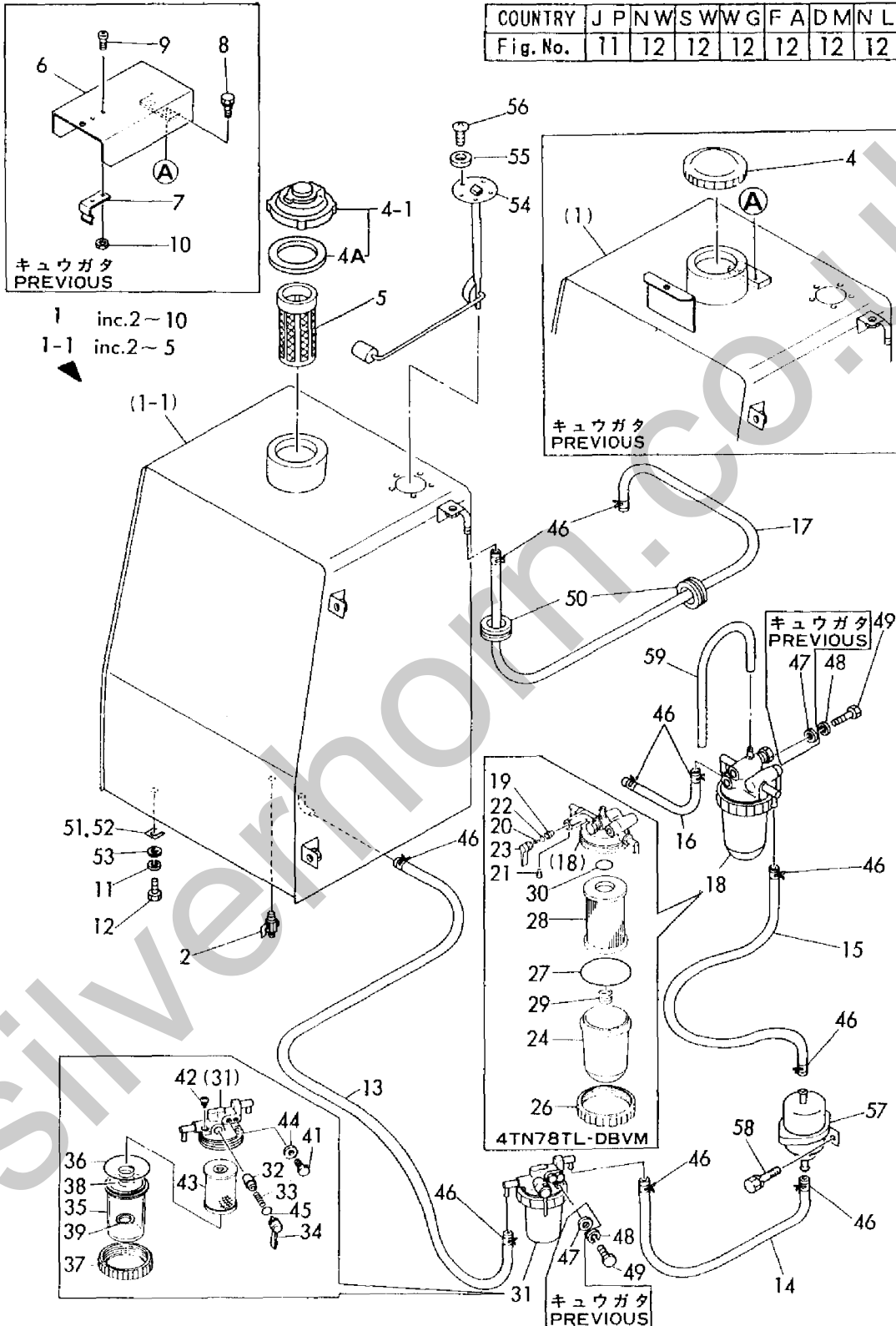
48,1,,22217-080000,, "SPRING WASHER 8",2,2,,2,2,,,,,,,,,,,,,  
49,1,,26116-080702,, "BOLT M 8X 70 PLATED",2,2,,2,2,,,,,,,,,,,,,  
50,1,,29311-325000,, "GROMMET 32X5.0",2,2,,2,2,,,,,,,,,,,,,  
51,1,,933169-23070,, "SPACER (1.6)",4,4,,4,4,,,,,,,,,,,,,  
52,1,,933169-23080,, "SPACER (3.2)",4,4,,4,4,,,,,,,,,,,,,  
53,1,,22137-140000,, "WASHER 14,POLISHED",4,4,,4,4,,,,,,,,,,,,,  
54,1,,172124-17100,, "GAUGE UNIT, FUEL",1,1,,1,1,,,,,,,,,,,,,  
55,1,,22190-050000,, "SEAL WASHER 5(BOLT)",5,5,,5,5,,,,,,,,,,,,,  
56,1,,26557-050122,, "SCREW M 5X 12",5,5,,5,5,,,,,,,,,,,,,  
57,1,,129322-77400,, "FEED PUMP",1,1,,1,1,,,,,,,,,,,,,  
57-1,1,,129322-77401,, "FEED PUMP",1,1,,1,1,,N,,M20887,,M20887,,,,M20551,,M20551  
58,1,,26013-060162,, "BOLT M 6X 16",2,2,,2,2,,,,,,,,,,,,,  
59,1,,172116-14680,, "HOSE, VENT",1,1,,1,1,,,,,,,,,,,,,  
59-1,1,,172124-14640,, "HOSE L=750,  
FUEL",1,1,,1,1,,N,,M00502,,M00502,,,,M00502,,M00502

Silverhorn.CO.UK

Fig. 11 FOタンク&FOパイプ  
FUEL TANK & FUEL LINE

SPEC. CODE  
D72124-14100  
D72124-14601

COUNTRY	J	P	N	W	S	W	W	G	F	A	D	M	N	L
Fig. No.	11	12	12	12	12	12	12	12	12	12	12	12	12	12



4TN78TL-RBVMのF.O.フィルタはエンジン部(SECT. 002) FIG.23 参照  
4TN78TL-RBVM : ASSEMBLED PARTS OF OIL FILTER=ENGINE (SECT. 002)  
REFER TO FIG.23

1A,1,,772124-14100,, "TANK ASSY, FUEL OIL",,1,,1,,,,,,,,,,,,,  
1A-1,1,,772124-14101,, "TANK ASSY, FUEL OIL",,1,,1,,R,,,,,M60501,,,,,M60501  
1B,1,,772125-14100,, "TANK ASSY, FUEL OIL",,1,,1,,,,,,,,,,,,,  
1B-1,1,,772125-14101,, "TANK ASSY, FUEL OIL",,1,,1,,R,,,,,M60501  
2,2,,104200-11920,, COCK,,1,,1,,,,,,,,,,,,,  
4,2,,172124-14230,, "COVER,FO CAP",,1,,1,,Z,,,,,M60501,,,,,M60501  
5,2,,172124-14250,, "SPRING,CATCH",,1,,1,,Z,,,,,M60501,,,,,M60501  
6,2,,105430-55041,, "CAP, FUEL TANK",,1,,1,,,,,,,,,,,,,  
6-1,2,,172122-14300,, "CAP, FUEL TANK",,1,,1,,S,,,,,M60501,,,,,M60501  
6A,3,,105430-55070,, GASKET,,1,,1,,W,,,,,\*1989.11,,,,,\*1989.11  
7,2,,101504-55101,, "STRAINER,FUEL INLET",,1,,1,,,,,,,,,,,,,  
8,2,,26013-080122,, "BOLT M 8X 12",,2,,2,,Z,,,,,M60501,,,,,M60501  
9,2,,26027-050102,, "SCREW W/WASHER M5X10",,2,,2,,Z,,,,,M60501,,,,,M60501  
10,2,,26717-050002,, "NUT M 5",,2,,2,,Z,,,,,M60501,,,,,M60501  
11,1,,22137-140000,, "WASHER 14,POLISHED",,4,,4,,,,,,,,,,,,,  
12,1,,22217-140000,, "SPRING WASHER 14",,4,,4,,,,,,,,,,,,,  
13,1,,26116-140302,, "BOLT M14X 30 PLATED",,4,,4,,,,,,,,,,,,,  
14,1,,933169-23070,, "SPACER (1.6)",,4,,4,,,,,,,,,,,,,  
15,1,,933169-23080,, "SPACER (3.2)",,4,,4,,,,,,,,,,,,,  
16,1,,172124-14600,, "HOSE L=1950, FUEL",,1,,1,,,,,,,,,,,,,  
17,1,,172124-14610,, "HOSE L=200, FUEL",,1,,1,,,,,,,,,,,,,  
18,1,,172116-14620,, "PIPE (B), FUEL",,1,,1,,,,,,,,,,,,,  
18-1,1,,172124-14650,, "HOSE L=1100, FUEL",,1,,1,,N,,,,,M50011,,,,,M50011  
19,1,,172124-14620,, "HOSE L=300, FUEL",,1,,1,,,,,,,,,,,,,  
20,1,,172124-14630,, "HOSE L=3300, FUEL",,1,,1,,,,,,,,,,,,,  
21,1,,129100-55600,, "STRAINER, FUEL",,1,,1,,,,,,,,,,,,,  
22,2,,104200-55321,, "VALVE, TAPER",,1,,1,,,,,,,,,,,,,  
23,2,,104200-55330,, "SPRING, TAPER VALVE",,1,,1,,,,,,,,,,,,,  
24,2,,104200-55750,, "SCREW M 4",,1,,1,,,,,,,,,,,,,  
25,2,,24311-240100,, "O-RING 1A P-10A",,1,,1,,,,,,,,,,,,,  
26,2,,129100-55670,, LEVER,,1,,1,,,,,,,,,,,,,  
27,2,,129100-55680,, "CUP, STRAINER",,1,,1,,,,,,,,,,,,,  
29,2,,129100-55690,, "RING, RETAINING",,1,,1,,,,,,,,,,,,,  
30,2,,24321-000650,, "O-RING 1A G-65.0",,1,,1,,,,,,,,,,,,,  
31,2,,129100-55650,, "ELEMENT, FUEL",,1,,1,,,,,,,,,,,,,  
32,2,,129100-55700,, SPRING,,1,,1,,,,,,,,,,,,,  
33,2,,24311-000160,, "O-RING 1A P-16.0",,1,,1,,,,,,,,,,,,,  
34,1,,129335-55700,, "SEPARATOR, WATER",,1,,1,,,,,,,,,,,,,  
35,2,,104200-55321,, "VALVE, TAPER",,1,,1,,,,,,,,,,,,,  
36,2,,104200-55330,, "SPRING, TAPER VALVE",,1,,1,,,,,,,,,,,,,  
37,2,,104200-55341,, "HANDLE, COCK",,1,,1,,,,,,,,,,,,,  
38,2,,124064-55510,, "BOWL, FUEL STRAINER",,1,,1,,,,,,,,,,,,,  
39,2,,102103-55520,, O-RING,,1,,1,,,,,,,,,,,,,  
40,2,,110250-55610,, "RING, RETAINING",,1,,1,,,,,,,,,,,,,  
41,2,,121257-55720,, "SPRING, SCREEN",,1,,1,,,,,,,,,,,,,  
42,2,,121257-55731,, FLOAT,,1,,1,,,,,,,,,,,,,  
44,2,,101720-55750,, "PLUG 6",,2,,2,,,,,,,,,,,,,  
45,2,,104200-55750,, "SCREW M 4",,1,,1,,,,,,,,,,,,,  
46,2,,171081-55910,, SCREEN,,1,,1,,,,,,,,,,,,,  
47,2,,23418-060000,, "GASKET 6, NYLON",,2,,2,,,,,,,,,,,,,  
48,2,,24311-240100,, "O-RING 1A P-10A",,1,,1,,,,,,,,,,,,,  
49,1,,124766-59050,, "CLAMP 12",,10,,10,,,,,,,,,,,,,  
50,1,,22137-080000,, "WASHER 8, POLISHED",,2,,2,,Z,,,,,M60501,,,,,M60501  
51,1,,22217-080000,, "SPRING WASHER 8",,2,,2,,,,,,,,,,,,,  
52,1,,26116-080702,, "BOLT M 8X 70 PLATED",,2,,2,,,,,,,,,,,,,  
53,1,,29311-325000,, "GROMMET 32X5.0",,2,,2,,,,,,,,,,,,,  
54,1,,172124-17100,, "GAUGE UNIT, FUEL",,1,,1,,,,,,,,,,,,,  
55,1,,22190-050000,, "SEAL WASHER 5(BOLT)",,5,,5,,,,,,,,,,,,,  
56,1,,26557-050122,, "SCREW M 5X 12",,5,,5,,,,,,,,,,,,,  
57,1,,129322-77400,, "FEED PUMP",,1,,1,,,,,,,,,,,,,  
57-1,1,,129322-77401,, "FEED PUMP",,1,,1,,N,,,,,M60536,,,,,M60536  
58,1,,26013-060162,, "BOLT M 6X 16",,2,,2,,,,,,,,,,,,,  
59,1,,172116-14680,, "HOSE, VENT",,,,,,1,,,,,,,,,,,,

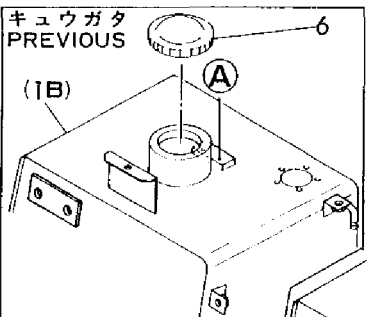
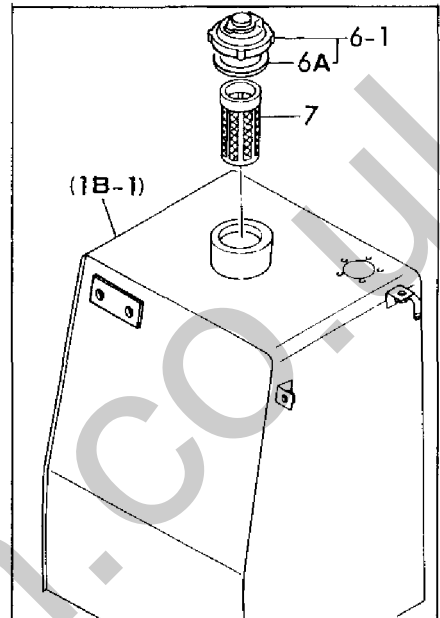
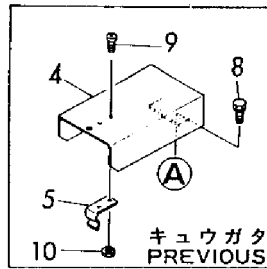
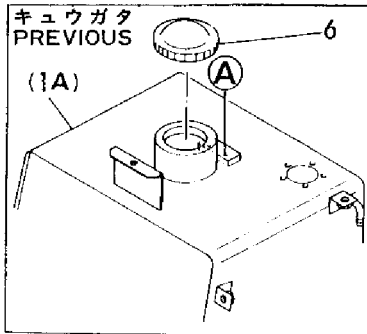
59-1,1,,172124-14640,, "HOSE L=750, FUEL",,1,,1,,N,,,,,M00502,,,,,M00502

Silverhorn.CO.UK

Fig. 12 FOタンク&FOパイプ  
FUEL TANK & FUEL LINE

SPEC. CODE  
D72125-14100  
D72124-14110  
D72124-14601

COUNTRY	J	P	N	S	W	W	G	F	A	D	M	N	L
Fig.No.	11	12	12	12	12	12	12	12	12	12	12	12	12



COUNTRY	J	P	N	W
APPLI-	-	-	-	-
CATION	-	-	-	-

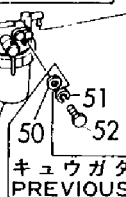
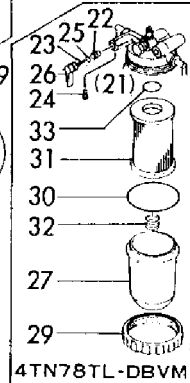
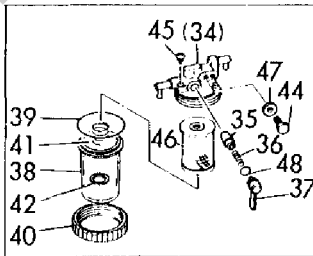
S	W	G	F	A	D	M
-	○	-	-	-	○	-

N	L
○	○

COUNTRY	J	P	N	S	W	W	G	F	A
APPLI-	-	-	-	-	-	○	-	-	-
CATION	-	-	-	-	-	○	-	-	-

D	M	N	L
○	○	○	○

- 1A inc.2~10 14,15
- 1B inc.2~10 11
- 1A-1 inc.2~7 12
- 1B-1 inc.2~7 13



4TN78TL-RBVMのF.O.フィルタはエンジン部(SECT.002) FIG.23 参照  
4TN78TL-RBVM : ASSEMBLED PARTS OF OIL FILTER=ENGINE (SECT.002)  
REFER TO FIG.23

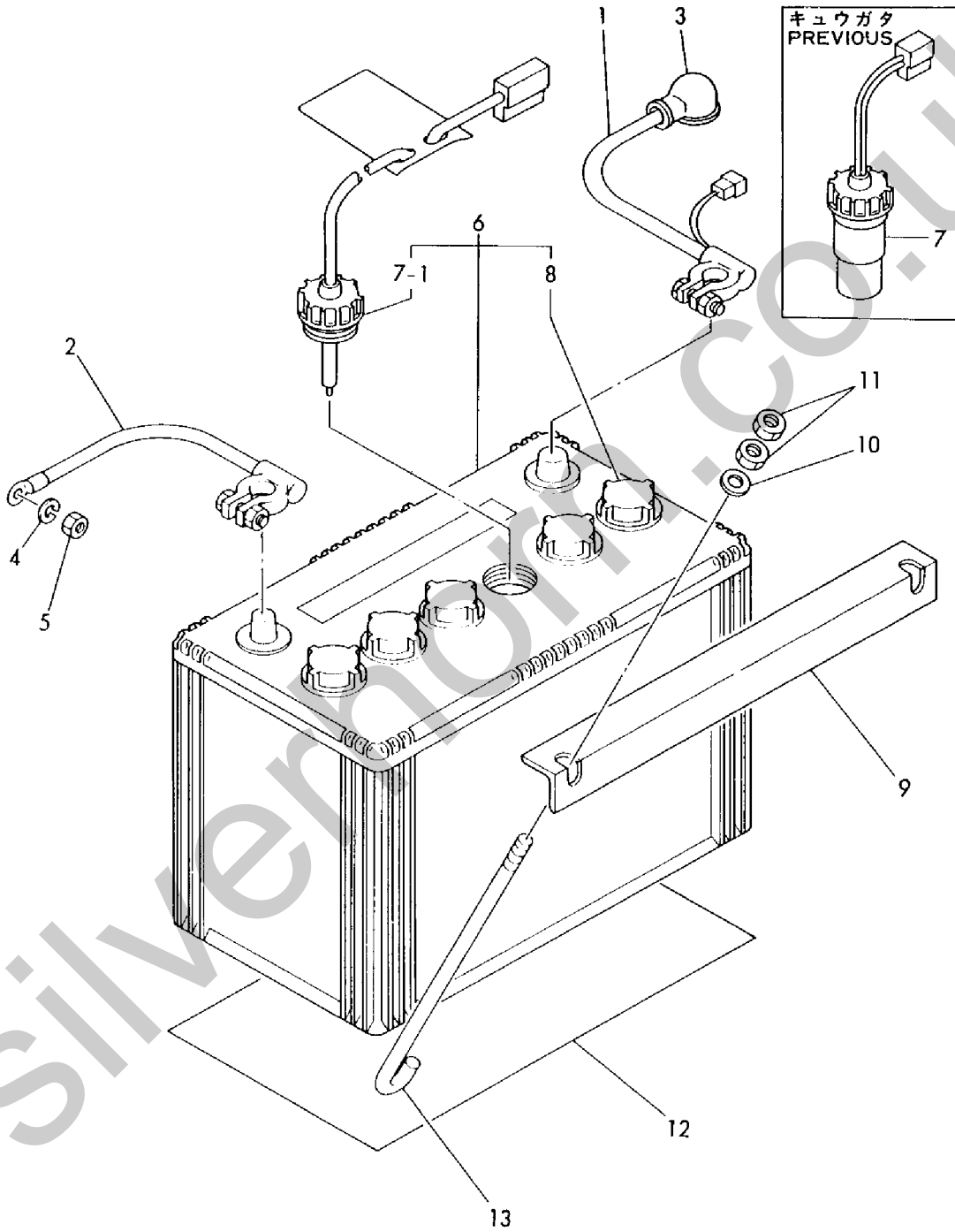
1,1,,172124-16100,, "CORD (+), BATTERY",1,1,,1,1,,,,,,,,,,,,,  
2,1,,172312-16100,, "CORD (-), BATTERY",1,1,,1,1,,,,,,,,,,,,,  
3,1,,124550-77030,, "COVER, TERMINAL",1,1,,1,1,,,,,,,,,,,,,  
4,1,,22217-100000,, "SPRING WASHER 10",1,1,,1,1,,,,,,,,,,,,,  
5,1,,26716-100002,, "NUT M10",1,1,,1,1,,,,,,,,,,,,,  
6,1,,933113-01200,, "BATTERY (NX120-7)",1,1,,1,1,,,,,,,,,,,,,  
6-1,1,,933113-01201,, "BATTERY (NX120-  
7)",1,1,,1,1,,S,,M00701,,M00701,,,,M00632,,M00632  
6-2,1,,172116-16100,, "BATTERY",1,1,,1,1,,S,,M10501,,M10501,,,,M10501,,M10501  
6-3,1,,933113-01201,, "BATTERY (NX120-  
7)",1,1,,1,1,,S,,\*1986.07,,\*1986.07,,,,\*1986.07,,\*1986.07  
7,2,,933113-01400,, "SENSOR",1,1,,1,1,,,,,,,,,,,,,  
7-1,2,,933113-01600,, "SENER,  
BATTERY",1,1,,1,1,,F,1,,M00701,,M00701,,,,M00632,,M00632  
8,2,,933113-01000,, "CAP (BATTERY",5,5,,5,5,,,,,,,,,,,,,  
9,1,,172116-16310,, "RETAINER, BATTERY",1,1,,1,1,,,,,,,,,,,,,  
10,1,,22157-080000,, "WASHER 8",2,2,,2,2,,,,,,,,,,,,,  
11,1,,26716-080002,, "NUT M 8",4,4,,4,4,,,,,,,,,,,,,  
12,1,,933171-15600,, "RUBBER,BATTERY MOUNT",1,1,,1,1,,,,,,,,,,,,,  
13,1,,933171-15710,, "ROD(B), BATTERY FIX",2,2,,2,2,,,,,,,,,,,,,





Fig. **13** バッテリ  
BATTERY

SPEC. CODE  
D72124-16100  
D72116-16300



1,1,,172124-16500,, "HARNESS (A), WIRE",1,,1,,,,,,,,,,,,,  
1-1,1,,172124-16501,, "HARNESS (A), WIRE",1,,1,,N,,,\*1986.06,,,,,,\*1986.06,,  
1-2,1,,172124-16502,, "HARNESS (A), WIRE",1,,1,,N,,M20519,,,,,,M20502,,  
2,1,,172116-16510,, "WIRE HARNESS(B",1,,1,,,,,,,,,,,,,  
3,1,,172124-16510,, "HARNESS (B), WIRE",1,,1,,,,,,,,,,,,,  
4,1,,172124-16520,, "HARNESS (C), WIRE",1,,1,,,,,,,,,,,,,  
5,1,,172124-16530,, "LEAD WIRE",1,,1,,,,,,,,,,,,,  
6,1,,172116-16560,, "LEAD WIRE(B",1,,1,,,,,,,,,,,,,  
7,1,,172124-16560,, "LEAD WIRE",1,,1,,,,,,,,,,,,,  
8,1,,172122-16570,, "LINK, FUSIBLE",1,,1,,,,,,,,,,,,,  
9,1,,172122-16580,, "HARNESS (D), WIRE",1,,1,,,,,,,,,,,,,  
10,1,,172122-16600,, "W-CLAMP",4,,4,,,,,,,,,,,,,  
11,1,,172122-16660,, "LEAD WIRE",1,,1,,,,,,,,,,,,,  
12,1,,172112-69790,, "PLUG 32X2",1,,1,,,,,,,,,,,,,  
13,1,,124550-77020,, "COVER, TERMINAL",1,,1,,,,,,,,,,,,,  
14,1,,124756-77040,, "COVER, TERMINAL",1,,1,,,,,,,,,,,,,  
15,1,,1E6102-84970,, "BAND 140,WIRE LOCK",2,,2,,Z,,M00501,,,,,,M00501,,  
16,1,,26013-100202,, "BOLT W/WASHER M10X20",1,,1,,,,,,,,,,,,,  
17,1,,26013-120202,, "BOLT W/WASHER M12X20",1,,1,,,,,,,,,,,,,  
18,1,,29321-255050,, "GROMMET, RUBBER",1,,1,,,,,,,,,,,,,  
19,1,,933171-15801,, "WIRE, EARTH",1,,1,,,,,,,,,,,,,  
20,1,,172511-17210,, "LAMP, GLOW",1,,1,,,,,,,,,,,,,  
21,2,,172734-17430,, "BULB 12V 13.4W",1,,1,,,,,,,,,,,,,  
22,1,,172116-17250,, "COVER, HEAD LIGHT",1,,1,,,,,,,,,,,,,  
23,1,,172734-17300,, "FUSE BOX",1,,1,,,,,,,,,,,,,  
24,2,,194145-52830,, "FUSE 10A",5,,5,,,,,,,,,,,,,  
24-1,2,,29411-100000,, "FUSE  
(10A),CARTRIDGE",5,,5,,R,,\*1987.05,,,,,,\*1987.05,,  
25,2,,194145-52840,, "FUSE 15A",3,,3,,,,,,,,,,,,,  
25-1,2,,29411-150000,, "FUSE  
(15A),CARTRIDGE",3,,3,,R,,\*1987.05,,,,,,\*1987.05,,  
26,2,,172734-17310,, "COVER",1,,1,,,,,,,,,,,,,  
27,1,,172116-17361,, "METER, FUEL LEVEL",1,,1,,,,,,,,,,,,,  
28,2,,933113-10110,, "BULB 12V 3.4W",1,,1,,,,,,,,,,,,,  
29,1,,172730-53610,, "LAMP, HEAD",1,,1,,,,,,,,,,,,,  
30,2,,194262-53080,, "BULB 12V-25W",1,,1,,,,,,,,,,,,,  
31,1,,171051-77100,, "RELAY, SAFETY",1,,1,,,,,,,,,,,,,  
32,1,,22117-100000,, "WASHER 10",2,,2,,,,,,,,,,,,,  
33,1,,124970-77920,, "TIMER, GLOW PLUG",1,,1,,,,,,,,,,,,,  
34,1,,22137-060000,, "WASHER 6, POLISHED",2,,2,,,,,,,,,,,,,  
35,1,,933113-15900,, "COVER, SWITCH TERMI.",1,,1,,,,,,,,,,,,,  
36,1,,22137-100000,, "WASHER 10,POLISHED",2,,2,,,,,,,,,,,,,  
37,1,,26013-060122,, "BOLT M 6X 12",2,,2,,,,,,,,,,,,,  
38,1,,172116-17460,, "STAY, WORK LAMP",1,,1,,,,,,,,,,,,,  
39,1,,26013-100162,, "BOLT M10X 16",2,,2,,,,,,,,,,,,,  
40,1,,26013-100202,, "BOLT W/WASHER M10X20",4,,4,,,,,,,,,,,,,  
41,1,,26013-100202,, "BOLT W/WASHER M10X20",2,,2,,,,,,,,,,,,,  
42,1,,26022-060122,, "SCREW M 6X 12",2,,2,,,,,,,,,,,,,  
43,1,,26022-060162,, "SCREW M 6X 16",2,,2,,,,,,,,,,,,,  
44,1,,26022-060202,, "SCREW M 6X 20",1,,1,,,,,,,,,,,,,  
45,1,,26033-030122,, "SCREW M 3X12",2,,2,,,,,,,,,,,,,  
46,1,,26347-030002,, "U-NUT M 3",2,,2,,,,,,,,,,,,,  
47,1,,26716-100002,, "NUT M10",1,,1,,,,,,,,,,,,,  
48,1,,933110-00100,, "SWITCH ASSY, STARTER",1,,1,,,,,,,,,,,,,  
50,2,,933110-00301,, "KEY ASSY",1,,1,,,,,,,,,,,,,  
51,1,,933110-05300,, "HORN",1,,1,,,,,,,,,,,,,  
52,1,,933113-03000,, "SWITCH, LIGHTING",1,,1,,,,,,,,,,,,,  
53,1,,933113-05000,, "BOX ASSY, PILOT",1,,1,,,,,,,,,,,,,  
53-1,1,,933113-05001,, "BOX ASSY, PILOT",1,,1,,N,,M00896,,,,,,M00896,,  
55,2,,933113-05120,, "BULB 12V 1.7W",5,,5,,,,,,,,,,,,,  
56,1,,933113-10100,, "METER, TEMPERATURE",1,,1,,,,,,,,,,,,,  
56-1,1,,172734-17220,, "THERMOMETER ASSY",1,,1,,N,,M10501,,,,,,M10501,,  
57,2,,933113-10110,, "BULB 12V 3.4W",1,,1,,,,,,,,,,,,,

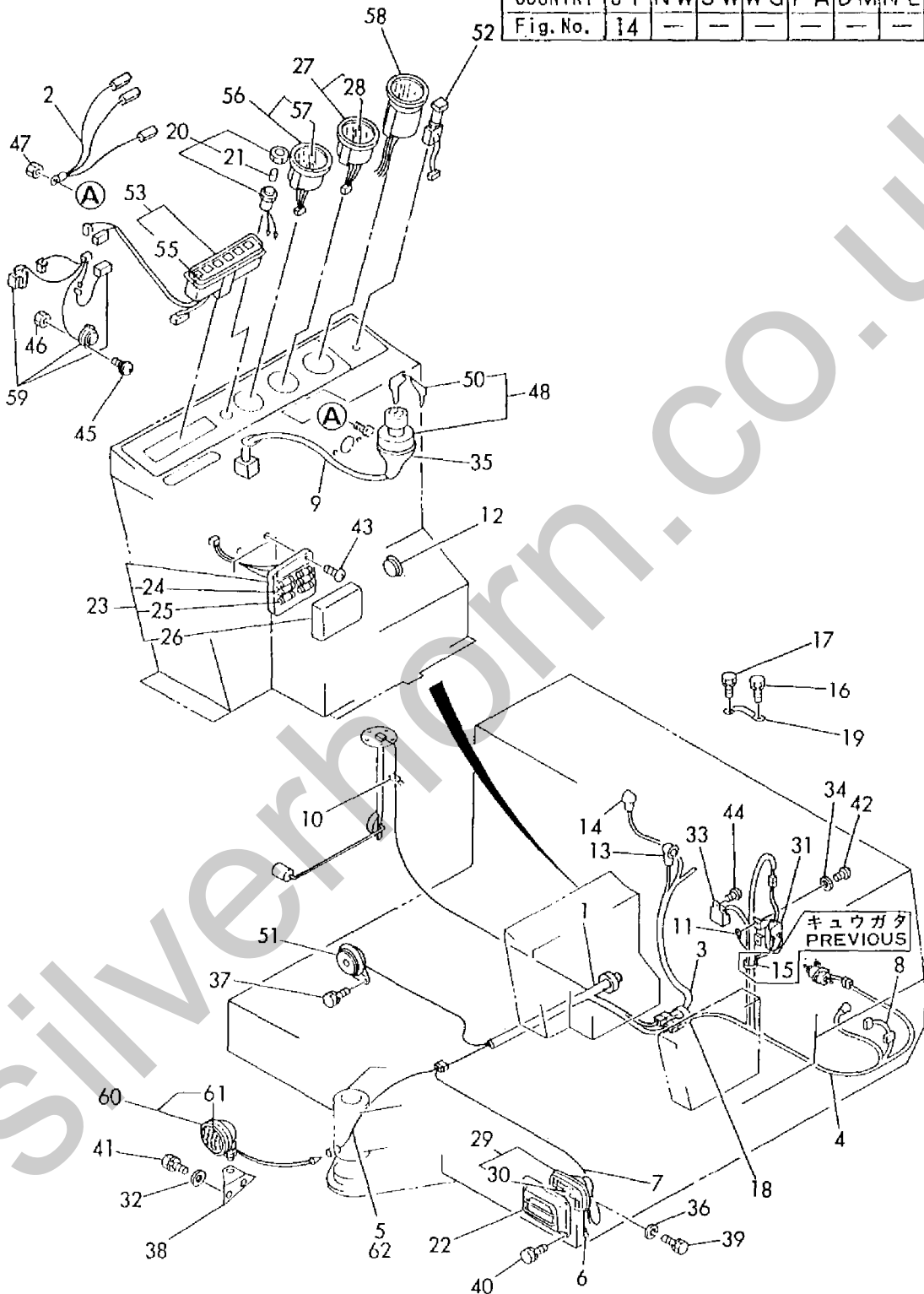
58,1,,933113-10300,, "HOURMETER ASSY.",1,,1,,,,,,,,,,,,,  
59,1,,933113-15400,, CONTROLLER,1,,1,,,,,,,,,,,,,  
59-1,1,,933113-15401,, CONTROLLER,1,,1,,F,1,,M00701,,,,,,M00632,,  
60,1,,172116-17430,, "LAMP, WORK",1,,1,,,,,,,,,,,,,  
60-1,1,,172116-17431,, "LAMP, WORK",1,,1,,N,,M00677,,,,,,M00631,,  
61,2,,172116-17440,, "BULB 12V 60W",1,,1,,,,,,,,,,,,,  
61-1,2,,172116-17441,, "BULB 14V 60W",1,,1,,N,,M00677,,,,,,M00631,,  
62,1,,172132-16530,, "WIRE, BOOM LIGHT",1,,1,,2,,,,,,,,,,,,,

Silverhorn.CO.UK

SPEC. CODE  
 D72124-16510  
 D72132-16510  
 D72124-17110  
 D72116-17410

Fig. 14 デンソウヒン(キャノピ)  
 ELECTRIC PART (CANOPY SPEC.)

COUNTRY	J	P	N	S	W	G	F	A	D	M	N	L
Fig.No.	14	—	—	—	—	—	—	—	—	—	—	—



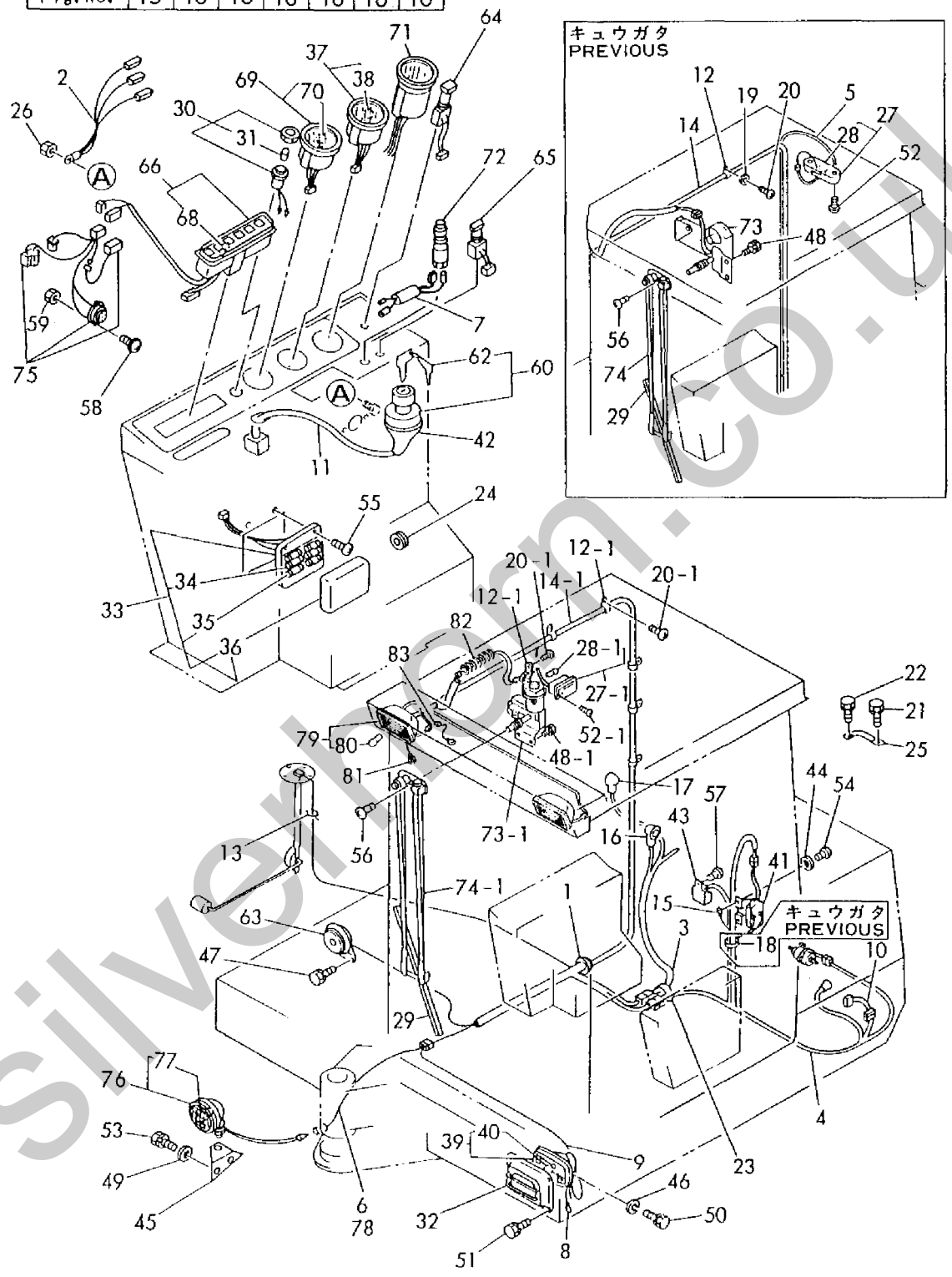
1,1,,172124-16500,, "HARNESS (A), WIRE",,1,,1,,,,,,,,,,,,,  
1-1,1,,172124-16501,, "HARNESS (A), WIRE",,1,,1,N,,,,,\*1986.06,,,,,\*1986.06  
1-2,1,,172124-16502,, "HARNESS (A), WIRE",,1,,1,N,,,,,M20519,,,,,M20502  
2,1,,172116-16510,, "WIRE HARNESS(B",,1,,1,,,,,,,,,,,,,  
3,1,,172124-16510,, "HARNESS (B), WIRE",,1,,1,,,,,,,,,,,,,  
4,1,,172124-16520,, "HARNESS (C), WIRE",,1,,1,,,,,,,,,,,,,  
5,1,,172122-16530,, "LEAD WIRE",,1,,1,Z,,,,,M20519,,,,,M20519  
6,1,,172124-16530,, "LEAD WIRE",,1,,1,,,,,,,,,,,,,  
7,1,,172122-16540,, "LEAD WIRE",,1,,1,,,,,,,,,,,,,  
8,1,,172116-16560,, "LEAD WIRE(B",,1,,1,,,,,,,,,,,,,  
9,1,,172124-16560,, "LEAD WIRE",,1,,1,,,,,,,,,,,,,  
10,1,,172122-16570,, "LINK, FUSIBLE",,1,,1,,,,,,,,,,,,,  
11,1,,172122-16580,, "HARNESS (D), WIRE",,1,,1,,,,,,,,,,,,,  
12,1,,172122-16590,, "BAND 200F",,18,,18,,,,,,,,,,,,,  
12-1,1,,172122-16590,, "BAND 200F",,12,,12,K,,,,,M00501,,,,,M00501  
13,1,,172122-16600,, "W-CLAMP",,4,,4,,,,,,,,,,,,,  
14,1,,172122-16620,, "LEAD WIRE",,1,,1,,,,,,,,,,,,,  
14-1,1,,172135-16550,, "WIRE HARNESS",,1,,1,S,,,,,M20519,,,,,M20502  
15,1,,172122-16660,, "LEAD WIRE",,1,,1,,,,,,,,,,,,,  
16,1,,124550-77020,, "COVER, TERMINAL",,1,,1,,,,,,,,,,,,,  
17,1,,124756-77040,, "COVER, TERMINAL",,1,,1,,,,,,,,,,,,,  
18,1,,1E6102-84970,, "BAND 140,WIRE LOCK",,2,,2,Z,,,,,M00501,,,,,M00501  
19,1,,22137-040000,, "WASHER 4, POLISHED",,18,,18,Z,,,,,M00501,,,,,M00501  
20,1,,22857-400120,, "SCREW 4X12",,18,,18,,,,,,,,,,,,,  
20-1,1,,22857-400120,, "SCREW 4X12",,12,,12,K,,,,,M00501,,,,,M00501  
21,1,,26013-100202,, "BOLT W/WASHER M10X20",,1,,1,,,,,,,,,,,,,  
22,1,,26013-120202,, "BOLT W/WASHER M12X20",,1,,1,,,,,,,,,,,,,  
23,1,,29321-255050,, "GROMMET, RUBBER",,1,,1,,,,,,,,,,,,,  
24,1,,933171-15680,, "GROMMET 40X13",,1,,1,,,,,,,,,,,,,  
25,1,,933171-15801,, "WIRE, EARTH",,1,,1,,,,,,,,,,,,,  
26,1,,26716-100002,, "NUT M10",,1,,1,,,,,,,,,,,,,  
27,1,,172112-17051,, "LAMP ASSY, ROOM",,1,,1,,,,,,,,,,,,,  
27-1,1,,933113-05150,, "LAMP, ROOM",,1,,1,S,,,,,M20519,,,,,M20502  
28,2,,172112-17060,, "BULB 12V 10W",,1,,1,,,,,,,,,,,,,  
28-1,2,,933113-05160,, "BULB (12V5W)",,1,,1,S,,,,,M20519,,,,,M20502  
29,1,,172734-17070,, "BLADE 450, WIPER",,1,,1,,,,,,,,,,,,,  
30,1,,172511-17210,, "LAMP, GLOW",,1,,1,,,,,,,,,,,,,  
31,2,,172734-17430,, "BULB 12V 13.4W",,1,,1,,,,,,,,,,,,,  
32,1,,172116-17250,, "COVER, HEAD LIGHT",,1,,1,,,,,,,,,,,,,  
33,1,,172734-17300,, "FUSE BOX",,1,,1,,,,,,,,,,,,,  
34,2,,194145-52830,, "FUSE 10A",,5,,5,,,,,,,,,,,,,  
34-1,2,,29411-100000,, "FUSE  
(10A), CARTRIDGE",,5,,5,R,,,,,\*1987.05,,,,,\*1987.05  
35,2,,194145-52840,, "FUSE 15A",,3,,3,,,,,,,,,,,,,  
35-1,2,,29411-150000,, "FUSE  
(15A), CARTRIDGE",,3,,3,R,,,,,\*1987.05,,,,,\*1987.05  
36,2,,172734-17310,, "COVER",,1,,1,,,,,,,,,,,,,  
37,1,,172116-17361,, "METER, FUEL LEVEL",,1,,1,,,,,,,,,,,,,  
38,2,,933113-10110,, "BULB 12V 3.4W",,1,,1,,,,,,,,,,,,,  
39,1,,172730-53610,, "LAMP, HEAD",,1,,1,,,,,,,,,,,,,  
40,2,,194262-53080,, "BULB 12V-25W",,1,,1,,,,,,,,,,,,,  
41,1,,171051-77100,, "RELAY, SAFETY",,1,,1,,,,,,,,,,,,,  
42,1,,933113-15900,, "COVER, SWITCH TERMI.",,1,,1,,,,,,,,,,,,,  
43,1,,124970-77920,, "TIMER, GLOW PLUG",,1,,1,,,,,,,,,,,,,  
44,1,,22137-060000,, "WASHER 6, POLISHED",,2,,2,,,,,,,,,,,,,  
45,1,,172116-17460,, "STAY, WORK LAMP",,1,,1,,,,,,,,,,,,,  
46,1,,22137-100000,, "WASHER 10,POLISHED",,2,,2,,,,,,,,,,,,,  
47,1,,26013-060122,, "BOLT M 6X 12",,2,,2,,,,,,,,,,,,,  
48,1,,26013-060162,, "BOLT M 6X 16",,3,,3,,,,,,,,,,,,,  
48-1,1,,26013-060122,, "BOLT M 6X 12",,3,,3,S,,,,,M20519,,,,,M20519  
49,1,,22117-100000,, "WASHER 10",,2,,2,,,,,,,,,,,,,  
50,1,,26013-100162,, "BOLT M10X 16",,2,,2,,,,,,,,,,,,,  
51,1,,26013-100202,, "BOLT W/WASHER M10X20",,4,,4,,,,,,,,,,,,,

52,1,,26022-050122,, "SCREW M 5X 12",,2,,2,,,,,,,,,,,,,  
 52-1,1,,22857-400100,, "SCREW 4X10",,2,,2,S,,,,,M20519,,,,,M20502  
 53,1,,26013-100202,, "BOLT W/WASHER M10X20",,2,,2,,,,,,,,,,,,,  
 54,1,,26022-060122,, "SCREW M 6X 12",,2,,2,,,,,,,,,,,,,  
 55,1,,26022-060162,, "SCREW M 6X 16",,2,,2,,,,,,,,,,,,,  
 56,1,,26022-060162,, "SCREW M 6X 16",,1,,1,,,,,,,,,,,,,  
 57,1,,26022-060202,, "SCREW M 6X 20",,1,,1,,,,,,,,,,,,,  
 58,1,,26033-030122,, "SCREW M 3X12",,2,,2,,,,,,,,,,,,,  
 59,1,,26347-030002,, "U-NUT M 3",,2,,2,,,,,,,,,,,,,  
 60,1,,933110-00100,, "SWITCH ASSY, STARTER",,1,,1,,,,,,,,,,,,,  
 62,2,,933110-00301,, "KEY ASSY",,1,,1,,,,,,,,,,,,,  
 63,1,,933110-05300,, "HORN",,1,,1,,,,,,,,,,,,,  
 64,1,,933113-03000,, "SWITCH, LIGHTING",,1,,1,,,,,,,,,,,,,  
 65,1,,933113-03100,, "SWITCH, WIPER",,1,,1,,,,,,,,,,,,,  
 66,1,,933113-05000,, "BOX ASSY, PILOT",,1,,1,,,,,,,,,,,,,  
 66-1,1,,933113-05001,, "BOX ASSY, PILOT",,1,,1,N,,,,,M00896,,,,,M00896  
 68,2,,933113-05120,, "BULB 12V 1.7W",,5,,5,,,,,,,,,,,,,  
 69,1,,933113-10100,, "METER, TEMPERATURE",,1,,1,,,,,,,,,,,,,  
 69-1,1,,172734-17220,, "THERMOMETER ASSY",,1,,1,N,,,,,M10501,,,,,M10501  
 70,2,,933113-10110,, "BULB 12V 3.4W",,1,,1,,,,,,,,,,,,,  
 71,1,,933113-10300,, "HOURMETER ASSY.",,1,,1,,,,,,,,,,,,,  
 72,1,,933113-15000,, "CIGAR LIGHTER ASSY",,1,,1,,,,,,,,,,,,,  
 73,1,,933113-15200,, "MOTOR 520, WIPER",,1,,1,,,,,,,,,,,,,  
 73-1,1,,933113-16200,, "MOTER 520 A, WIPER",,1,,1,S,,,,,M20519,,,,,M20502  
 74,1,,933113-15300,, "ARM 500, WIPER",,1,,1,,,,,,,,,,,,,  
 74-1,1,,172135-16540,, "ARM 550, WIPER",,1,,1,S,,,,,M20519,,,,,M20502  
 75,1,,933113-15400,, "CONTROLLER",,1,,1,,,,,,,,,,,,,  
 75-1,1,,933113-15401,, "CONTROLLER",,1,,1,F,1,,,,,M00701,,,,,M00632  
 76,1,,172116-17430,, "LAMP, WORK",,1,,1,,,,,,,,,,,,,  
 76-1,1,,172116-17431,, "LAMP, WORK",,1,,1,N,,,,,M00677,,,,,M00631  
 77,2,,172116-17440,, "BULB 12V 60W",,1,,1,,,,,,,,,,,,,  
 77-1,2,,172116-17441,, "BULB 14V 60W",,1,,1,N,,,,,M00677,,,,,M00631  
 78,1,,172132-16530,, "WIRE, BOOM LIGHT",,1,,1,2,,,,,,,,,,,,,  
 79,1,,933113-05220,, "LAMP, HEAD",,2,,2,W,,,,,M20519,,,,,M20502  
 80,2,,933113-05230,, "BULB (12V20W)",,2,,2,W,,,,,M20519,,,,,M20502  
 81,1,,26013-080162,, "BOLT W/WASHER M8X16",,2,,2,W,,,,,M20519,,,,,M20502  
 82,1,,172137-16000,, "WIRE",,1,,1,W,,,,,M20519,,,,,M20502  
 83,1,,172116-16560,, "LEAD WIRE(B)",,1,,1,W,,,,,M20519,,,,,M20502

SPEC. CODE  
 D72132-16500  
 D72124-16530  
 D72135-17130  
 D72124-17140  
 D72116-17410

Fig. 15 デンソウヒン(キャビン)  
 ELECTRIC PART (CABIN SPEC.)

COUNTRY	J	P	N	W	S	W	G	F	A	D	M	N	L
Fig. No.	15	16	16	16	16	16	16	16	16	16	16	16	16



1,1,,172124-16500,, "HARNESS (A), WIRE",,1,,1,,,,,,,,,,,,,  
1-1,1,,172124-16501,, "HARNESS (A), WIRE",,1,,1,N,,,,,\*1986.06,,,,,\*1986.06  
1-2,1,,172124-16502,, "HARNESS (A), WIRE",,1,,1,N,,,,,\*1987.04,,,,,\*1987.04  
2,1,,172116-16510,, "WIRE HARNESS(B",,1,,1,,,,,,,,,,,,,  
3,1,,172124-16510,, "HARNESS (B), WIRE",,1,,1,,,,,,,,,,,,,  
4,1,,172122-16520,, "HARNESS (D), WIRE",,1,,1,,,,,,,,,,,,,  
4-1,1,,172122-16521,, "HARNESS (D), WIRE",,1,,1,S,,,,,\*1984.09  
5,1,,172124-16520,, "HARNESS (C), WIRE",,1,,1,,,,,,,,,,,,,  
6,1,,172122-16530,, "LEAD WIRE",,1,,1,,,,,,,,,,,,,  
7,1,,172124-16530,, "LEAD WIRE",,1,,1,,,,,,,,,,,,,  
8,1,,172122-16540,, "LEAD WIRE",,1,,1,,,,,,,,,,,,,  
9,1,,172116-16560,, "LEAD WIRE(B",,1,,1,,,,,,,,,,,,,  
10,1,,172124-16560,, "LEAD WIRE",,1,,1,,,,,,,,,,,,,  
11,1,,172122-16570,, "LINK, FUSIBLE",,1,,1,,,,,,,,,,,,,  
12,1,,172122-16580,, "HARNESS (D), WIRE",,1,,1,,,,,,,,,,,,,  
13,1,,172122-16590,, "BAND 200F",,12,,12,,,,,,,,,,,,,  
14,1,,172122-16600,, "W-CLAMP",,4,,4,,,,,,,,,,,,,  
15,1,,172122-16660,, "LEAD WIRE",,1,,1,,,,,,,,,,,,,  
16,1,,124550-77020,, "COVER, TERMINAL",,1,,1,,,,,,,,,,,,,  
17,1,,124756-77040,, "COVER, TERMINAL",,1,,1,,,,,,,,,,,,,  
18,1,,1E6102-84970,, "BAND 140,WIRE LOCK",,2,,Z,,,,,MXXXXXX  
19,1,,22137-040000,, "WASHER 4, POLISHED",,12,,Z,,,,,MXXXXXX  
20,1,,22857-400120,, "SCREW 4X12",,12,,12,,,,,,,,,,,,,  
21,1,,26013-100202,, "BOLT W/WASHER M10X20",,1,,1,,,,,,,,,,,,,  
22,1,,26013-120202,, "BOLT W/WASHER M12X20",,1,,1,,,,,,,,,,,,,  
23,1,,26716-100002,, "NUT M10",,1,,1,,,,,,,,,,,,,  
24,1,,29321-255050,, "GROMMET, RUBBER",,1,,1,,,,,,,,,,,,,  
25,1,,933171-15680,, "GROMMET 40X13",,1,,1,,,,,,,,,,,,,  
26,1,,933171-15801,, "WIRE, EARTH",,1,,1,,,,,,,,,,,,,  
27,1,,172112-17051,, "LAMP ASSY, ROOM",,1,,1,,,,,,,,,,,,,  
28,2,,172112-17060,, "BULB 12V 10W",,1,,1,,,,,,,,,,,,,  
29,1,,172734-17070,, "BLADE 450, WIPER",,1,,1,,,,,,,,,,,,,  
30,1,,172511-17210,, "LAMP, GLOW",,1,,1,,,,,,,,,,,,,  
31,2,,172734-17430,, "BULB 12V 13.4W",,1,,1,,,,,,,,,,,,,  
32,1,,172116-17250,, "COVER, HEAD LIGHT",,1,,1,,,,,,,,,,,,,  
33,1,,172734-17300,, "FUSE BOX",,1,,1,,,,,,,,,,,,,  
34,2,,172734-17310,, "COVER",,1,,1,,,,,,,,,,,,,  
35,2,,194145-52830,, "FUSE 10A",,5,,5,,,,,,,,,,,,,  
35-1,2,,29411-100000,, "FUSE  
(10A), CARTRIDGE",,5,,5,R,,,,,\*1987.05,,,,,\*1987.05  
36,2,,194145-52840,, "FUSE 15A",,3,,3,,,,,,,,,,,,,  
36-1,2,,29411-150000,, "FUSE  
(15A), CARTRIDGE",,3,,3,R,,,,,\*1987.05,,,,,\*1987.05  
37,1,,172116-17361,, "METER, FUEL LEVEL",,1,,1,,,,,,,,,,,,,  
38,2,,933113-10110,, "BULB 12V 3.4W",,1,,1,,,,,,,,,,,,,  
39,1,,172730-53610,, "LAMP, HEAD",,1,,1,,,,,,,,,,,,,  
40,2,,194262-53080,, "BULB 12V-25W",,1,,1,,,,,,,,,,,,,  
41,1,,171051-77100,, "RELAY, SAFETY",,1,,1,,,,,,,,,,,,,  
42,1,,22137-060000,, "WASHER 6, POLISHED",,2,,2,,,,,,,,,,,,,  
43,1,,124970-77920,, "TIMER, GLOW PLUG",,1,,1,,,,,,,,,,,,,  
44,1,,22137-100000,, "WASHER 10,POLISHED",,2,,2,,,,,,,,,,,,,  
45,1,,172119-16520,, "LEAD WIRE (B)",,2,,,,,,,,,,,,,  
46,1,,26013-060122,, "BOLT M 6X 12",,2,,,,,,,,,,,,,  
47,1,,26013-060122,, "BOLT M 6X 12",,3,,3,,,,,,,,,,,,,  
48,1,,172119-17120,, "HORN",,1,,,,,,,,,,,,,  
49,1,,26013-100162,, "BOLT M10X 16",,2,,2,,,,,,,,,,,,,  
50,1,,26013-100202,, "BOLT W/WASHER M10X20",,4,,4,,,,,,,,,,,,,  
51,1,,26022-050122,, "SCREW M 5X 12",,2,,2,,,,,,,,,,,,,  
52,1,,26022-060162,, "SCREW M 6X 16",,2,,2,,,,,,,,,,,,,  
53,1,,26022-060162,, "SCREW M 6X 16",,1,,1,,,,,,,,,,,,,  
54,1,,26022-060202,, "SCREW M 6X 20",,1,,1,,,,,,,,,,,,,  
55,1,,26022-060122,, "SCREW M 6X 12",,2,,2,,,,,,,,,,,,,  
56,1,,26033-030122,, "SCREW M 3X12",,2,,2,,,,,,,,,,,,,



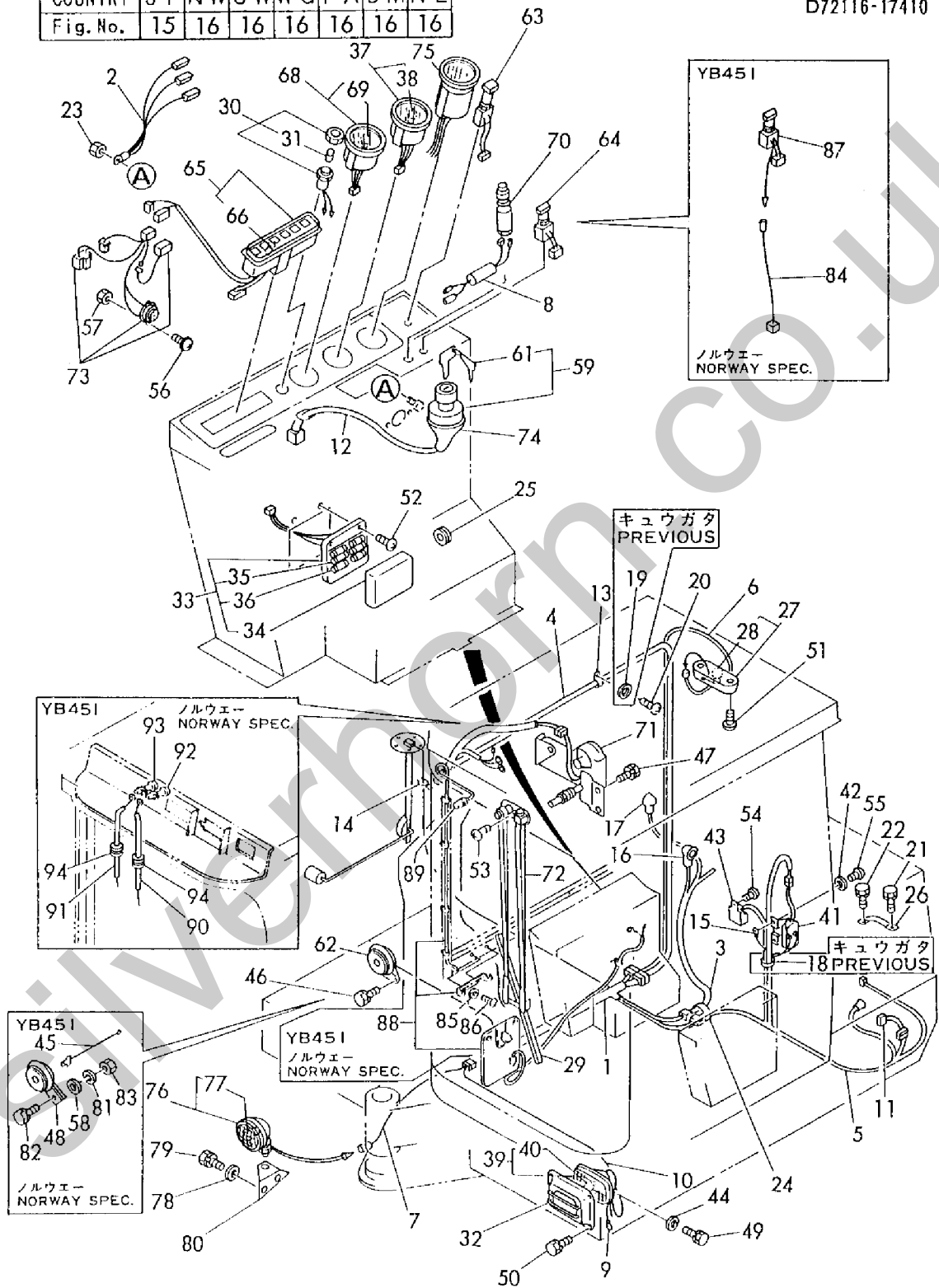
57,1,,26347-030002,, "U-NUT M 3",,2,,2,,,,,,,,,,,,,  
58,1,,22137-100000,, "WASHER 10,POLISHED",,1,,,,,,,,,,,,,  
59,1,,933110-00100,, "SWITCH ASSY, STARTER",,1,,1,,,,,,,,,,,,,  
61,2,,933110-00301,, "KEY ASSY",,1,,1,,,,,,,,,,,,,  
62,1,,933110-05300,, HORN,,,,,1,,,,,,,,,,,,,  
63,1,,933113-03000,, "SWITCH, LIGHTING",,1,,1,,,,,,,,,,,,,  
64,1,,933113-03100,, "SWITCH, WIPER",,1,,,,,,,,,,,,,  
65,1,,933113-05000,, "BOX ASSY, PILOT",,1,,1,,,,,,,,,,,,,  
65-1,1,,933113-05001,, "BOX ASSY, PILOT",,1,,1,N,,,,,\*1986.11,,,,,\*1986.11  
66,2,,933113-05120,, "BULB 12V 1.7W",,5,,5,,,,,,,,,,,,,  
68,1,,933113-10100,, "METER, TEMPERATURE",,1,,1,,,,,,,,,,,,,  
68-1,1,,172734-17220,, "THERMOMETER ASSY",,1,,1,S,,,,M50001,,,,,M50001  
69,2,,933113-10110,, "BULB 12V 3.4W",,1,,1,,,,,,,,,,,,,  
70,1,,933113-15000,, "CIGAR LIGHTER ASSY",,1,,1,,,,,,,,,,,,,  
71,1,,933113-15200,, "MOTOR 520, WIPER",,1,,1,,,,,,,,,,,,,  
72,1,,933113-15300,, "ARM 500, WIPER",,1,,1,,,,,,,,,,,,,  
73,1,,933113-15400,, CONTROLLER,,1,,1,,,,,,,,,,,,,  
73-1,1,,933113-15401,, CONTROLLER,,,,,1,F,1,,,,,M00632  
74,1,,933113-15900,, "COVER, SWITCH TERMI.",,1,,1,,,,,,,,,,,,,  
75,1,,933113-10300,, "HOURMETER ASSY.",,1,,1,,,,,,,,,,,,,  
76,1,,172116-17430,, "LAMP, WORK",,1,,,,,,,,,,,,,  
76-1,1,,172116-17431,, "LAMP, WORK",,1,,1,N,,,,,\*1985.06  
77,2,,172116-17440,, "BULB 12V 60W",,1,,,,,,,,,,,,,  
77-1,2,,172116-17441,, "BULB 14V 60W",,1,,1,N,,,,,\*1985.06  
78,1,,22117-100000,, "WASHER 10",,2,,2,,,,,,,,,,,,,  
79,1,,26013-100202,, "BOLT W/WASHER M10X20",,2,,2,,,,,,,,,,,,,  
80,1,,172116-17460,, "STAY, WORK LAMP",,1,,1,,,,,,,,,,,,,  
81,1,,22217-100000,, "SPRING WASHER 10",,1,,,,,,,,,,,,,  
82,1,,26116-100302,, "BOLT M10X 30 PLATED",,1,,,,,,,,,,,,,  
83,1,,26716-100002,, "NUT M10",,1,,,,,,,,,,,,,  
84,1,,172122-16630,, "LEAD WIRE",,1,,,,,,,,,,,,,  
85,1,,22137-050000,, "WASHER 5, POLISHED",,2,,,,,,,,,,,,,  
86,1,,22857-500120,, "SCREW 5X12",,2,,,,,,,,,,,,,  
87,1,,933113-03300,, "SWITCH, WIPER",,1,,,,,,,,,,,,,  
88,1,,933113-15600,, "WINDOW WASHER",,1,,,,,,,,,,,,,  
89,2,,933113-15800,, "NOZZLE, WASHER",,1,,,,,,,,,,,,,  
90,1,,172124-16590,, "LEAD WIRE, LAMP",,1,,,,,,,,,,,,,  
91,1,,172124-16600,, "LEAD WIRE",,1,,,,,,,,,,,,,  
92,1,,172119-17130,, SWITCH,,1,,,,,,,,,,,,,  
93,1,,172119-17140,, SWITCH,,1,,,,,,,,,,,,,  
94,1,,933168-56000,, "GROMMET 17X19",,2,,,,,,,,,,,,,



Fig. 16 デンソウヒン(キャビン)  
ELECTRIC PART (CABIN SPEC.)

SPEC. CODE  
D72124-16520  
D72124-17100  
D72122-17130  
D72124-17130  
D72122-17140  
D72124-17170  
D72116-17410

COUNTRY	J	P	N	S	W	G	F	A	D	M	N	L
Fig. No.	15	16	16	16	16	16	16	16	16	16	16	16



1,1,,772124-17600,, "HEATER ASSY",,,,,,1,,,,,  
2,2,,172124-17600,, "HOSE ASSY,CORRUGAT",,,,,,2,,,,,  
3,2,,172124-17630,, "VALVE, MINIATURE",,,,,,1,,,,,  
4,2,,104511-49060,,CONNECTOR,,,,,2,,,,,  
4-1,2,,172124-17640,, "JOINT 3/8",,,,,,2,N,,,,,\*1985.12  
5,2,,22137-100000,, "WASHER 10,POLISHED",,,,,,3,,,,,  
6,2,,23000-022000,, "CLAMP 22",,,,,,4,,,,,  
7,2,,26013-100202,, "BOLT W/WASHER M10X20",,,,,,3,,,,,  
8,2,,29321-405120,, "GROMMET 40X5.0",,,,,,1,,,,,  
9,2,,933113-03200,, "SWITCH, HEATER",,,,,,1,,,,,  
10,2,,933113-15700,, "HEATER ASSY",,,,,,1,,,,,  
11,2,,933152-09280,, "BAND 170",,,,,,1,,,,,  
12,1,,772124-17700,, "DEFROSTER ASSY",,,,,,1,,,,,  
13,2,,172122-16590,, "BAND 200F",,,,,,2,,,,,  
14,2,,172122-17700,, "STAY, NOZZLE",,,,,,2,,,,,  
14-1,2,,172122-17701,, "STAY, NOZZLE",,,,,,2,N,,,,,\*1988.04  
15,2,,172124-17700,, "HOSE(L), DEFROSTER",,,,,,1,,,,,  
16,2,,172120-17710,, "NOZZLE, DEFROSTER",,,,,,2,,,,,  
17,2,,172124-17740,, "HOSE(R), DEFROSTER",,,,,,1,,,,,  
18,2,,22137-100000,, "WASHER 10,POLISHED",,,,,,4,,,,,  
19,2,,22857-400120,, "SCREW 4X12",,,,,,2,,,,,  
20,2,,26013-100252,, "BOLT W/WASHER M10X25",,,,,,4,,,,,  
21,1,,772124-17610,, "PIPING,HEATER",,1,,,,,1,,,,,  
22,2,,172124-16580,, "WIRE,HEATER LEAD",,1,,,,,1,,,,,  
23,2,,172312-17610,, "HOSE ASSY, HEATER",,2,,,,,2,,,,,  
24,2,,172124-17630,, "VALVE, MINIATURE",,1,,,,,1,,,,,  
25,2,,172124-17640,, "JOINT 3/8",,2,,,,,2,,,,,  
26,2,,933113-15700,, "HEATER ASSY",,1,,,,,1,,,,,  
27,2,,23000-022000,, "CLAMP 22",,2,,,,,2,,,,,  
28,2,,29321-405120,, "GROMMET 40X5.0",,1,,,,,1,,,,,  
29,2,,933113-03200,, "SWITCH, HEATER",,1,,,,,1,,,,,  
30,2,,933152-09280,, "BAND 170",,2,,,,,2,,,,,  
31,2,,22137-100000,, "WASHER 10,POLISHED",,3,,,,,3,,,,,  
32,2,,26013-100202,, "BOLT W/WASHER M10X20",,3,,,,,3,,,,,



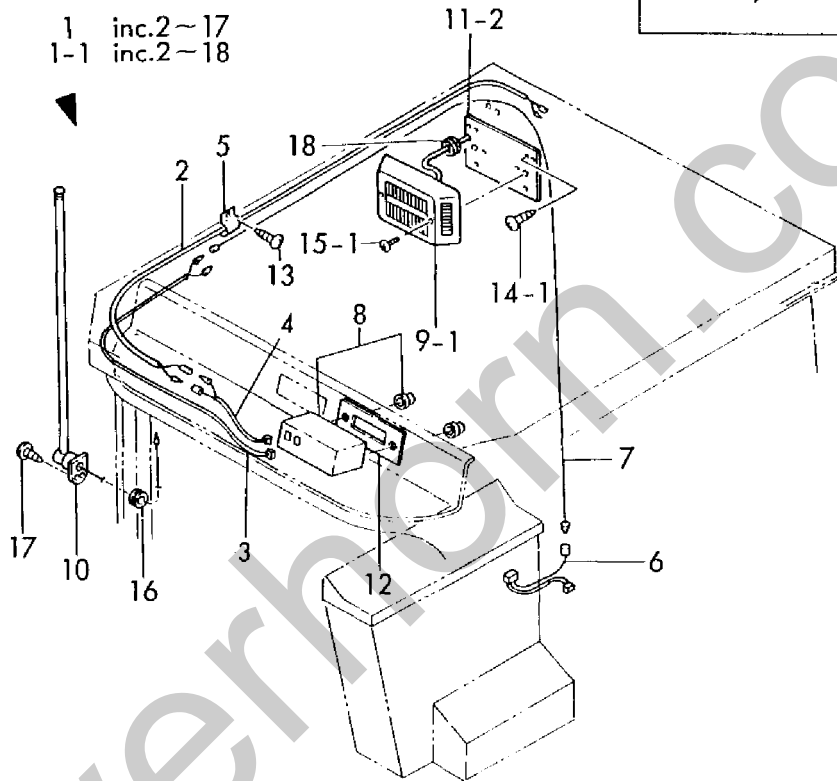
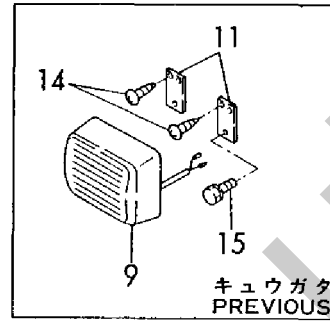
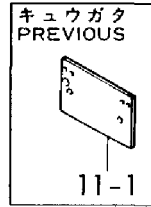


1,1,,772124-17820,, "RADIO ASSY",,1,,1,,,,,,,,,,,,,  
1-1,1,,772124-17821,, "RADIO ASSY",,1,,1,,S,,,,,\*1987.02,,,,,,M50038  
2,2,,172124-16540,, "LEAD WIRE",,1,,1,,,,,,,,,,,,,  
3,2,,172119-16570,, "LEAD WIRE",,1,,1,,,,,,,,,,,,,  
4,2,,172119-16590,, "LEAD WIRE",,1,,1,,,,,,,,,,,,,  
5,2,,172122-16590,, "BAND 200F",,5,,5,,,,,,,,,,,,,  
6,2,,172122-16680,, "CONNECTOR",,1,,1,,,,,,,,,,,,,  
7,2,,172122-16690,, "LEAD WIRE",,1,,1,,,,,,,,,,,,,  
8,2,,172119-17150,, "AM-FM RADIO 5PB",,1,,1,,,,,,,,,,,,,  
9,2,,172112-17170,, "SPEAKER (SPA-457)",,1,,1,,,,,,,,,,,,,  
9-1,2,,172112-17171,, "SPEAKER (SPA-413)",,1,,1,,S,,,,,\*1987.02,,,,,,M50038  
10,2,,172112-17190,, "ANTENNA (NCP-314)",,1,,1,,,,,,,,,,,,,  
11,2,,172124-17810,, "STAY, SPEAKER",,2,,2,,,,,,,,,,,,,  
11-1,2,,172124-17811,, "STAY, SPEAKER",,1,,1,,S,,,,,\*1987.02,,,,,,M50038  
11-2,2,,172124-17812,, "STAY, SPEAKER",,1,,1,,S,,,,,\*1987.05,,,,,,\*1987.05  
12,2,,172122-18230,, "PANEL, RADIO",,1,,1,,,,,,,,,,,,,  
13,2,,22857-400120,, "SCREW 4X12",,5,,5,,,,,,,,,,,,,  
14,2,,22857-400120,, "SCREW 4X12",,4,,4,,,,,,,,,,,,,  
14-1,2,,22857-400120,, "SCREW 4X12",,3,,3,,K,,,,,\*1987.02,,,,,,M50038  
15,2,,26013-060162,, "BOLT M 6X 16",,2,,2,,,,,,,,,,,,,  
15-1,2,,26557-040122,, "SCREW M 4X 12,PAN HD",,2,,2,,S,,,,,\*1987.02,,,,,,M50038  
16,2,,933168-56000,, "GROMMET 17X19",,1,,1,,,,,,,,,,,,,  
17,2,,22857-500120,, "SCREW 5X12",,2,,2,,,,,,,,,,,,,  
18,2,,933168-56000,, "GROMMET 17X19",,1,,1,,W,,,,,\*1987.02,,,,,,M50038

Fig. 18 ラジオ (EC)  
RADIO (EC)

SPEC. CODE  
D72124-17820

COUNTRY	J	P	N	S	W	G	F	A	D	M	N	L
Fig. No.	—	18	18	18	18	18	18	18	18	18	18	18

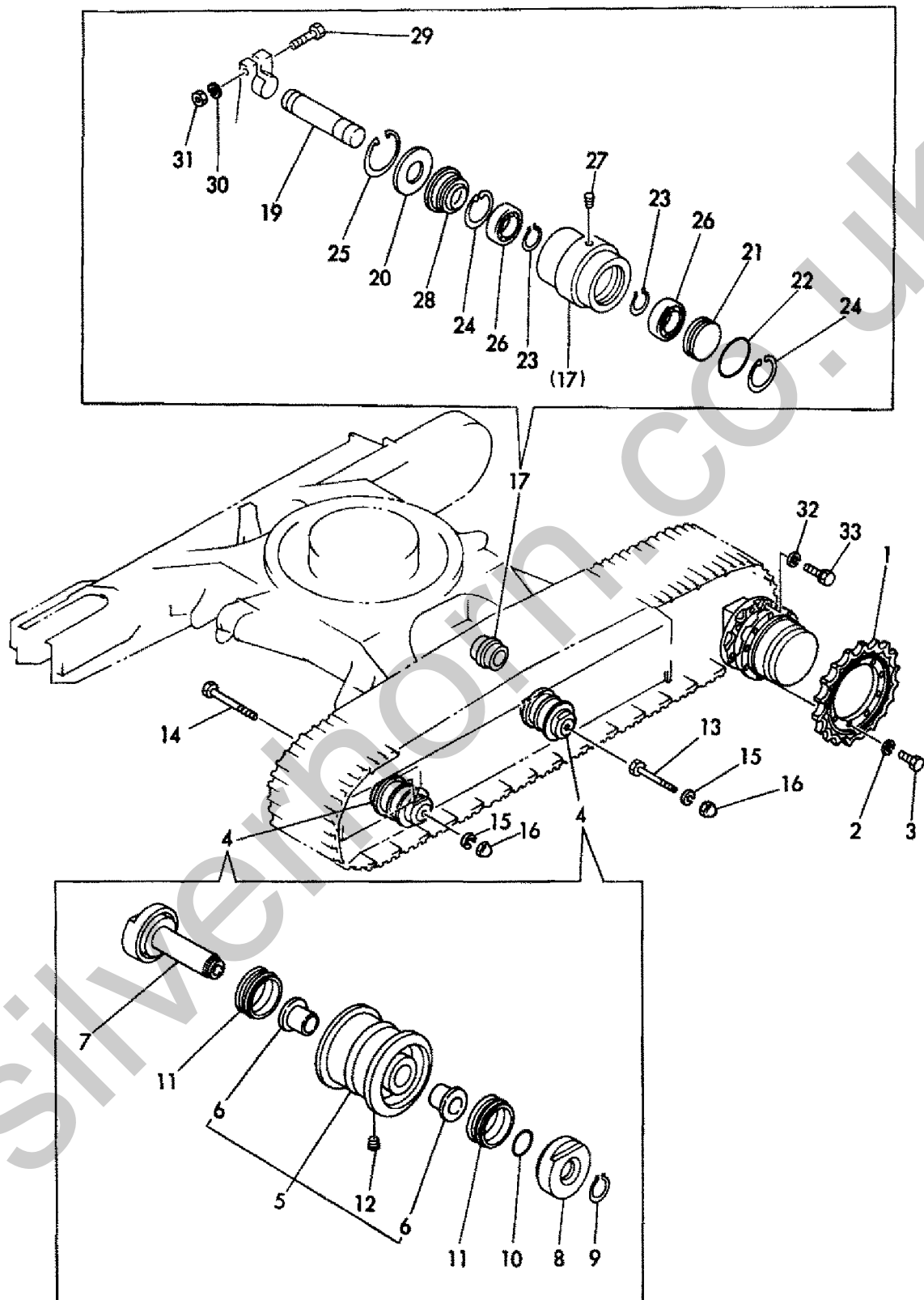


SilverStone.com

1,1,,172119-35010,,SPROCKET,2,2,,2,2,,,,,,,,,,,,,  
2,1,,22217-140000,,,"SPRING WASHER 14",18,18,,18,18,,,,,,,,,,,,,  
3,1,,26116-140352,,,"BOLT M14X 35 PLATED",18,18,,18,18,,,,,,,,,,,,,  
4,1,,772124-37300,,,"ROLLER ASSY, TRUCK",8,8,,8,8,,,,,,,,,,,,,  
5,2,,172124-37300,,,"ROLLER ASSY, TRUCK",8,8,,8,8,,,,,,,,,,,,,  
6,3,,172124-37310,,,"BUSH, ROLLER",16,16,,16,16,,,,,,,,,,,,,  
7,2,,172124-37320,,,"SHAFT, ROLLER",8,8,,8,8,,,,,,,,,,,,,  
8,2,,172124-37350,,,"COVER (B)",8,8,,8,8,,,,,,,,,,,,,  
9,2,,22242-000300,,,"CIRCLIP 30",8,8,,8,8,,,,,,,,,,,,,  
10,2,,24321-000350,,,"O-RING 1A G-35.0",8,8,,8,8,,,,,,,,,,,,,  
11,2,,933112-00400,,,"SEAL 64 78 25",16,16,,16,16,,,,,,,,,,,,,  
12,2,,933171-13691,,,"PLUG PT1/8",8,8,,8,8,,,,,,,,,,,,,  
13,1,,172113-36050,,,"BOLT, ROLLER ADJUST",6,6,,6,6,,,,,,,,,,,,,  
14,1,,172116-37350,,,"BOLT, ROLLER ADJUST",2,2,,2,2,,,,,,,,,,,,,  
15,1,,22217-160000,,,"SPRING WASHER 16",8,8,,8,8,,,,,,,,,,,,,  
16,1,,26658-160002,,,"CAP NUT M16",8,8,,8,8,,,,,,,,,,,,,  
16-1,1,,26657-160002,,,"CAP NUT  
M16",8,8,,8,8,,R,,,\*1986.07,,\*1986.07,,,,,\*1986.07,,\*1986.07  
17,1,,772124-37500,,,"ROLLER ASSY, CARIA",2,2,,2,2,,,,,,,,,,,,,  
19,2,,172124-37510,,,"SHAFT, ROLLER",2,2,,2,2,,,,,,,,,,,,,  
20,2,,172124-37520,,,"COVER, SEAL",2,2,,2,2,,,,,,,,,,,,,  
21,2,,172124-37530,,,"COVER",2,2,,2,2,,,,,,,,,,,,,  
22,2,,172124-37540,,,"O-RING P52",2,2,,2,2,,,,,,,,,,,,,  
23,2,,22242-000300,,,"CIRCLIP 30",4,4,,4,4,,,,,,,,,,,,,  
24,2,,22252-000620,,,"CIRCLIP 62(H)",4,4,,4,4,,,,,,,,,,,,,  
25,2,,22252-000750,,,"CIRCLIP 75",2,2,,2,2,,,,,,,,,,,,,  
26,2,,24101-062064,,,"BALL BEARING",4,4,,4,4,,,,,,,,,,,,,  
27,2,,933171-13691,,,"PLUG PT1/8",2,2,,2,2,,,,,,,,,,,,,  
28,2,,933171-13820,,,"SEAL WSF30X62X20",2,2,,2,2,,,,,,,,,,,,,  
29,1,,26116-120652,,,"BOLT M12X 65 PLATED",2,2,,2,2,,,,,,,,,,,,,  
30,1,,22217-120000,,,"WASHER 12,SPRING",2,2,,2,2,,,,,,,,,,,,,  
31,1,,26716-120002,,,"NUT M12",2,2,,2,2,,,,,,,,,,,,,  
32,1,,22217-140000,,,"SPRING WASHER 14",18,18,,18,18,,,,,,,,,,,,,  
33,1,,26116-140352,,,"BOLT M14X 35 PLATED",18,18,,18,18,,,,,,,,,,,,,



Fig. 19 **トラックローラ&キャリアローラ**  
**TRACK ROLLER & CARRIER ROLLER**



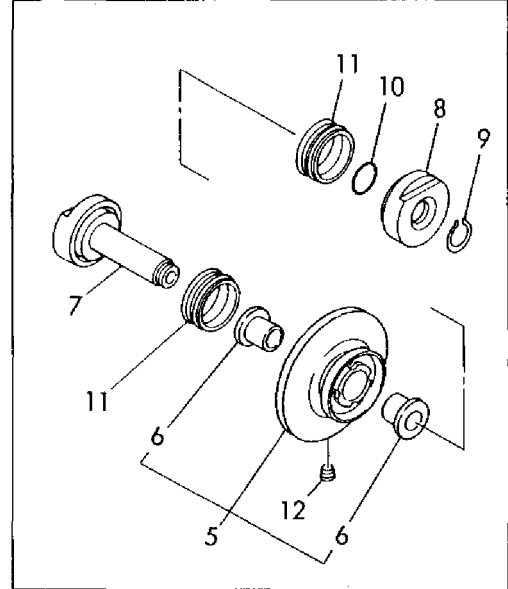
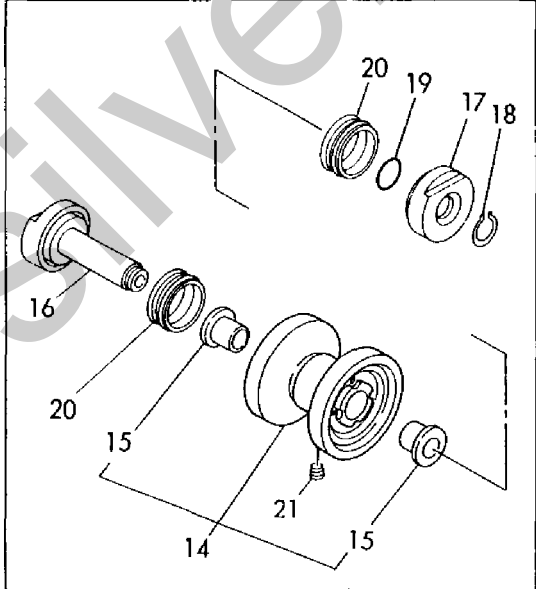
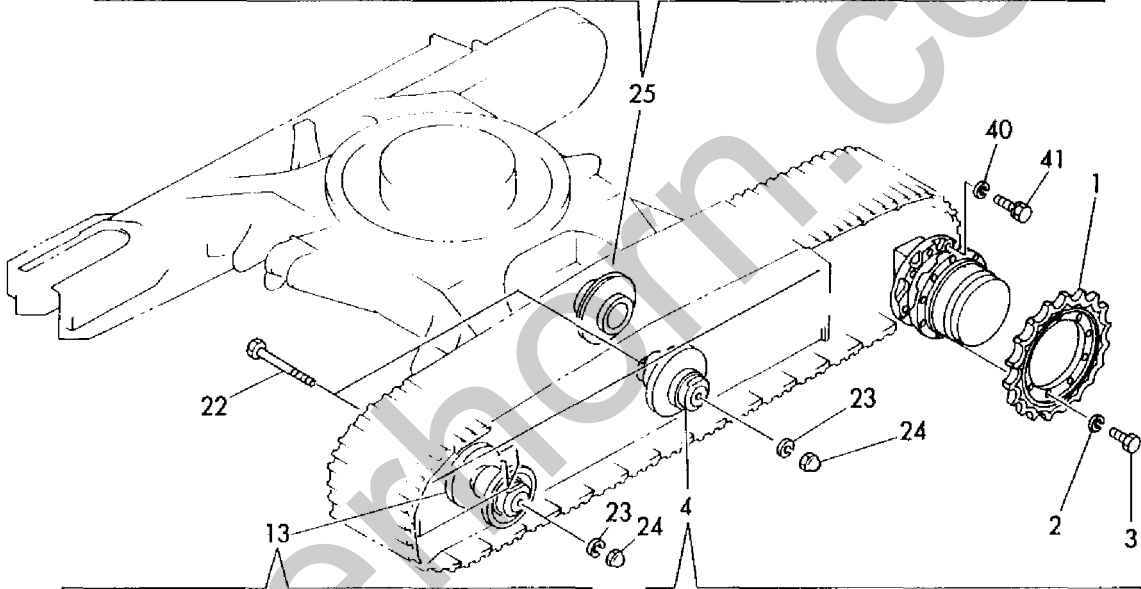
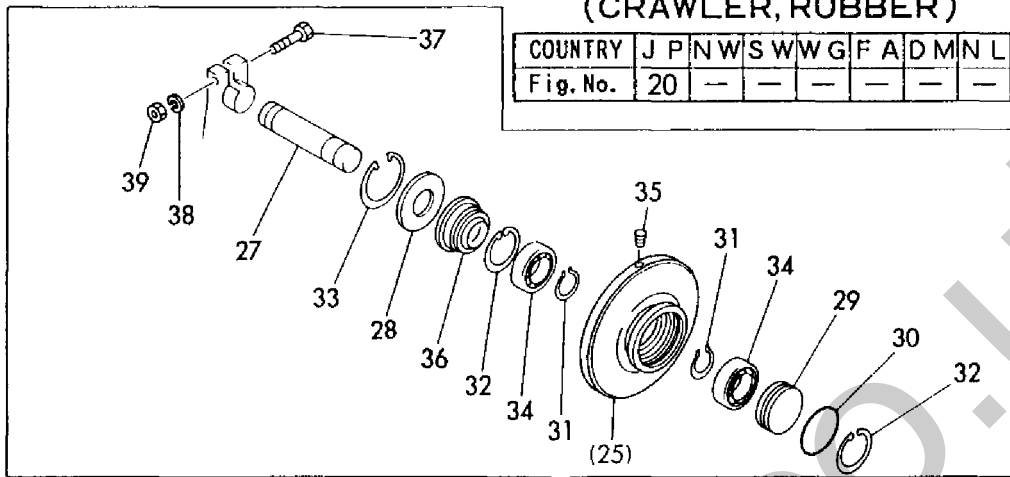


1,1,,172124-29100,,SPROCKET,2,2,,2,2,,,,,,,,,,,,,  
2,1,,22217-140000,,,"SPRING WASHER 14",18,18,,18,18,,,,,,,,,,,,,  
3,1,,26116-140352,,,"BOLT M14X 35 PLATED",18,18,,18,18,,,,,,,,,,,,,  
4,1,,772124-37320,,,"ROLLER ASSY, TRUCK",8,8,,8,8,,,,,,,,,,,,,  
5,2,,172124-37400,,,"ROLLER ASSY, TRUCK",8,8,,8,8,,,,,,,,,,,,,  
6,3,,172124-37310,,,"BUSH, ROLLER",16,16,,16,16,,,,,,,,,,,,,  
7,2,,172124-37320,,,"SHAFT, ROLLER",8,8,,8,8,,,,,,,,,,,,,  
8,2,,172124-37350,,,"COVER (B)",8,8,,8,8,,,,,,,,,,,,,  
9,2,,22242-000300,,,"CIRCLIP 30",8,8,,8,8,,,,,,,,,,,,,  
10,2,,24321-000350,,,"O-RING 1A G-35.0",8,8,,8,8,,,,,,,,,,,,,  
11,2,,933112-00400,,,"SEAL 64 78 25",16,16,,16,16,,,,,,,,,,,,,  
12,2,,933171-13691,,,"PLUG PT1/8",8,8,,8,8,,,,,,,,,,,,,  
13,1,,772124-37330,,,"ROLLER ASSY, TRUCK",2,2,,2,2,,,,,,,,,,,,,  
14,2,,172124-37420,,,"ROLLER ASSY, TRUCK",2,2,,2,2,,,,,,,,,,,,,  
15,3,,172124-37310,,,"BUSH, ROLLER",4,4,,4,4,,,,,,,,,,,,,  
16,2,,172124-37320,,,"SHAFT, ROLLER",2,2,,2,2,,,,,,,,,,,,,  
17,2,,172124-37350,,,"COVER (B)",2,2,,2,2,,,,,,,,,,,,,  
18,2,,22242-000300,,,"CIRCLIP 30",2,2,,2,2,,,,,,,,,,,,,  
19,2,,24321-000350,,,"O-RING 1A G-35.0",2,2,,2,2,,,,,,,,,,,,,  
20,2,,933112-00400,,,"SEAL 64 78 25",4,4,,4,4,,,,,,,,,,,,,  
21,2,,933171-13691,,,"PLUG PT1/8",2,2,,2,2,,,,,,,,,,,,,  
22,1,,172113-36050,,,"BOLT, ROLLER ADJUST",10,10,,10,10,,,,,,,,,,,,,  
23,1,,22217-160000,,,"SPRING WASHER 16",10,10,,10,10,,,,,,,,,,,,,  
24,1,,26658-160002,,,"CAP NUT M16",10,10,,10,10,,,,,,,,,,,,,  
24-1,1,,26657-160002,,,"CAP NUT  
M16",10,10,,10,10,,R,,,\*1986.07,,,\*1986.07,,,\*1986.07  
25,1,,772124-37510,,,"ROLLER ASSY, CARIA",2,2,,2,2,,,,,,,,,,,,,  
27,2,,172124-37510,,,"SHAFT, ROLLER",2,2,,2,2,,,,,,,,,,,,,  
28,2,,172124-37520,,,"COVER, SEAL",2,2,,2,2,,,,,,,,,,,,,  
29,2,,172124-37530,,,"COVER",2,2,,2,2,,,,,,,,,,,,,  
30,2,,172124-37540,,,"O-RING P52",2,2,,2,2,,,,,,,,,,,,,  
31,2,,22242-000300,,,"CIRCLIP 30",4,4,,4,4,,,,,,,,,,,,,  
32,2,,22252-000620,,,"CIRCLIP 62(H)",4,4,,4,4,,,,,,,,,,,,,  
33,2,,22252-000750,,,"CIRCLIP 75",2,2,,2,2,,,,,,,,,,,,,  
34,2,,24101-062064,,,"BALL BEARING",4,4,,4,4,,,,,,,,,,,,,  
35,2,,933171-13691,,,"PLUG PT1/8",2,2,,2,2,,,,,,,,,,,,,  
36,2,,933171-13820,,,"SEAL WSF30X62X20",2,2,,2,2,,,,,,,,,,,,,  
37,1,,26116-120652,,,"BOLT M12X 65 PLATED",2,2,,2,2,,,,,,,,,,,,,  
38,1,,22217-120000,,,"WASHER 12, SPRING",2,2,,2,2,,,,,,,,,,,,,  
39,1,,26716-120002,,,"NUT M12",2,2,,2,2,,,,,,,,,,,,,  
40,1,,22217-140000,,,"SPRING WASHER 14",18,18,,18,18,,,,,,,,,,,,,  
41,1,,26116-140352,,,"BOLT M14X 35 PLATED",18,18,,18,18,,,,,,,,,,,,,

SPEC. CODE  
 D72124-29110  
 D72124-37320  
 D72124-37330  
 D72124-37510

Fig. **20** **トラックローラ&キャリアローラ**  
**TRACK ROLLER & CARRIER ROLLER**  
**(ゴムローラ)**  
**(CRAWLER, RUBBER)**

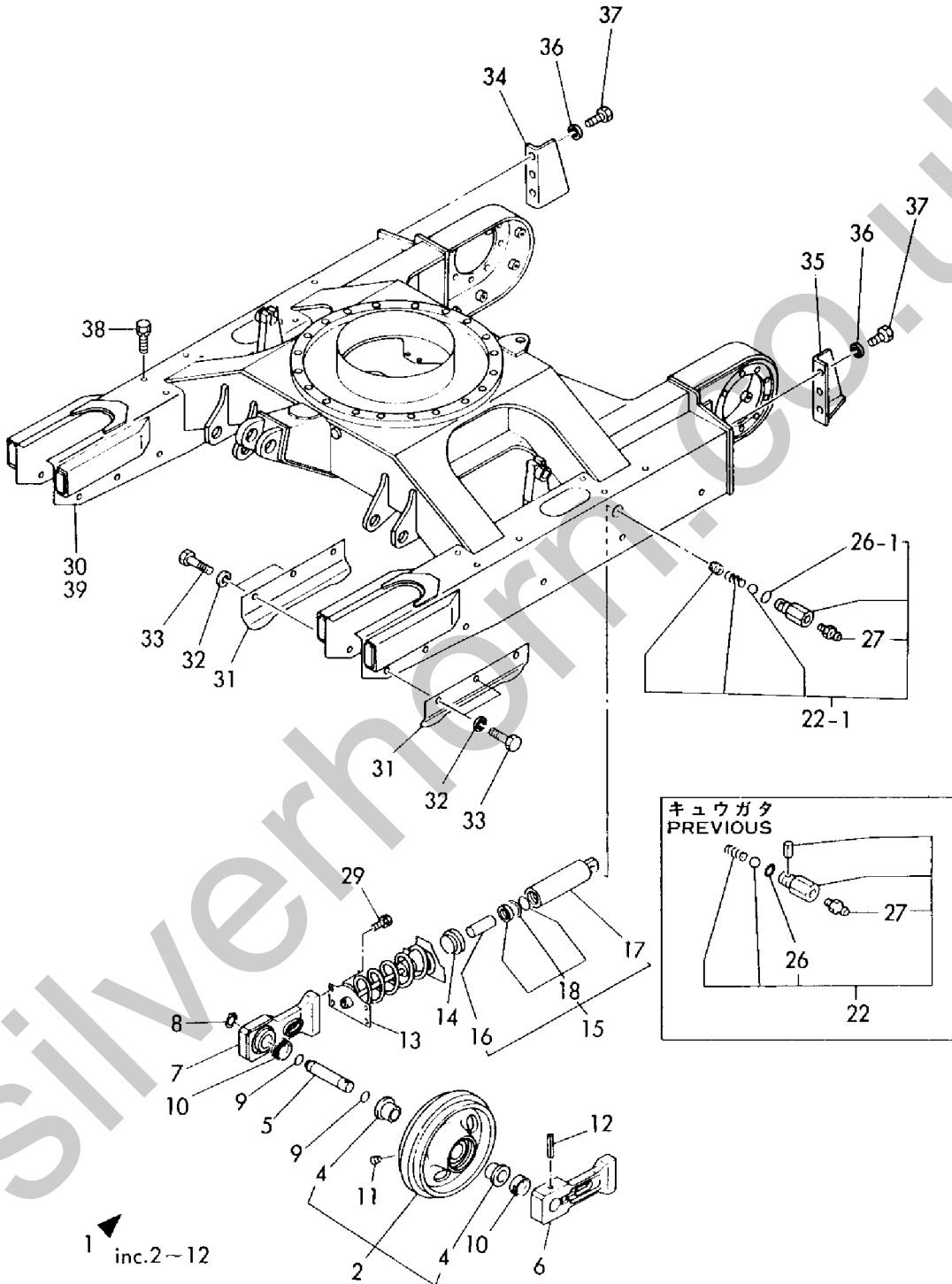
COUNTRY	J	P	N	S	W	G	F	A	D	M	N	L
Fig. No.	20	-	-	-	-	-	-	-	-	-	-	-



1,1,,772124-37100,, "IDLER ASSY",2,2,,2,2,,,,,,,,,,,,,  
2,2,,172124-37100,, "IDLER ASSY",2,2,,2,2,,,,,,,,,,,,,  
4,3,,172124-37120,, "BUSH 40",4,4,,4,4,,,,,,,,,,,,,  
5,2,,172124-37130,, "SHAFT, IDLER",2,2,,2,2,,,,,,,,,,,,,  
6,2,,172124-37140,, "COVER(A), IDLER SEAL",2,2,,2,2,,,,,,,,,,,,,  
7,2,,172124-37150,, "COVER(B), IDLER SEAL",2,2,,2,2,,,,,,,,,,,,,  
8,2,,22242-000350,, "CIRCLIP 35",2,2,,2,2,,,,,,,,,,,,,  
9,2,,24321-000350,, "O-RING 1A G-35.0",4,4,,4,4,,,,,,,,,,,,,  
10,2,,933112-00500,, "SEAL 66 86 28",4,4,,4,4,,,,,,,,,,,,,  
11,2,,933171-13691,, "PLUG PT1/8",2,2,,2,2,,,,,,,,,,,,,  
12,2,,172124-37160,, "PIN,4,4,,4,4,,,,,,,,,,,,,  
12-1,2,,172124-37160,, "PIN,2,2,,2,2,K,,, \*1988.08,,, \*1988.08,,,,, \*1988.08,,, \*1988.08  
13,1,,172124-37700,, "SPRING, ADJUSTING",2,2,,2,2,,,,,,,,,,,,,  
14,1,,172122-37710,, "HOLDER, ADJUSTER",2,2,,2,2,,,,,,,,,,,,,  
15,1,,172122-37750,, "CYLINDER, ADJUSTER",2,2,,2,2,,,,,,,,,,,,,  
15-1,1,,172122-37751,, "ADJUST  
CYLINDER",2,2,,2,2,S,,, M00501,, M00501,,,,, M00501,, M00501  
16,2,,172122-37810,, "PISTON,2,2,,2,2,,,,,,,,,,,,,  
17,2,,172122-37780,, "ADJUST TUBE",2,2,,2,2,,,,,,,,,,,,,  
17-1,2,,172122-37781,, "ADJUST  
TUBE",2,2,,2,2,S,,, M00501,, M00501,,,,, M00501,, M00501  
18,2,,172122-37820,, "ADJUST SEAL SET",2,2,,2,2,,,,,,,,,,,,,  
22,1,,172122-37840,, "VALVE ASSY, NIPPLE",2,2,,2,2,,,,,,,,,,,,,  
22-1,1,,172122-37841,, "VALVE ASSY,  
NIPPLE",2,2,,2,2,S,,, M00501,, M00501,,,,, M00501,, M00501  
22-2,1,,172122-37842,, "VALVE ASSY,  
NIPPLE",2,2,,2,2,N,,, M00672,, M00672,,,,, M00618,, M00618  
26,2,,24311-000180,, "O-RING 1A P-18.0",2,2,,2,2,,,,,,,,,,,,,  
26-1,2,,24315-000140,, "O-RING 1B P-  
14.0",2,2,,2,2,S,,, M00501,, M00501,,,,, M00501,, M00501  
26-2,2,,24315-000120,, "O-RING 1B P-  
12.0",2,2,,2,2,N,,, \*1989.08,,, \*1989.08,,,,, \*1989.08,,, \*1989.08  
27,2,,24761-020000,, "NIPPLE PT1/8,GREASE",2,2,,2,2,,,,,,,,,,,,,  
29,1,,26013-120402,, "BOLT M12X 40",8,8,,8,8,,,,,,,,,,,,,  
30,1,,172124-50100,, "FRAME ASSY, CRAWLER",1,1,,1,1,,,,,,,,,,,,,  
31,1,,172124-50800,, "GUARD, CRAWLER",4,4,,4,4,,,,,,,,,,,,,  
32,1,,22217-160000,, "SPRING WASHER 16",8,8,,8,8,,,,,,,,,,,,,  
33,1,,26116-160452,, "BOLT M16X 45 PLATED",8,8,,8,8,,,,,,,,,,,,,  
34,1,,172124-50810,, "GUARD (R), STONE",1,1,,1,1,,,,,,,,,,,,,  
35,1,,172124-50820,, "GUARD (L), STONE",1,1,,1,1,,,,,,,,,,,,,  
36,1,,22217-140000,, "SPRING WASHER 14",6,6,,6,6,,,,,,,,,,,,,  
37,1,,26116-140302,, "BOLT M14X 30 PLATED",6,6,,6,6,,,,,,,,,,,,,  
38,1,,26013-100202,, "BOLT W/WASHER M10X20",16,16,,16,16,,,,,,,,,,,,,  
39,1,,172124-50950,, "FRAME ASSY, TRACK",1,,,,,1,,,,,,,,,,,,,

Fig. **21** トラックフレーム&アイドラ  
TRACK FRAME & IDLER

SPEC. CODE  
 D72124-37100  
 D72124-37700  
 D72124-50100  
 D72124-50120  
 D72124-50800  
 D72124-50810



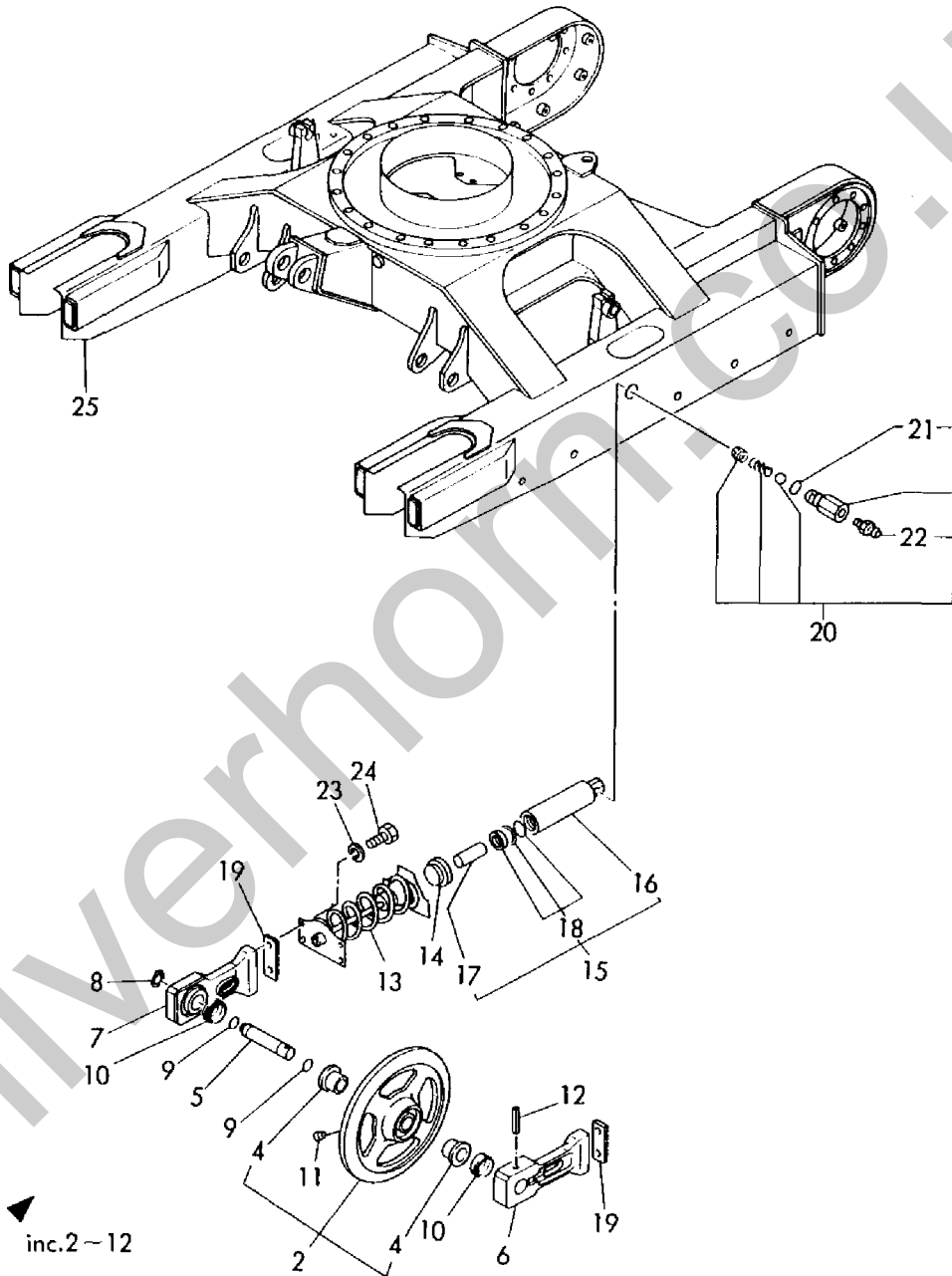
1,1,,772124-37110,, "IDLER ASSY",2,2,,2,2,,,,,,,,,,,,,  
2,2,,172124-37200,, "IDLER ASSY",2,2,,2,2,,,,,,,,,,,,,  
4,3,,172124-37120,, "BUSH 40",4,4,,4,4,,,,,,,,,,,,,  
5,2,,172124-37130,, "SHAFT, IDLER",2,2,,2,2,,,,,,,,,,,,,  
6,2,,172124-37140,, "COVER(A), IDLER SEAL",2,2,,2,2,,,,,,,,,,,,,  
7,2,,172124-37150,, "COVER(B), IDLER SEAL",2,2,,2,2,,,,,,,,,,,,,  
8,2,,22242-000350,, "CIRCLIP 35",2,2,,2,2,,,,,,,,,,,,,  
9,2,,24321-000350,, "O-RING 1A G-35.0",4,4,,4,4,,,,,,,,,,,,,  
10,2,,933112-00500,, "SEAL 66 86 28",4,4,,4,4,,,,,,,,,,,,,  
11,2,,933171-13691,, "PLUG PT1/8",2,2,,2,2,,,,,,,,,,,,,  
12,2,,172124-37160,, "PIN,4,4,,4,4,,,,,,,,,,,,,  
13,1,,172124-37700,, "SPRING, ADJUSTING",2,2,,2,2,,,,,,,,,,,,,  
14,1,,172122-37710,, "HOLDER, ADJUSTER",2,2,,2,2,,,,,,,,,,,,,  
15,1,,172122-37751,, "ADJUST CYLINDER",2,2,,2,2,,,,,,,,,,,,,  
16,2,,172122-37781,, "ADJUST TUBE",2,2,,2,2,,,,,,,,,,,,,  
17,2,,172122-37810,, "PISTON,2,2,,2,2,,,,,,,,,,,,,  
18,2,,172122-37820,, "ADJUST SEAL SET",2,2,,2,2,,,,,,,,,,,,,  
19,1,,172124-37780,, "PLATE,4,4,,4,4,,,,,,,,,,,,,  
20,1,,172122-37842,, "VALVE ASSY, NIPPLE",2,2,,2,2,,,,,,,,,,,,,  
21,2,,24315-000140,, "O-RING 1B P-14.0",2,2,,2,2,,,,,,,,,,,,,  
21-1,2,,24315-000120,, "O-RING 1B P-  
12.0",1,1,,1,1,,N,,,\*1989.08,,\*1989.08,,,,\*1989.08,,\*1989.08  
22,2,,24761-020000,, "NIPPLE PT1/8,GREASE",2,2,,2,2,,,,,,,,,,,,,  
23,1,,22217-120000,, "WASHER 12,SPRING",8,8,,8,8,,,,,,,,,,,,,  
24,1,,26116-120602,, "BOLT M12X 60 PLATED",8,8,,8,8,,,,,,,,,,,,,  
25,1,,172124-50010,, "FRAME ASSY, TRACK",1,1,,1,1,,,,,,,,,,,,,



Fig. **22** トラックフレーム&アイドラ  
 TRACK FRAME & IDLER  
 (ゴムクローラ)  
 (CRAWLER, RUBBER)

SPEC. CODE  
 D72124-37110  
 D72124-37710  
 D72124-50110

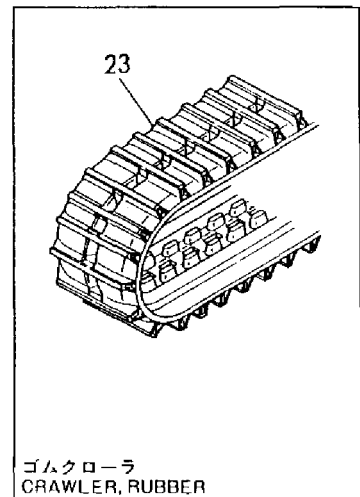
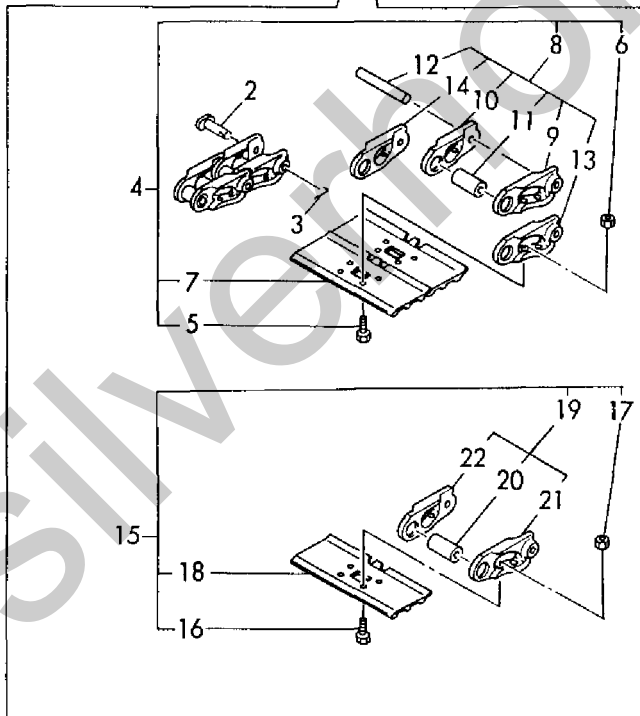
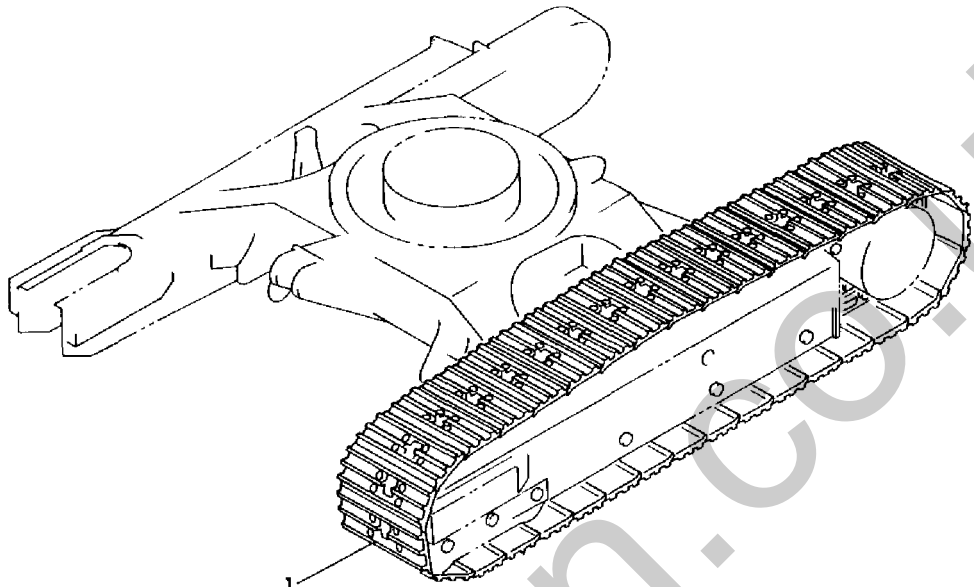
COUNTRY	J	P	N	W	S	W	G	F	A	D	M	N	L
Fig. No.	22	—	—	—	—	—	—	—	—	—	—	—	—



1,1,,772124-38100,, "CRAWLER ASSY, 380",2,2,,2,2,,,,,,,,,,,,,  
1-1,1,,772124-38101,, "CRAWLER ASSY,  
380",2,2,,2,2,,N,,, \*1985.09,, \*1985.09,,,, \*1985.09,, \*1985.09  
2,2,,172112-38103,, "PIN, MASTER",2,2,,2,2,,,,,,,,,,,,,  
2-1,2,,172124-38250,, "PIN,  
MASTER",2,2,,2,2,,S,,, \*1985.09,, \*1985.09,,,, \*1985.09,, \*1985.09  
3,2,,172112-38111,, "PIN, COTTER",2,2,,2,2,,,,,,,,,,,,,  
4,2,,172124-38100,, "CRAWLER ASSY, 380",2,2,,2,2,,,,,,,,,,,,,  
4-1,2,,172124-38101,, "CRAWLER ASSY,  
380",2,2,,2,2,,S,,, \*1985.09,, \*1985.09,,,, \*1985.09,, \*1985.09  
5,3,,172112-38130,, "BOLT, SHOE",296,296,,296,296,,,,,,,,,,,,,  
6,3,,172112-38140,, "NUT, SHOE",296,296,,296,296,,,,,,,,,,,,,  
7,3,,172112-38152,, "SHOW PLATE",74,74,,74,74,,,,,,,,,,,,,  
8,3,,172124-38010,, "LINK ASSY, TRACK",2,2,,2,2,,M,,,,,,,,,,,,,  
8-1,3,,172124-38110,, "LINK ASSY",2,2,,2,2,,,,,,,,,,,,,  
8-2,3,,172124-38111,, "LINK ASSY,  
TRUCK",2,2,,2,2,,S,,, \*1985.09,, \*1985.09,,,, \*1985.09,, \*1985.09  
9,4,,172112-38041,, "LINK (L), TRACK",72,72,,72,72,,,,,,,,,,,,,  
10,4,,172112-38051,, "LINK (R), TRACK",72,72,,72,72,,,,,,,,,,,,,  
11,4,,172112-38081,, "BUSH",74,74,,74,74,,,,,,,,,,,,,  
12,4,,172112-38091,, "PIN, TRACK",72,72,,72,72,,,,,,,,,,,,,  
13,4,,172124-38260,, "LINK (L), MASTER",2,2,,2,2,,,,,,,,,,,,,  
14,4,,172124-38270,, "LINK (R), MASTER",2,2,,2,2,,,,,,,,,,,,,  
15,1,,172112-38011,, "TRUCK, MASTER",2,2,,2,2,,,,,,,,,,,,,  
15-1,1,,172124-38140,, "MASTER  
TRUCK",2,2,,2,2,,S,,, \*1985.09,, \*1985.09,,,, \*1985.09,, \*1985.09  
16,2,,172112-38130,, "BOLT, SHOE",8,8,,8,8,,,,,,,,,,,,,  
17,2,,172112-38140,, "NUT, SHOE",8,8,,8,8,,,,,,,,,,,,,  
18,2,,172112-38152,, "SHOW PLATE",2,2,,2,2,,,,,,,,,,,,,  
19,2,,172112-38122,, "LINK, MASTER",2,2,,2,2,,,,,,,,,,,,,  
19-1,2,,172124-38300,, "LINK,  
MASTER",2,2,,2,2,,S,,, \*1985.09,, \*1985.09,,,, \*1985.09,, \*1985.09  
20,3,,172112-38081,, "BUSH",2,2,,2,2,,,,,,,,,,,,,  
21,3,,172124-38260,, "LINK (L), MASTER",2,2,,2,2,,,,,,,,,,,,,  
22,3,,172124-38270,, "LINK (R), MASTER",2,2,,2,2,,,,,,,,,,,,,  
23,1,,172124-38600,, "CRAWLER ASSY, RUBBER",2,2,,2,2,,,,,,,,,,,,,

Fig. **23** クローラ  
CRAWLER

SPEC. CODE  
D72124-38101  
D72124-38600





1,1,,172122-45101,,LEVER,2,2,,2,2,,,,,,,,,,,,,  
2,1,,172122-45170,,,"LEVER ASSY, BLADE",1,1,,1,1,,,,,,,,,,,,,  
3,2,,933171-23680,,,"BUSH 14X15",2,2,,2,2,,,,,,,,,,,,,  
4,1,,172122-45200,,,"RUBBER BOOT, LEVER",2,2,,2,2,,,,,,,,,,,,,  
4-1,1,,172122-45201,,,"RUBBER BOOT,  
LEVER",2,2,,2,2,,N,,,M00573,,M00573,,,,M00563,,M00563  
5,1,,172122-45210,,,"BAND, BOOT",2,2,,2,2,,,,,,,,,,,,,  
6,1,,172116-45901,,,"KNOB (A), CONTROL",1,1,,1,1,,,,,,,,,,,,,  
6-1,1,,172122-45850,,,"GRIP (A),  
LEVER",1,1,,1,1,,N,,,\*1985.03,,\*1985.03,,,,\*1985.03,,\*1985.03  
6-2,1,,172122-45851,,,"KNOB (A),  
CONTROL",1,1,,1,1,,N,,,\*1985.12,,\*1985.12,,,,\*1985.12,,\*1985.12  
7,1,,172116-45911,,,"KNOB (B), CONTROL",1,1,,1,1,,,,,,,,,,,,,  
7-1,1,,172116-45912,,,"KNOB (B),  
CONTROL",1,1,,1,1,,N,,,\*1985.12,,\*1985.12,,,,\*1985.12,,\*1985.12  
8,1,,172116-45920,,,"KNOB (L), LEVER",1,1,,1,1,,,,,,,,,,,,,  
9,1,,172116-45930,,,"KNOB (R), LEVER",1,1,,1,1,,,,,,,,,,,,,  
10,1,,172116-45940,,,"KNOB (C), LEVER",1,1,,1,1,,,,,,,,,,,,,  
11,1,,172122-46600,,,"LEVER(R), DRIVING",1,1,,1,1,,,,,,,,,,,,,  
12,1,,172122-46880,,,"LEVER(L), DRIVING",1,1,,1,1,,,,,,,,,,,,,  
13,1,,22217-160000,,,"SPRING WASHER 16",2,2,,2,2,,,,,,,,,,,,,  
14,1,,26557-050122,,,"SCREW M 5X 12",2,2,,2,2,,,,,,,,,,,,,  
15,1,,26736-160002,,,"NUT M16",2,2,,2,2,,,,,,,,,,,,,  
15-1,1,,26777-160002,,,"LOCK NUT  
M16",2,2,,2,2,,N,,,M00573,,M00573,,,,M00563,,M00563  
16,1,,26756-050002,,,"LOCK NUT M 5 PLATED",2,2,,2,2,,,,,,,,,,,,,  
17,1,,26756-100002,,,"LOCK NUT M10 PLATED",2,2,,2,2,,,,,,,,,,,,,  
18,1,,26756-100002,,,"LOCK NUT M10 PLATED",2,2,,2,2,,,,,,,,,,,,,  
19,1,,172112-41380,,,"SHAFT, BLADE LEVER",1,1,,1,1,,,,,,,,,,,,,  
20,1,,172124-45500,,,"PEDAL, SWING",1,1,,1,1,,,,,,,,,,,,,  
20-1,1,,172124-45501,,,"PEDAL,  
SWING",1,1,,1,1,,S,1,,M10501,,M10501,,,,M10501,,M10501  
21,2,,933171-23680,,,"BUSH 14X15",2,2,,2,2,,,,,,,,,,,,,  
22,1,,172122-45680,,,"FULCRUM, PEDAL",1,1,,1,1,,,,,,,,,,,,,  
23,1,,22217-100000,,,"SPRING WASHER 10",2,2,,2,2,,,,,,,,,,,,,  
24,1,,22417-400320,,,"COTTER PIN 4.0X32",1,1,,1,1,,,,,,,,,,,,,  
25,1,,26116-100402,,,"BOLT M10X 40 PLATED",1,1,,1,1,,,,,,,,,,,,,  
26,1,,26716-100002,,,"NUT M10",2,2,,2,2,,,,,,,,,,,,,  
27,1,,172614-45170,,,"SPRING 12",2,2,,2,2,,,,,,,,,,,,,  
28,1,,172122-46180,,,"LEVER, LOCK",2,2,,2,2,,,,,,,,,,,,,  
29,1,,172122-46210,,,"ARM, LOCK",2,2,,2,2,,,,,,,,,,,,,  
30,1,,172116-46630,,,"KNOB, LOCK LEVER",2,2,,2,2,,,,,,,,,,,,,  
31,1,,194264-24190,,,"PLUG, SCREW",2,2,,2,2,,Z,,,M00501,,M00501,,,,M00501,,M00501  
32,1,,172124-45600,,,"STAND, LEVER (L)",1,1,,1,1,,,,,,,,,,,,,  
33,2,,933171-23680,,,"BUSH 14X15",2,2,,2,2,,,,,,,,,,,,,  
34,1,,172124-45620,,,"STAND, LEVER (R)",1,1,,1,1,,,,,,,,,,,,,  
35,2,,933171-23680,,,"BUSH 14X15",2,2,,2,2,,,,,,,,,,,,,  
36,1,,172124-45630,,,"STAY, STAND",1,1,,1,1,,,,,,,,,,,,,  
37,1,,172124-45660,,,"STAY, LINK",1,1,,1,1,,,,,,,,,,,,,  
38,1,,172122-45980,,,"STAY, STOPPER",2,2,,2,2,,,,,,,,,,,,,  
39,1,,172112-69790,,,"PLUG 32X2",1,1,,1,1,,,,,,,,,,,,,  
40,1,,26013-100162,,,"BOLT M10X 16",3,3,,3,3,,,,,,,,,,,,,  
41,1,,26013-100202,,,"BOLT W/WASHER M10X20",4,4,,4,4,,,,,,,,,,,,,  
42,1,,26013-100202,,,"BOLT W/WASHER M10X20",4,4,,4,4,,,,,,,,,,,,,  
42-1,1,,26013-100302,,,"BOLT M10X  
30",4,4,,4,4,,S,,,M00501,,M00501,,,,M00501,,M00501  
43,1,,26013-100202,,,"BOLT W/WASHER M10X20",2,2,,2,2,,,,,,,,,,,,,  
44,1,,26756-050002,,,"LOCK NUT M 5 PLATED",4,4,,4,4,,,,,,,,,,,,,  
45,1,,26756-050002,,,"LOCK NUT M 5 PLATED",4,4,,4,4,,,,,,,,,,,,,  
46,1,,26979-050202,,,"SCREW M 5X 20",4,4,,4,4,,,,,,,,,,,,,  
46-1,1,,172122-47500,,,"SCREW M 5X  
20",4,4,,4,4,,R,1,,M10501,,M10501,,,,M10501,,M10501  
47,1,,26979-050202,,,"SCREW M 5X 20",4,4,,4,4,,,,,,,,,,,,,

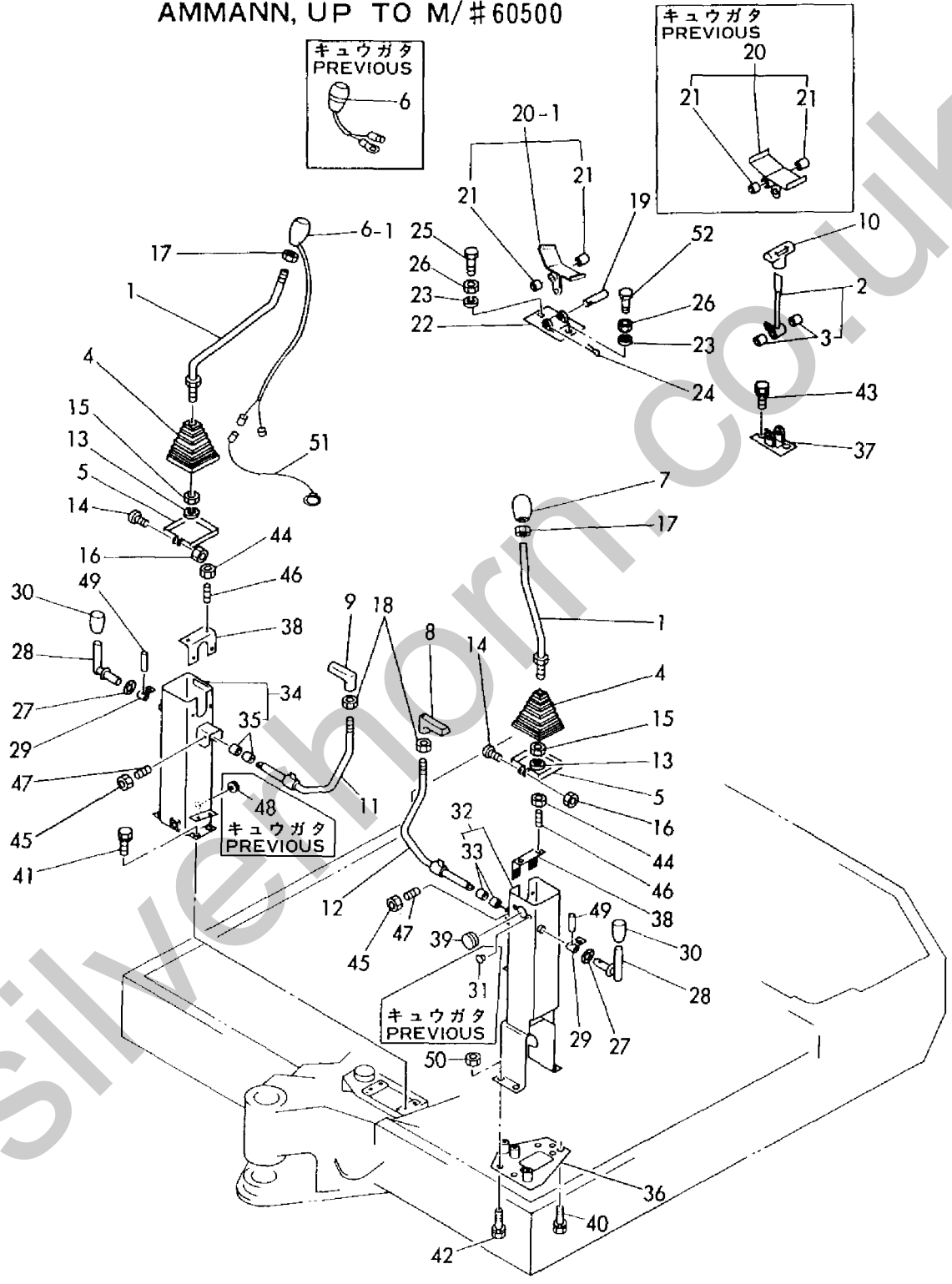
47-1,1,,172122-47500,, "SCREW M 5X  
20",4,4,,4,4,,R,1,,M10501,,M10501,,,,M10501,,M10501  
48,1,,933168-56000,, "GROMMET  
17X19",1,1,,1,1,,Z,,,M00501,,M00501,,,,M00501,,M00501  
49,1,,22351-040036,, "SPRING PIN 4X36",2,2,,2,2,,,,,,,,,,,,,  
50,1,,26716-100002,, "NUT M10",4,4,,4,4,,W,,,M00501,,M00501,,,,M00501,,M00501  
51,1,,172122-45860,, "LEAD  
WIRE(B),HORN",1,1,,1,1,,W,,,\*1985.03,,\*1985.03,,,,\*1985.03,,\*1985.03  
52,1,,26116-100252,, "BOLT M10X 25 PLATED",1,1,,1,1,,,,,,,,,,,,,

Silverhorn.CO.UK

SPEC. CODE  
 D72122-45100  
 D72124-45301  
 D72124-45400  
 D72122-45500  
 D72122-45520

Fig. **24** ソウジュウソウチ(レバー)  
**CONTROL EQUIPMENT (LEVER)**  
 (キユウガタ)  
 (PREVIOUS)

JAPAN, UP TO M/# 20500  
 AMMANN, UP TO M/# 60500

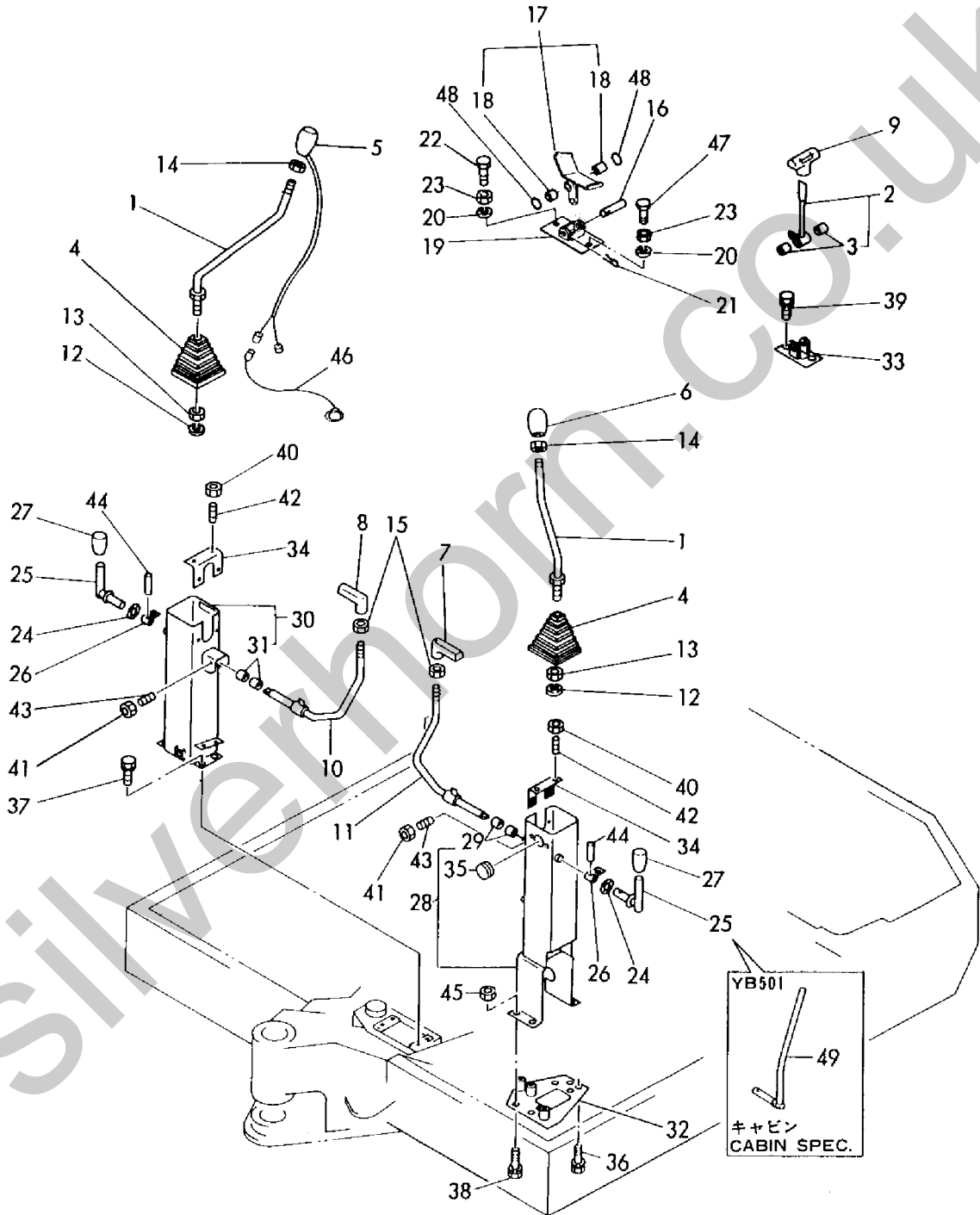


1,1,,172122-45101,,LEVER,2,2,,2,2,,,,,,,,,,,,,  
2,1,,172122-45170,, "LEVER ASSY, BLADE",1,1,,1,1,,,,,,,,,,,,,  
3,2,,933171-23680,, "BUSH 14X15",2,2,,2,2,,,,,,,,,,,,,  
4,1,,172122-45202,, "BOOT, LEVER",2,2,,2,2,,,,,,,,,,,,,  
5,1,,172312-46301,,KNOB(A),1,1,,1,1,,,,,,,,,,,,,  
6,1,,172312-46321,,KNOB(B),1,1,,1,1,,,,,,,,,,,,,  
7,1,,172122-45050,, "KNOB (L)",1,1,,1,1,,,,,,,,,,,,,  
8,1,,172122-45060,, "KNOB (R)",1,1,,1,1,,,,,,,,,,,,,  
9,1,,172116-45940,, "KNOB (C), LEVER",1,1,,1,1,,,,,,,,,,,,,  
10,1,,172122-46600,, "LEVER(R), DRIVING",1,1,,1,1,,,,,,,,,,,,,  
11,1,,172122-46880,, "LEVER(L), DRIVING",1,1,,1,1,,,,,,,,,,,,,  
12,1,,22217-160000,, "SPRING WASHER 16",2,2,,2,2,,,,,,,,,,,,,  
13,1,,26777-160002,, "LOCK NUT M16",2,2,,2,2,,,,,,,,,,,,,  
14,1,,26757-100002,, "LOCK NUT M10 PLATED",2,2,,2,2,,,,,,,,,,,,,  
15,1,,26757-100002,, "LOCK NUT M10 PLATED",2,2,,2,2,,,,,,,,,,,,,  
16,1,,172112-41380,, "SHAFT, BLADE LEVER",1,1,,1,1,,,,,,,,,,,,,  
17,1,,172124-45502,, "PEDAL, SWING",1,1,,1,1,,,,,,,,,,,,,  
18,2,,933171-23680,, "BUSH 14X15",2,2,,2,2,,,,,,,,,,,,,  
19,1,,172122-45681,, "FULCRUM, PEDAL",1,1,,1,1,,,,,,,,,,,,,  
20,1,,22217-100000,, "SPRING WASHER 10",2,2,,2,2,,,,,,,,,,,,,  
21,1,,22417-400400,, "COTTER PIN 4.0X40",1,1,,1,1,,,,,,,,,,,,,  
22,1,,26116-100604,, "BOLT M10X 60 PLATED",1,1,,1,1,,,,,,,,,,,,,  
23,1,,26716-100002,, "NUT M10",2,2,,2,2,,,,,,,,,,,,,  
24,1,,172614-45170,, "SPRING 12",2,2,,2,2,,,,,,,,,,,,,  
25,1,,172122-46180,, "LEVER, LOCK",2,2,,2,2,,,,,,,,,,,,,  
26,1,,172122-46210,, "ARM, LOCK",2,2,,2,2,,,,,,,,,,,,,  
27,1,,172116-46630,, "KNOB, LOCK LEVER",2,2,,2,2,,,,,,,,,,,,,  
28,1,,172124-45600,, "STAND, LEVER (L)",1,1,,1,1,,,,,,,,,,,,,  
29,2,,933171-23680,, "BUSH 14X15",2,2,,2,2,,,,,,,,,,,,,  
30,1,,172124-45620,, "STAND, LEVER (R)",1,1,,1,1,,,,,,,,,,,,,  
31,2,,933171-23680,, "BUSH 14X15",2,2,,2,2,,,,,,,,,,,,,  
32,1,,172124-45630,, "STAY, STAND",1,1,,1,1,,,,,,,,,,,,,  
33,1,,172124-45660,, "STAY, LINK",1,1,,1,1,,,,,,,,,,,,,  
34,1,,172122-45980,, "STAY, STOPPER",2,2,,2,2,,,,,,,,,,,,,  
35,1,,172112-69790,, "PLUG 32X2",1,1,,1,1,,,,,,,,,,,,,  
36,1,,26013-100162,, "BOLT M10X 16",3,3,,3,3,,,,,,,,,,,,,  
37,1,,26013-100202,, "BOLT W/WASHER M10X20",4,4,,4,4,,,,,,,,,,,,,  
38,1,,26013-100302,, "BOLT M10X 30",4,4,,4,4,,,,,,,,,,,,,  
39,1,,26013-100202,, "BOLT W/WASHER M10X20",2,2,,2,2,,,,,,,,,,,,,  
40,1,,194990-22120,, "NUT W/WASHER 5",4,4,,4,4,,,,,,,,,,,,,  
41,1,,194990-22120,, "NUT W/WASHER 5",4,4,,4,4,,,,,,,,,,,,,  
42,1,,26979-050202,, "SCREW M 5X 20",4,4,,4,4,,,,,,,,,,,,,  
43,1,,26979-050202,, "SCREW M 5X 20",4,4,,4,4,,,,,,,,,,,,,  
44,1,,22351-040036,, "SPRING PIN 4X36",2,2,,2,2,,,,,,,,,,,,,  
45,1,,26716-100002,, "NUT M10",4,4,,4,4,,,,,,,,,,,,,  
46,1,,172122-45860,, "LEAD WIRE(B),HORN",1,1,,1,1,,,,,,,,,,,,,  
47,1,,26116-100354,, "BOLT M10X 35 PLATED",1,1,,1,1,,,,,,,,,,,,,  
48,1,,24311-000210,, "O-RING 1A P-21.0",2,2,,2,2,,,,,,,,,,,,,  
49,1,,172125-45500,, "LEVER, LOCK",,,,,,1,,1,,,,,,,,,,,,,

Fig. **25** ソウジュウソウチ(レバー)  
**CONTROL EQUIPMENT (LEVER)**  
 (シンガタ)  
 (NEW TYPE)

SPEC. CODE  
 D72122-45100  
 D72124-45301  
 D72124-45400  
 D72122-45500  
 D72122-45520

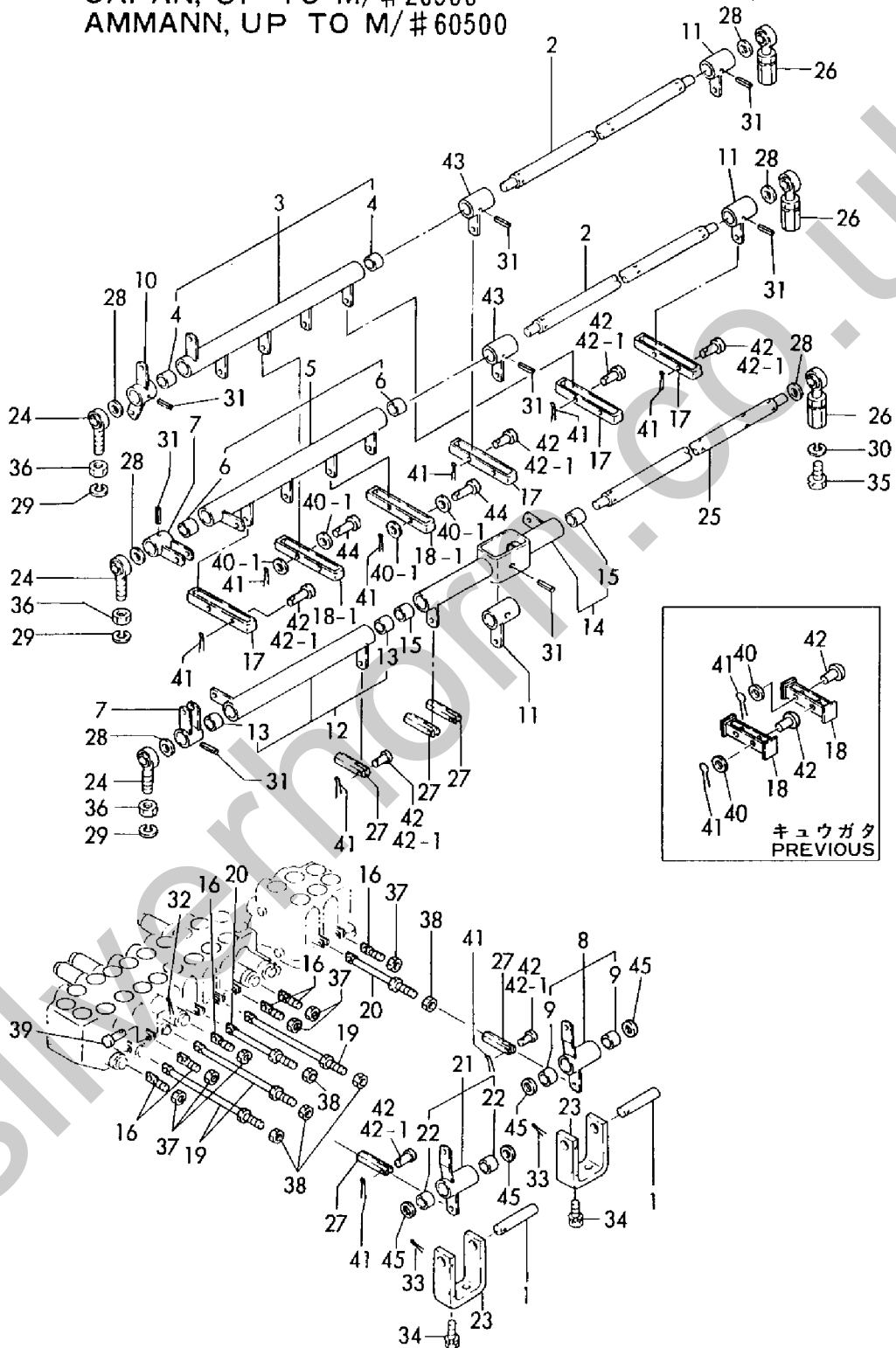
JAPAN, FROM TO M/ # 20501  
 AMMANN, FROM TO M/ # 60501



1,1,,172112-41380,, "SHAFT, BLADE LEVER",2,2,,2,2,,,,,,,,,,,,,  
 2,1,,172124-45200,, "SHAFT 20X705",2,2,,2,2,,,,,,,,,,,,,  
 3,1,,172124-45210,, "LINK (A)",1,1,,1,1,,,,,,,,,,,,,  
 4,2,,172112-42730,, "BUSH 20X15",2,2,,2,2,,,,,,,,,,,,,  
 5,1,,172124-45240,, "LINK (B)",1,1,,1,1,,,,,,,,,,,,,  
 6,2,,172112-42730,, "BUSH 20X15",2,2,,2,2,,,,,,,,,,,,,  
 7,1,,172122-45250,, "LINK (B)",2,2,,2,2,,,,,,,,,,,,,  
 8,1,,172124-45530,, "LINK (H)",1,1,,1,1,,,,,,,,,,,,,  
 9,2,,933171-23680,, "BUSH 14X15",2,2,,2,2,,,,,,,,,,,,,  
 10,1,,172124-45270,, "LINK (D)",1,1,,1,1,,,,,,,,,,,,,  
 11,1,,172122-45280,, "LINK (C)",3,3,,3,3,,,,,,,,,,,,,  
 12,1,,172124-45280,, "LINK (E)",1,1,,1,1,,,,,,,,,,,,,  
 13,2,,172112-42730,, "BUSH 20X15",2,2,,2,2,,,,,,,,,,,,,  
 14,1,,172124-45300,, "LINK (F)",1,1,,1,1,,,,,,,,,,,,,  
 15,2,,172112-42730,, "BUSH 20X15",2,2,,2,2,,,,,,,,,,,,,  
 16,1,,172124-45330,, "LINK (A), SPOOL",6,6,,6,6,,,,,,,,,,,,,  
 17,1,,172124-45441,, "LINK (D)ASSY, SPOOL",4,4,,4,4,,,,,,,,,,,,,  
 18,1,,172124-45480,, "LINK (E), SPOOL",2,2,,2,2,,,,,,,,,,,,,  
 18-1,1,,172124-45481,, "LINK (E)ASSY,  
 SPOOL",2,2,,2,2,,R,,,\*1985.12,,\*1985.12,,,,\*1985.12,,\*1985.12  
 19,1,,172124-45380,, "LINK (B), SPOOL",3,3,,3,3,,,,,,,,,,,,,  
 20,1,,172124-45400,, "LINK (C), SPOOL",2,2,,2,2,,,,,,,,,,,,,  
 21,1,,172124-45420,, "LINK (G)",1,1,,1,1,,,,,,,,,,,,,  
 22,2,,933171-23680,, "BUSH 14X15",2,2,,2,2,,,,,,,,,,,,,  
 23,1,,172122-45660,, "BRACKET (A), LINK",2,2,,2,2,,,,,,,,,,,,,  
 24,1,,172122-45720,, "ROD-END 14",6,6,,6,6,,,,,,,,,,,,,  
 25,1,,172122-45740,, "SHAFT (L), LINK",1,1,,1,1,,,,,,,,,,,,,  
 25-1,1,,172122-45731,, "LINK  
 SHAFT(R)",1,1,,1,1,,R,,,\*1984.10,,\*1984.10,,,,\*1984.10,,\*1984.10  
 26,1,,172122-45780,, "BOSS, SCREW",3,3,,3,3,,,,,,,,,,,,,  
 27,1,,172122-46550,, "LINK (B), SPOOL",5,5,,5,5,,,,,,,,,,,,,  
 28,1,,22137-140000,, "WASHER 14,POLISHED",6,6,,6,6,,,,,,,,,,,,,  
 29,1,,22217-140000,, "SPRING WASHER 14",6,6,,6,6,,,,,,,,,,,,,  
 30,1,,22217-140000,, "SPRING WASHER 14",3,3,,3,3,,,,,,,,,,,,,  
 31,1,,22351-050032,, "SPRING PIN 5X32",8,8,,8,8,,,,,,,,,,,,,  
 32,1,,22417-160160,, "COTTER PIN 1.6X16",11,11,,11,11,,,,,,,,,,,,,  
 33,1,,22417-400400,, "COTTER PIN 4.0X40",2,2,,2,2,,,,,,,,,,,,,  
 34,1,,26013-100202,, "BOLT W/WASHER M10X20",4,4,,4,4,,,,,,,,,,,,,  
 35,1,,26116-140202,, "BOLT M14X 20 PLATED",3,3,,3,3,,,,,,,,,,,,,  
 36,1,,26726-140002,, "NUT M14",6,6,,6,6,,,,,,,,,,,,,  
 37,1,,26716-080002,, "NUT M 8",6,6,,6,6,,,,,,,,,,,,,  
 38,1,,26716-100002,, "NUT M10",5,5,,5,5,,,,,,,,,,,,,  
 39,1,,933110-54100,, "PIN 4.75X14",11,11,,11,11,,,,,,,,,,,,,  
 40,1,,22117-080000,, "WASHER 8",2,2,,2,2,,,,,,,,,,,,,  
 40-1,1,,22117-080000,, "WASHER 8",4,4,,4,4,,K,,M00727,,M00727,,,,M00645,,M00645  
 41,1,,22417-200150,, "COTTER PIN 2.0X15",11,11,,11,11,,,,,,,,,,,,,  
 42,1,,933171-21700,, "PIN (B), SPOOL LINK",11,11,,11,11,,,,,,,,,,,,,  
 42-1,1,,933171-21700,, "PIN (B), SPOOL  
 LINK",9,9,,9,9,,K,,M00727,,M00727,,,,M00645,,M00645  
 43,1,,172124-45430,, "LINK (I)",2,2,,2,2,,,,,,,,,,,,,  
 44,1,,172112-41960,, "PIN 8X25.5",2,2,,2,2,,W,,M00727,,M00727,,,,M00645,,M00645  
 45,1,,172122-45790,, SHIM,4,4,,4,4,,W,,M00501,,M00501,,,,M00501,,M00501

Fig. **26** ソウジュウソウチ(リンク)  
**CONTROL EQUIPMENT (LINK)**  
 (キュウガタ)  
 (PREVIOUS)  
 JAPAN, UP TO M/#20500  
 AMMANN, UP TO M/#60500

SPEC. CODE  
 D72124-45200  
 D72124-45600



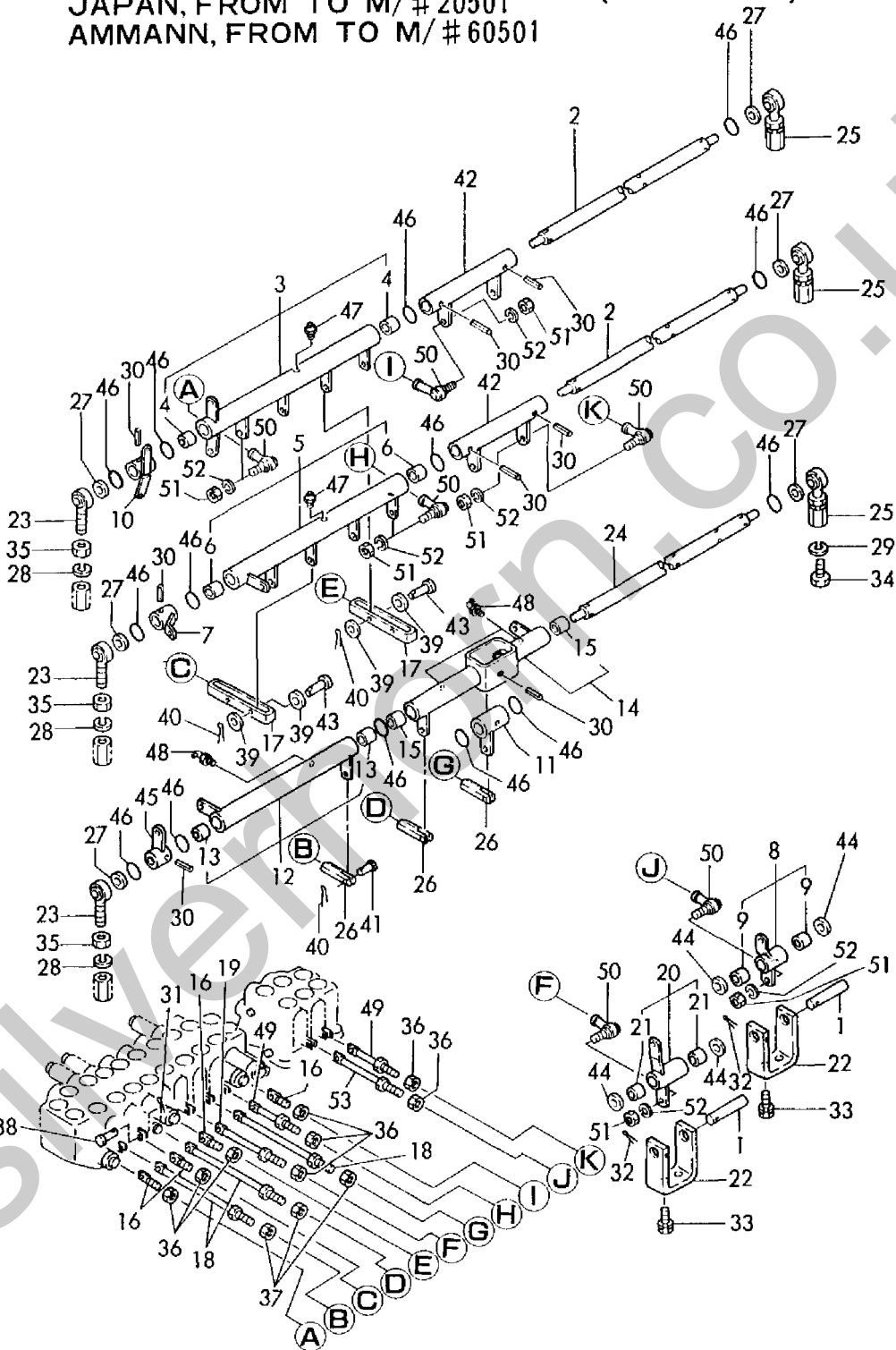
1,1,,172112-41380,, "SHAFT, BLADE LEVER",2,2,,2,2,,,,,,,,,,,,,  
2,1,,172124-45200,, "SHAFT 20X705",2,2,,2,2,,,,,,,,,,,,,  
3,1,,172124-45211,, "LINK (A)",1,1,,1,1,,,,,,,,,,,,,  
4,2,,172112-42730,, "BUSH 20X15",2,2,,2,2,,,,,,,,,,,,,  
5,1,,172124-45241,, "LINK (B)",1,1,,1,1,,,,,,,,,,,,,  
6,2,,172112-42730,, "BUSH 20X15",2,2,,2,2,,,,,,,,,,,,,  
7,1,,172122-45251,, "LINK (B)",1,1,,1,1,,,,,,,,,,,,,  
8,1,,172124-45531,, "LINK (H)",1,1,,1,1,,,,,,,,,,,,,  
9,2,,933171-23680,, "BUSH 14X15",2,2,,2,2,,,,,,,,,,,,,  
10,1,,172124-45271,, "LINK (D)",1,1,,1,1,,,,,,,,,,,,,  
11,1,,172122-45281,, "LINK (C)",1,1,,1,1,,,,,,,,,,,,,  
12,1,,172124-45281,, "LINK (E)",1,1,,1,1,,,,,,,,,,,,,  
13,2,,172112-42730,, "BUSH 20X15",2,2,,2,2,,,,,,,,,,,,,  
14,1,,172124-45301,, "LINK (F)",1,1,,1,1,,,,,,,,,,,,,  
15,2,,172112-42730,, "BUSH 20X15",2,2,,2,2,,,,,,,,,,,,,  
16,1,,172124-45331,, "LINK (A), SPOOL",4,4,,4,4,,,,,,,,,,,,,  
17,1,,172124-45481,, "LINK (E)ASSY, SPOOL",2,2,,2,2,,,,,,,,,,,,,  
18,1,,172124-45380,, "LINK (B), SPOOL",3,3,,3,3,,,,,,,,,,,,,  
19,1,,172124-45401,, "LINK (C)ASSY, SPOOL",1,1,,1,1,,,,,,,,,,,,,  
20,1,,172124-45421,, "LINK (G)",1,1,,1,1,,,,,,,,,,,,,  
21,2,,933171-23680,, "BUSH 14X15",2,2,,2,2,,,,,,,,,,,,,  
22,1,,172122-45660,, "BRACKET (A), LINK",2,2,,2,2,,,,,,,,,,,,,  
23,1,,172122-45720,, "ROD-END 14",6,6,,6,6,,,,,,,,,,,,,  
24,1,,172122-45731,, "LINK SHAFT(R)",1,1,,1,1,,,,,,,,,,,,,  
25,1,,172122-45780,, "BOSS, SCREW",3,3,,3,3,,,,,,,,,,,,,  
26,1,,172122-46550,, "LINK (B), SPOOL",3,3,,3,3,,,,,,,,,,,,,  
27,1,,22157-120000,, "WASHER 12",6,6,,6,6,,,,,,,,,,,,,  
28,1,,22217-140000,, "SPRING WASHER 14",6,6,,6,6,,,,,,,,,,,,,  
29,1,,22217-140000,, "SPRING WASHER 14",3,3,,3,3,,,,,,,,,,,,,  
30,1,,22351-050036,, "SPRING PIN 5X36",8,8,,8,8,,,,,,,,,,,,,  
31,1,,22417-160160,, "COTTER PIN 1.6X16",11,11,,11,11,,,,,,,,,,,,,  
32,1,,22417-400400,, "COTTER PIN 4.0X40",2,2,,2,2,,,,,,,,,,,,,  
33,1,,26013-100202,, "BOLT W/WASHER M10X20",4,4,,4,4,,,,,,,,,,,,,  
34,1,,26116-140202,, "BOLT M14X 20 PLATED",3,3,,3,3,,,,,,,,,,,,,  
35,1,,26716-140002,, "NUT M14",6,6,,6,6,,,,,,,,,,,,,  
36,1,,26716-080002,, "NUT M 8",8,8,,8,8,,,,,,,,,,,,,  
37,1,,26716-100002,, "NUT M10",3,3,,3,3,,,,,,,,,,,,,  
38,1,,933110-54100,, "PIN 4.75X14",11,11,,11,11,,,,,,,,,,,,,  
39,1,,22117-080000,, "WASHER 8",4,4,,4,4,,,,,,,,,,,,,  
40,1,,22417-200150,, "COTTER PIN 2.0X15",5,5,,5,5,,,,,,,,,,,,,  
41,1,,933171-21700,, "PIN (B), SPOOL LINK",3,3,,3,3,,,,,,,,,,,,,  
42,1,,172124-45431,, "LINK (I)",2,2,,2,2,,,,,,,,,,,,,  
43,1,,172112-41960,, "PIN 8X25.5",2,2,,2,2,,,,,,,,,,,,,  
44,1,,172122-45790,, "SHIM",4,4,,4,4,,,,,,,,,,,,,  
45,1,,172124-46300,, "LINK (B1) ASSY",1,1,,1,1,,,,,,,,,,,,,  
46,1,,172124-46200,, "O-RING 27X5.7",14,14,,14,14,,,,,,,,,,,,,  
47,1,,24761-020000,, "NIPPLE PT1/8,GREASE",2,2,,2,2,,,,,,,,,,,,,  
48,1,,24761-050000,, "NIPPLE C,GREASE",3,3,,3,3,,,,,,,,,,,,,  
49,1,,172124-46340,, "ROD (A), SPOOL",2,2,,2,2,,,,,,,,,,,,,  
50,1,,172112-41980,, "BEARING, ROD-END",6,6,,6,6,,,,,,,,,,,,,  
50-1,1,,172122-46590,, "ELBALL  
8",6,6,,6,6,,R,,,\*1987.05,,\*1987.05,,,,,\*1987.05,,\*1987.05  
51,1,,26716-080002,, "NUT M 8",6,6,,6,6,,,,,,,,,,,,,  
52,1,,22217-080000,, "SPRING WASHER 8",6,6,,6,6,,,,,,,,,,,,,  
53,1,,172124-46380,, "ROD, SPOOL",1,1,,1,1,,,,,,,,,,,,,



Fig. **27** ソウジュウソウチ(リンク)  
**CONTROL EQUIPMENT (LINK)**  
 (シンガタ)  
 (NEW TYPE)

SPEC. CODE  
 D72124-45201  
 D72124-45601

JAPAN, FROM TO M/#20501  
 AMMANN, FROM TO M/#60501



1,1,,172123-45201,, "LINK ASSY",1,1,,1,1,,,,,,,,,,,,,  
2,1,,172122-45801,, "PEDAL,ACCELERATOR",1,1,,1,1,,,,,,,,,,,,,  
3,1,,172122-45830,, "PAD, METAL",1,1,,1,1,,,,,,,,,,,,,  
4,1,,22137-100000,, "WASHER 10,POLISHED",1,1,,1,1,,,,,,,,,,,,,  
5,1,,26346-100002,, "U-NUT M10 PLATED",1,1,,1,1,,,,,,,,,,,,,  
6,1,,172112-41380,, "SHAFT, BLADE LEVER",1,1,,1,1,,,,,,,,,,,,,  
7,1,,172122-45340,, "LINK (E) W/BUSH",3,3,,3,3,,,,,,,,,,,,,  
8,2,,933171-23680,, "BUSH 14X15",6,6,,6,6,,,,,,,,,,,,,  
9,1,,172122-45510,, "LINK W/BUSH, BLADE",1,1,,1,1,,,,,,,,,,,,,  
10,2,,933171-23680,, "BUSH 14X15",2,2,,2,2,,,,,,,,,,,,,  
11,1,,172122-45540,, "BOSS W/BUSH, LINK",2,2,,2,2,,,,,,,,,,,,,  
12,2,,172116-46960,, "BUSH 20X15",4,4,,4,4,,,,,,,,,,,,,  
13,1,,172122-45591,, "LINK (L) W/BUSH",1,1,,1,1,,,,,,,,,,,,,  
14,2,,933171-23680,, "BUSH 14X15",2,2,,2,2,,,,,,,,,,,,,  
15,1,,172122-45611,, "LINK (R) W/BUSH",1,1,,1,1,,,,,,,,,,,,,  
16,2,,933171-23680,, "BUSH 14X15",2,2,,2,2,,,,,,,,,,,,,  
17,1,,172122-45640,, "LINK, WORK",2,2,,2,2,,,,,,,,,,,,,  
18,1,,172122-45670,, "BRACKET (B), LINK",1,1,,1,1,,,,,,,,,,,,,  
19,1,,172122-45700,, "ARM, DRIVING LINK",2,2,,2,2,,,,,,,,,,,,,  
19-1,1,,172122-45701,, "ARM, DRIVING  
LINK",2,2,,2,2,,N,,M00501,,M00501,,,,,M00501,,M00501  
20,1,,172122-45760,, "SHAFT, LINK",1,1,,1,1,,,,,,,,,,,,,  
21,1,,172122-45770,, "SHAFT, LINK",3,3,,3,3,,,,,,,,,,,,,  
22,1,,22137-140000,, "WASHER 14,POLISHED",2,2,,2,2,,,,,,,,,,,,,  
23,1,,22242-000200,, "CIRCLIP 20",2,2,,2,2,,,,,,,,,,,,,  
24,1,,22417-400320,, "COTTER PIN 4.0X32",1,1,,1,1,,,,,,,,,,,,,  
25,1,,22417-400320,, "COTTER PIN 4.0X32",1,1,,1,1,,,,,,,,,,,,,  
26,1,,22417-400400,, "COTTER PIN 4.0X40",2,2,,2,2,,,,,,,,,,,,,  
27,1,,22417-400400,, "COTTER PIN 4.0X40",1,1,,1,1,,,,,,,,,,,,,  
28,1,,26013-100202,, "BOLT W/WASHER M10X20",4,4,,4,4,,,,,,,,,,,,,  
29,1,,26013-100202,, "BOLT W/WASHER M10X20",2,2,,2,2,,,,,,,,,,,,,  
30,1,,26756-050002,, "LOCK NUT M 5 PLATED",4,4,,4,4,,,,,,,,,,,,,  
31,1,,26756-050002,, "LOCK NUT M 5 PLATED",2,2,,2,2,,,,,,,,,,,,,  
32,1,,26979-050202,, "SCREW M 5X 20",4,4,,4,4,,,,,,,,,,,,,  
32-1,1,,172122-47500,, "SCREW M 5X  
20",4,4,,4,4,,R,1,,M10501,,M10501,,,,,M10501,,M10501  
33,1,,26979-050202,, "SCREW M 5X 20",2,2,,2,2,,,,,,,,,,,,,  
33-1,1,,172122-47500,, "SCREW M 5X  
20",2,2,,2,2,,R,1,,M10501,,M10501,,,,,M10501,,M10501  
34,1,,172730-11440,, "TURNBUCKLE 10",3,3,,3,3,,,,,,,,,,,,,  
35,1,,194150-22480,, "NUT M10",3,3,,3,3,,,,,,,,,,,,,  
36,1,,172112-41960,, "PIN 8X25.5",2,2,,2,2,,,,,,,,,,,,,  
37,1,,172112-41980,, "BEARING, ROD-END",3,3,,3,3,,,,,,,,,,,,,  
38,1,,172112-42130,, "ROD (A), ARM",1,1,,1,1,,,,,,,,,,,,,  
39,1,,172124-45700,, "ROD (A)",1,1,,1,1,,,,,,,,,,,,,  
40,1,,172124-45710,, "ROD (B)",2,2,,2,2,,,,,,,,,,,,,  
41,1,,172124-45730,, "ROD (C)",1,1,,1,1,,,,,,,,,,,,,  
42,1,,172124-45750,, "ROD (D)",1,1,,1,1,,,,,,,,,,,,,  
43,1,,172124-45770,, "ROD (E)",1,1,,1,1,,,,,,,,,,,,,  
44,1,,172122-46290,, ROD,3,3,,3,3,,,,,,,,,,,,,  
45,1,,172122-46360,, ROD,1,1,,1,1,,,,,,,,,,,,,  
46,1,,172122-46380,, ROD,1,1,,1,1,,,,,,,,,,,,,  
47,1,,172122-46400,, ROD,2,2,,2,2,,,,,,,,,,,,,  
48,1,,172122-46420,, ROD,2,2,,2,2,,,,,,,,,,,,,  
49,1,,172122-46560,, "ROD-END 10",6,6,,6,6,,,,,,,,,,,,,  
49-1,1,,172122-46560,, "ROD-END  
10",5,5,,5,5,,K,,M00677,,M00677,,,,,M00631,,M00631  
50,1,,172122-46570,, "ROD-END 8",2,2,,2,2,,,,,,,,,,,,,  
51,1,,22117-080000,, "WASHER 8",2,2,,2,2,,,,,,,,,,,,,  
52,1,,22217-080000,, "SPRING WASHER 8",3,3,,3,3,,,,,,,,,,,,,  
53,1,,22217-100000,, "SPRING WASHER 10",6,6,,6,6,,,,,,,,,,,,,  
54,1,,22417-200150,, "COTTER PIN 2.0X15",17,17,,17,17,,,,,,,,,,,,,  
55,1,,26716-080002,, "NUT M 8",8,8,,8,8,,,,,,,,,,,,,

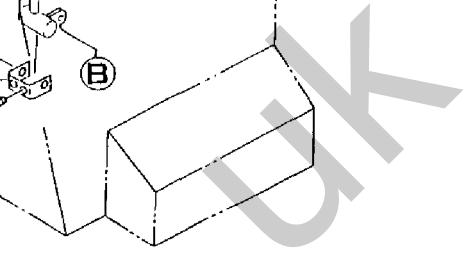
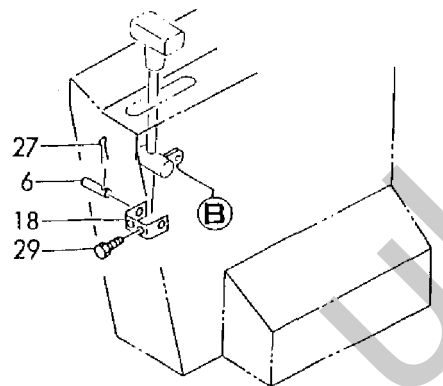
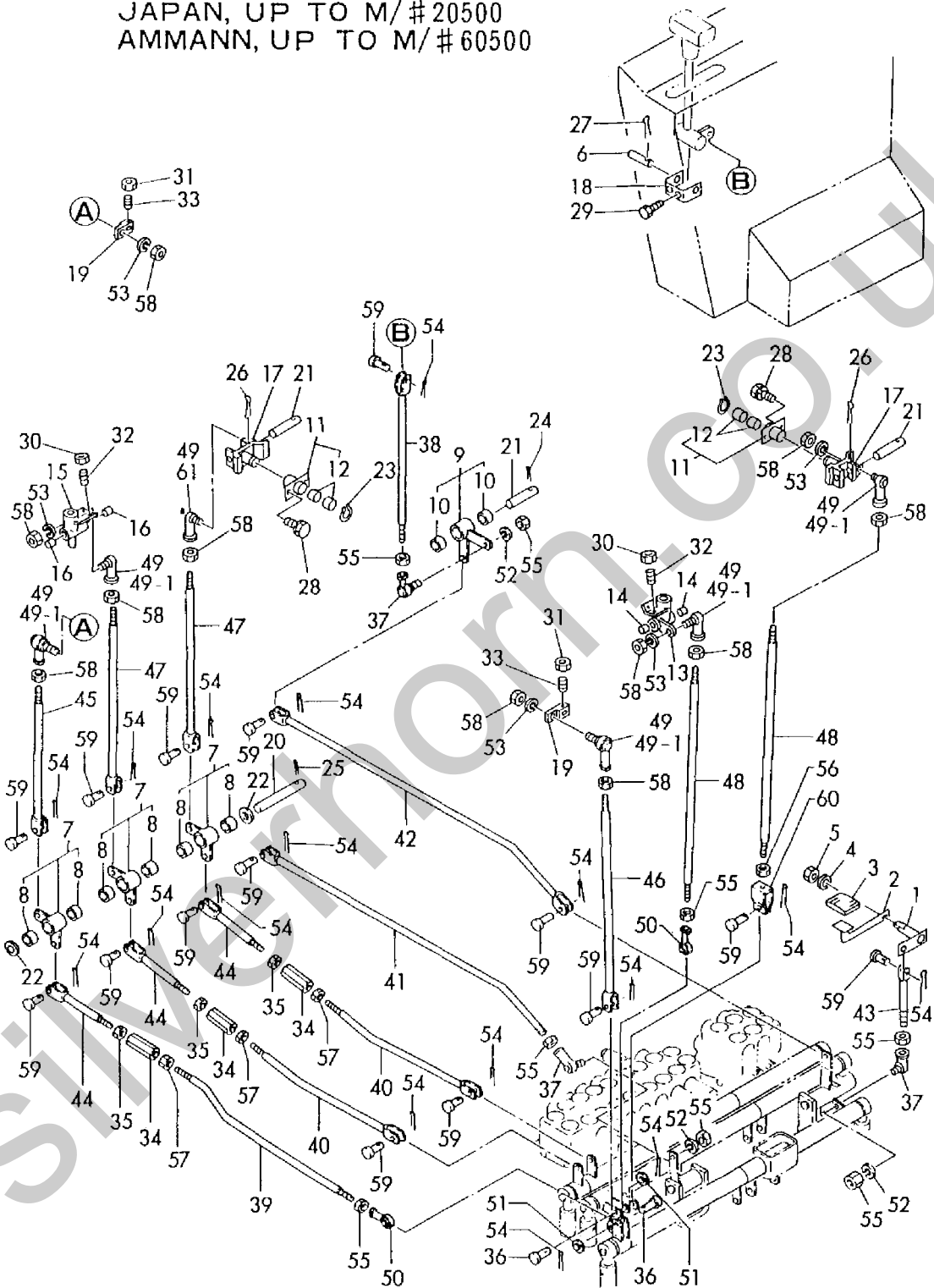
56,1,,26716-080002,, "NUT M 8",1,1,,1,1,,,,,,,,,,,,,  
57,1,,26716-100002,, "NUT M10",3,3,,3,3,,,,,,,,,,,,,  
58,1,,26776-100002,, "LOCK NUT M10 PLATED",12,12,,12,12,,,,,,,,,,,,,  
59,1,,933171-21700,, "PIN (B), SPOOL LINK",15,15,,15,15,,,,,,,,,,,,,  
60,1,,933171-21950,, "JOINT, ROD",1,1,,1,1,,,,,,,,,,,,,  
61,1,,172122-46580,, "ROD END 10",1,1,,1,1,W,,M00677,,M00677,,,,,M00631,,M00631

Silverhorn.CO.UK

SPEC. CODE  
D72124-41100  
D72124-45200  
D72124-45600

Fig. 28 ソウジュウソウチ(ロッド)(キュウガタ)  
CONTROL EQUIPMENT(ROD)  
(PREVIOUS)

JAPAN, UP TO M/#20500  
AMMANN, UP TO M/#60500



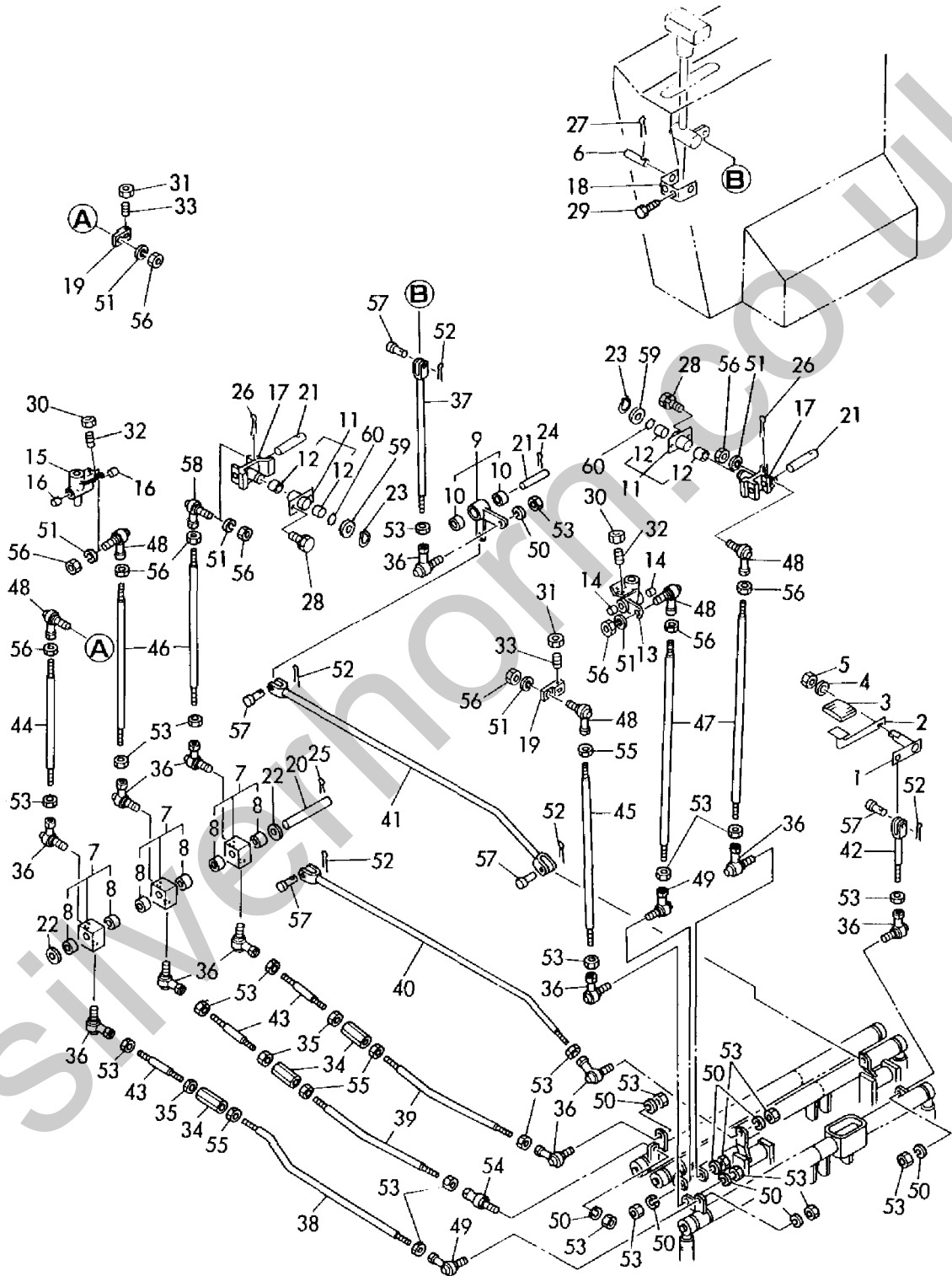
1,1,,172123-45201,, "LINK ASSY",1,1,,1,1,,,,,,,,,,,,,  
2,1,,172122-45801,, "PEDAL,ACCELERATOR",1,1,,1,1,,,,,,,,,,,,,  
3,1,,172122-45830,, "PAD, METAL",1,1,,1,1,,,,,,,,,,,,,  
4,1,,22137-100000,, "WASHER 10,POLISHED",1,1,,1,1,,,,,,,,,,,,,  
5,1,,26346-100002,, "U-NUT M10 PLATED",1,1,,1,1,,,,,,,,,,,,,  
6,1,,172112-41380,, "SHAFT, BLADE LEVER",1,1,,1,1,,,,,,,,,,,,,  
7,1,,172122-45351,, "LINK (E) W/BUSH",3,3,,3,3,,,,,,,,,,,,,  
8,2,,933171-23680,, "BUSH 14X15",6,6,,6,6,,,,,,,,,,,,,  
9,1,,172122-45510,, "LINK W/BUSH, BLADE",1,1,,1,1,,,,,,,,,,,,,  
10,2,,933171-23680,, "BUSH 14X15",2,2,,2,2,,,,,,,,,,,,,  
11,1,,172122-45541,, "BOSS W/BUSH, LINK",2,2,,2,2,,,,,,,,,,,,,  
12,2,,24162-172312,, "NEEDLE BEARING",4,4,,4,4,,,,,,,,,,,,,  
13,1,,172122-45592,, "LINK (L) W/BUSH",1,1,,1,1,,,,,,,,,,,,,  
14,2,,172124-46400,, "BUSH 14X15",2,2,,2,2,,,,,,,,,,,,,  
15,1,,172122-45612,, "LINK (R) W/BUSH",1,1,,1,1,,,,,,,,,,,,,  
16,2,,172124-46400,, "BUSH 14X15",2,2,,2,2,,,,,,,,,,,,,  
17,1,,172122-45641,, "LINK, WORK",2,2,,2,2,,,,,,,,,,,,,  
18,1,,172122-45670,, "BRACKET (B), LINK",1,1,,1,1,,,,,,,,,,,,,  
19,1,,172122-45701,, "ARM, DRIVING LINK",2,2,,2,2,,,,,,,,,,,,,  
20,1,,172122-45760,, "SHAFT, LINK",1,1,,1,1,,,,,,,,,,,,,  
21,1,,172122-45770,, "SHAFT, LINK",3,3,,3,3,,,,,,,,,,,,,  
22,1,,22137-140000,, "WASHER 14,POLISHED",2,2,,2,2,,,,,,,,,,,,,  
23,1,,22242-000170,, "CIRCLIP 17",2,2,,2,2,,,,,,,,,,,,,  
24,1,,22417-400320,, "COTTER PIN 4.0X32",1,1,,1,1,,,,,,,,,,,,,  
25,1,,22417-400320,, "COTTER PIN 4.0X32",1,1,,1,1,,,,,,,,,,,,,  
26,1,,22417-400400,, "COTTER PIN 4.0X40",2,2,,2,2,,,,,,,,,,,,,  
27,1,,22417-400400,, "COTTER PIN 4.0X40",1,1,,1,1,,,,,,,,,,,,,  
28,1,,26013-100202,, "BOLT W/WASHER M10X20",4,4,,4,4,,,,,,,,,,,,,  
29,1,,26013-100202,, "BOLT W/WASHER M10X20",2,2,,2,2,,,,,,,,,,,,,  
30,1,,194990-22120,, "NUT W/WASHER 5",4,4,,4,4,,,,,,,,,,,,,  
31,1,,194990-22120,, "NUT W/WASHER 5",2,2,,2,2,,,,,,,,,,,,,  
32,1,,26979-050202,, "SCREW M 5X 20",4,4,,4,4,,,,,,,,,,,,,  
33,1,,26979-050202,, "SCREW M 5X 20",2,2,,2,2,,,,,,,,,,,,,  
34,1,,172730-11440,, "TURNBUCKLE 10",3,3,,3,3,,,,,,,,,,,,,  
35,1,,194150-22480,, "NUT M10",3,3,,3,3,,,,,,,,,,,,,  
36,1,,172112-41980,, "BEARING, ROD-END",12,12,,12,12,,,,,,,,,,,,,  
37,1,,172112-42130,, "ROD (A), ARM",1,1,,1,1,,,,,,,,,,,,,  
38,1,,172124-45700,, "ROD (A)",1,1,,1,1,,,,,,,,,,,,,  
39,1,,172124-45721,, "ROD (B)",2,2,,2,2,,,,,,,,,,,,,  
40,1,,172124-45730,, "ROD (C)",1,1,,1,1,,,,,,,,,,,,,  
41,1,,172124-45750,, "ROD (D)",1,1,,1,1,,,,,,,,,,,,,  
42,1,,172124-45770,, "ROD (E)",1,1,,1,1,,,,,,,,,,,,,  
43,1,,172122-46301,, "ROD (H)",3,3,,3,3,,,,,,,,,,,,,  
44,1,,172122-46371,, "ROD (F)",1,1,,1,1,,,,,,,,,,,,,  
45,1,,172122-46391,, "ROD (G)",1,1,,1,1,,,,,,,,,,,,,  
46,1,,172122-46411,, "ROD (E)",2,2,,2,2,,,,,,,,,,,,,  
47,1,,172122-46420,, "ROD",2,2,,2,2,,,,,,,,,,,,,  
48,1,,172122-46560,, "ROD-END 10",5,5,,5,5,,,,,,,,,,,,,  
49,1,,172112-41980,, "BEARING, ROD-END",2,2,,2,2,,,,,,,,,,,,,  
49-1,1,,172122-46590,, "ELBALL  
8",2,2,,2,2,,R,,,\*1987.05,,\*1987.05,,,,,\*1987.05,,\*1987.05  
50,1,,22217-080000,, "SPRING WASHER 8",9,9,,9,9,,,,,,,,,,,,,  
51,1,,22217-100000,, "SPRING WASHER 10",6,6,,6,6,,,,,,,,,,,,,  
52,1,,22417-200150,, "COTTER PIN 2.0X15",5,5,,5,5,,,,,,,,,,,,,  
53,1,,26716-080002,, "NUT M 8",24,24,,24,24,,,,,,,,,,,,,  
54,1,,172122-47250,, "BALL 8, LINK",1,1,,1,1,,,,,,,,,,,,,  
55,1,,26716-100002,, "NUT M10",3,3,,3,3,,,,,,,,,,,,,  
56,1,,26776-100002,, "LOCK NUT M10 PLATED",12,12,,12,12,,,,,,,,,,,,,  
57,1,,933171-21700,, "PIN (B), SPOOL LINK",5,5,,5,5,,,,,,,,,,,,,  
58,1,,172122-46580,, "ROD END 10",1,1,,1,1,,,,,,,,,,,,,  
59,1,,194630-25250,, "LINER 17X30X1",2,2,,2,2,,,,,,,,,,,,,  
60,1,,172122-45330,, "O-RING 17",2,2,,2,2,,,,,,,,,,,,,

Fig. 29

ソウジュウソウチ(ロッド)(シンガタ)  
CONTROL EQUIPMENT (ROD) (NEW TYPE)

SPEC. CODE  
D72124-41100  
D72124-45201  
D72124-45601

JAPAN, FROM TO M/# 20501  
AMMANN, FROM TO M/# 60501



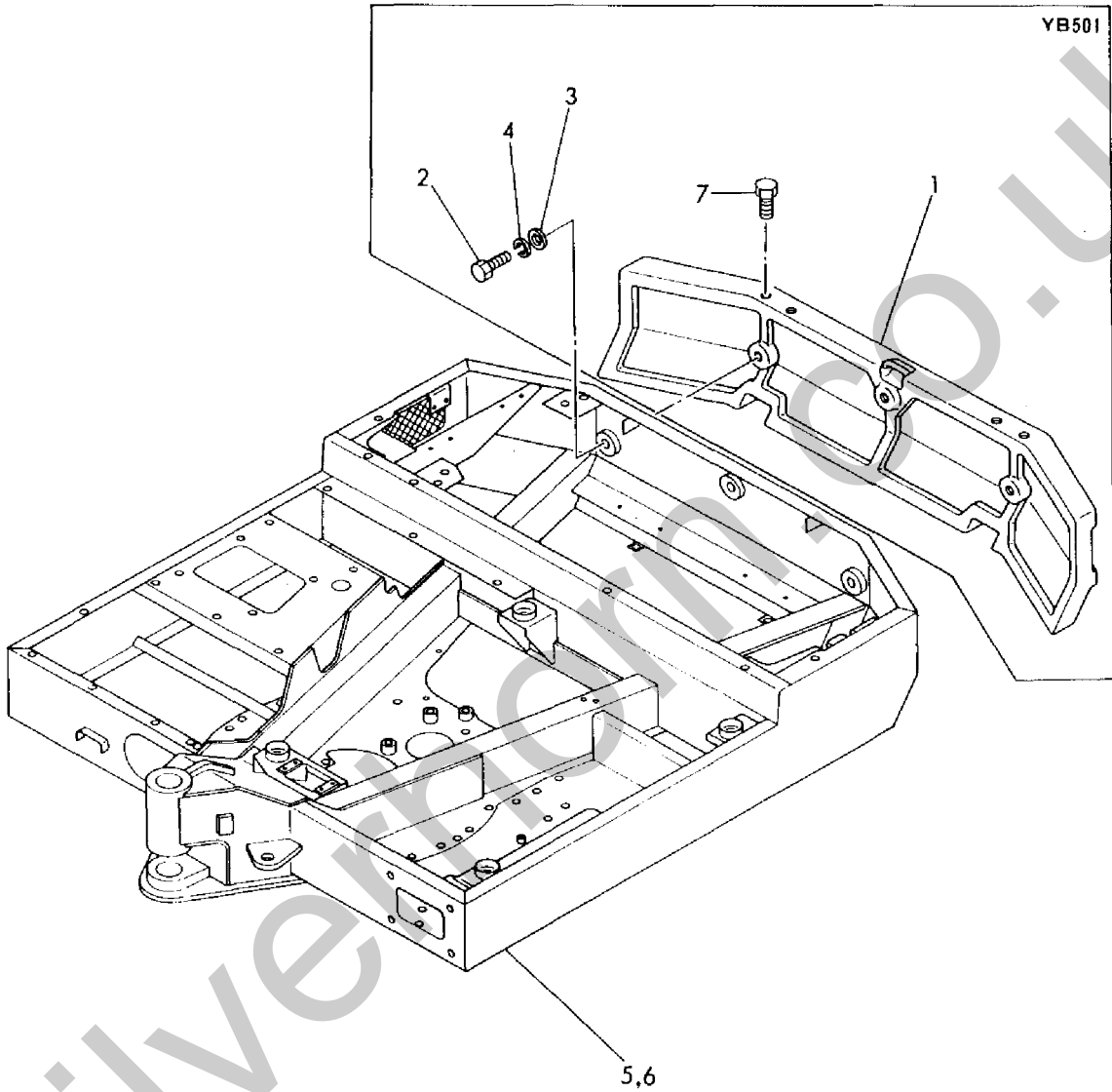
1,1,,172125-53300,, "WEIGHT, COUNTER" ,,,,1,1, ,,,,,,  
2,1,,172125-53330,, "BOLT M20X50" ,,,,3,3, ,,,,,,  
3,1,,22137-200000,, "WASHER 20,POLISHED" ,,,,3,3, ,,,,,,  
4,1,,22217-200000,, "SPRING WASHER 20" ,,,,3,3, ,,,,,,  
5,1,,172124-54010,, "FRAME ASSY, TURNING" ,1,1, ,,,,,,  
5-1,1,,172124-54011,, "FRAME ASSY, TURNING" ,1,1, ,,,,S, ,M20501, ,M20501, ,,,,,,  
5-2,1,,172124-54012,, "FRAME COMP.,TURNING" ,1,1, ,,,,S, ,M20879, ,M20879, ,,,,,,  
6,1,,172125-54010,, "FRAME ASSY, TURNING" ,,,,1,1, ,,,,,,  
6-1,1,,172125-54011,, "FRAME ASSY, TURNING" ,,,,1,1, ,,,,S, ,M20501, ,M20501, ,,,,,,  
6-2,1,,172125-54012,, "FRAME COMP.,TURNING" ,,,,1,1, ,,,,S, ,M20548, ,M20548, ,,,,,,  
7,1,,26116-200402,, "BOLT M20X40" ,,,,4,4, ,,,,,,

Silverhorn.CO.UK

Fig. **30** センカイフレーム  
TURNING FRAME

SPEC. CODE  
D72125-53300  
D72124-54100  
D72125-54100

COUNTRY	J	P	N	S	W	G	F	A	D	M	N	L
Fig. No.	30	32	32	32	32	32	32	32	32	32	32	32





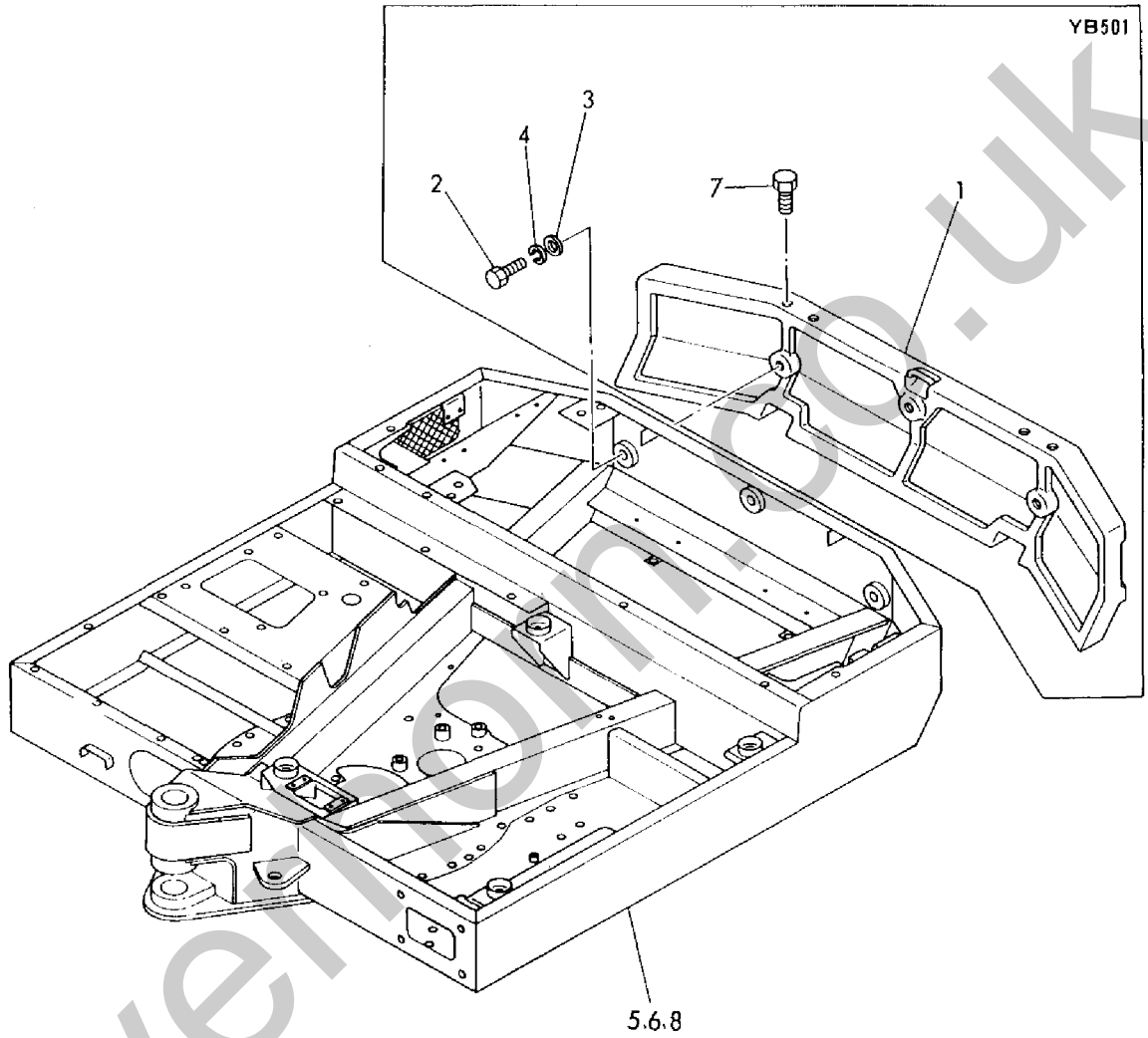
1,1,,172125-53300,, "WEIGHT, COUNTER" ,,,,1,1, ,,,,,,  
2,1,,172125-53330,, "BOLT M20X50" ,,,,3,3, ,,,,,,  
3,1,,22137-200000,, "WASHER 20,POLISHED" ,,,,3,3, ,,,,,,  
4,1,,22217-200000,, "SPRING WASHER 20" ,,,,3,3, ,,,,,,  
5,1,,172132-54010,, "FRAME ASSY, TURNING" ,1,1, ,,,,,,  
5-1,1,,172132-54011,, "FRAME ASSY, TURNING" ,1,1, ,,,,S,,,M20501,,M20501,,,,,  
5-2,1,,172132-54012,, "FRAME, TURNING" ,1,1, ,,,,S,,,M20879,,M20879,,,,,  
6,1,,172133-54010,, "FRAME ASSY, TURNING" ,,,,1,1, ,,,,,,  
6-1,1,,172133-54011,, "FRAME ASSY, TURNING" ,,,,1,1, ,,,,S,,,M20501,,M20501,,,,,  
6-2,1,,172133-54012,, "FRAME COMP.,TURNING" ,,,,1,1, ,,,,S,,,M20548,,M20548,,,,,  
7,1,,26116-200402,, "BOLT M20X40" ,,,,4,4, ,,,,,,  
8,1,,172133-54102,, "FRAME COMP.,TURNING" ,,,,,,1, ,,,,,,

Silverhorn.CO.UK

Fig. **31** センカイフレーム(U,UZ)  
TURNING FRAME (U. UZ)

SPEC. CODE  
D72125-53300  
D72132-54100  
D72133-54100  
D72133-54110

COUNTRY	J	P	N	W	S	W	G	F	A	D	M	N	L
Fig. No.	31	-	-	-	-	-	-	-	-	-	-	-	-



Silver

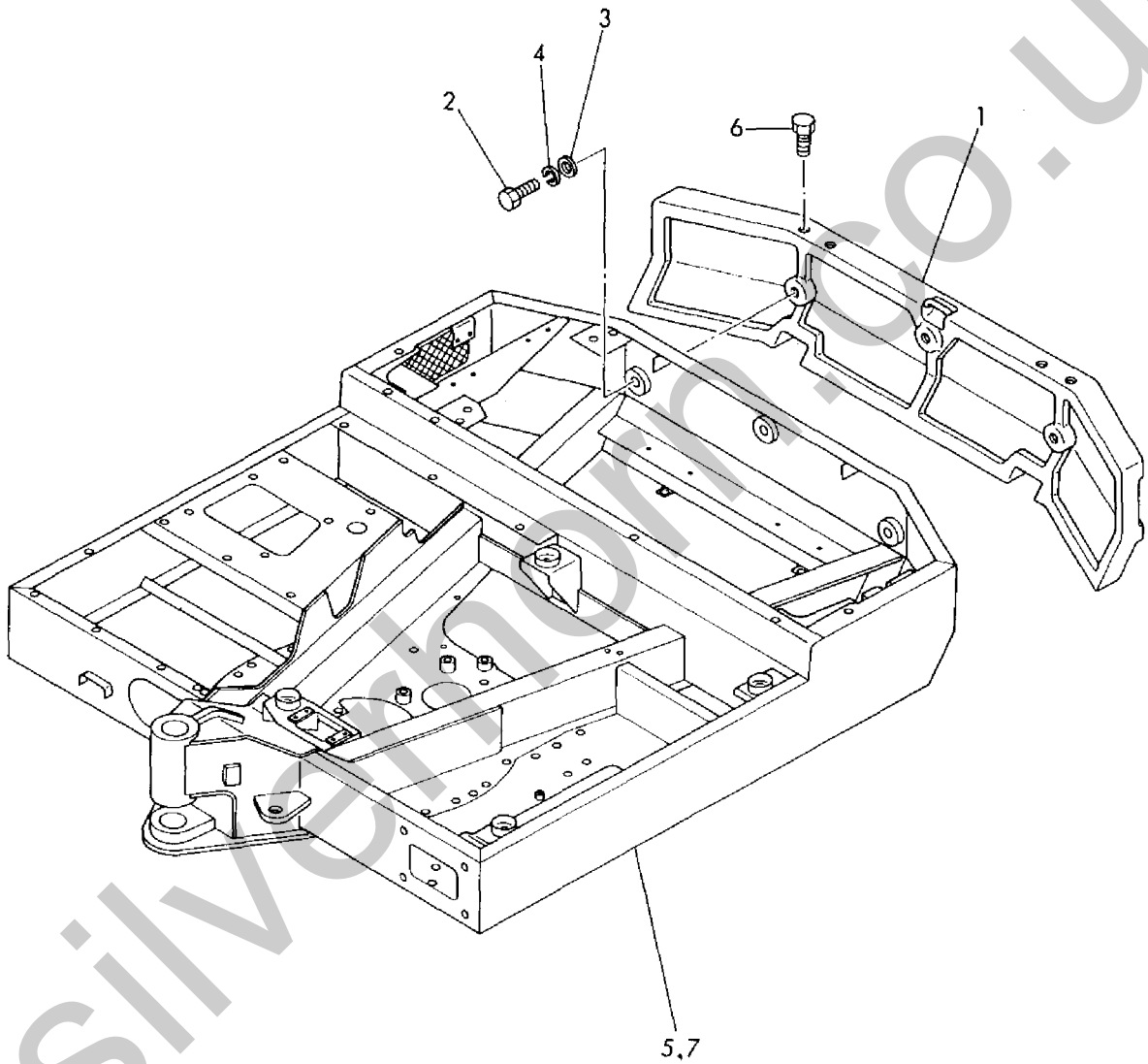
1,1,,172125-53300,, "WEIGHT, COUNTER" ,,,,,,1, ,,,,,,  
2,1,,172125-53330,, "BOLT M20X50" ,,,,,,3, ,,,,,,  
3,1,,22137-200000,, "WASHER 20,POLISHED" ,,,,,,3, ,,,,,,  
4,1,,22217-200000,, "SPRING WASHER 20" ,,,,,,3, ,,,,,,  
5,1,,172125-54100,, "FRAME ASSY, TURNING" ,,,,,,1, ,,,,,,  
5-1,1,,172125-54110,, "FRAME ASSY, TURNING" ,,,,,,1, S, ,,,,,,M50001  
5-2,1,,172125-54111,, "FRAME ASSY, TURNING" ,,,,,,1, S, ,,,,,,M60501  
5-3,1,,172125-54112,, "FRAME ASSY, TURNING" ,,,,,,1, S, ,,,,,,M60531  
6,1,,26116-200402,, "BOLT M20X40" ,,,,,,4, ,,,,,,  
7,1,,172124-54000,, "FRAME ASSY, TURNING" ,,,1, ,,,,,,1, ,,,,,,  
7-1,1,,172124-54001,, "FRAME ASSY, TURNING" ,,,1, ,,,,,,S,1, ,,,,,,M60501, ,,,,,,  
7-2,1,,172124-54002,, "FRAME COMP.,TURNING" ,,,1, ,,,,,,S,1, ,,,,,,M60531, ,,,,,,

Silverhorn.CO.UK

Fig. **32** センカイフレーム (アンマン)  
TURNING FRAME (AMMANN SPEC.)

SPEC. CODE  
D72125-53300  
D72124-54110  
D72125-54170

COUNTRY	J	P	N	S	W	G	F	A	D	M	N	L
Fig. No.	30	32	32	32	32	32	32	32	32	32	32	32

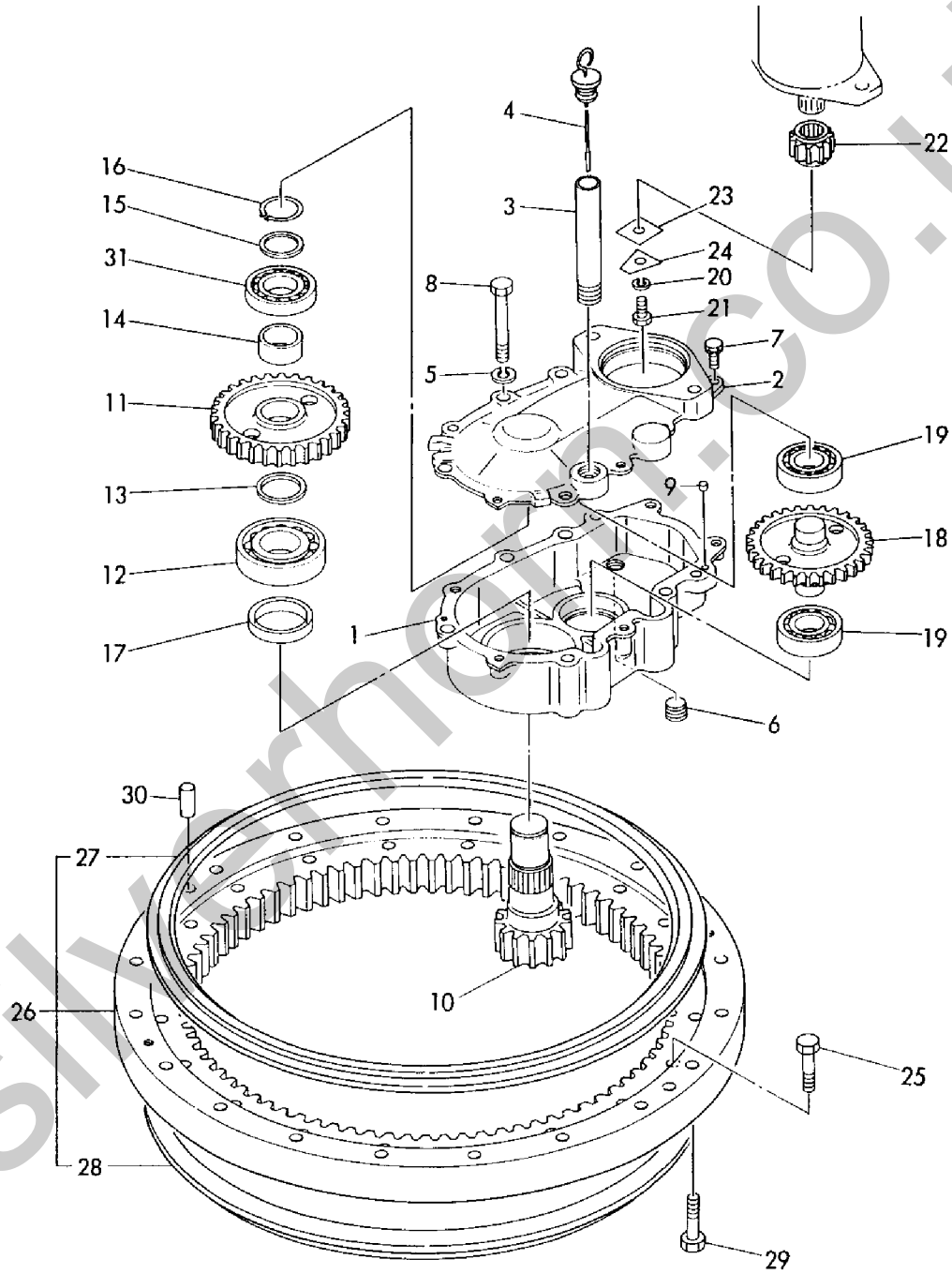


1,1,,172122-57100,, "HOUSING,REVOLVE GEAR",1,1,,1,1,.....  
 2,1,,172122-57110,, "COVER,GEAR HOUSING",1,1,,1,1,.....  
 3,1,,172122-57150,, "PIPE, GAUGE",1,1,,1,1,.....  
 4,1,,172122-57200,, "GAUGE, OIL LEVEL",1,1,,1,1,.....  
 4-1,1,,172122-57201,, "GAUGE, OIL  
 LEVEL",1,1,,1,1,N,,, \*1988.11,, \*1988.11,,,, \*1988.11,, \*1988.11  
 5,1,,22217-140000,, "SPRING WASHER 14",5,5,,5,5,.....  
 6,1,,23871-060000,, "PLUG PT3/4,SCREW",1,1,,1,1,.....  
 7,1,,26013-120302,, "BOLT W/WASHER M12X30",5,5,,5,5,.....  
 8,1,,26116-141102,, "BOLT M14X110 PLATED",5,5,,5,5,.....  
 9,1,,933110-22800,, "PIN 8X10",2,2,,2,2,.....  
 10,1,,172124-57300,, "PINION, REVOLVE",1,1,,1,1,.....  
 11,1,,172122-57310,, "GEAR, PINION SHAFT",1,1,,1,1,.....  
 12,1,,172124-57310,, "BEARING",1,1,,1,1,.....  
 13,1,,172124-57320,, "COLLAR",1,1,,1,1,.....  
 14,1,,172116-57350,, "COLLAR (B), PINION",1,1,,1,1,.....  
 15,1,,172116-57361,, "COLLAR (C), PINION",1,1,,1,1,.....  
 16,1,,22242-000450,, "CIRCLIP 45",1,1,,1,1,.....  
 17,1,,933171-13410,, "SEAL TCX6 628012,OIL",1,1,,1,1,.....  
 18,1,,172122-57400,, "GEAR, SECOND",1,1,,1,1,.....  
 19,1,,24101-063074,, "BEARING",2,2,,2,2,.....  
 19-1,1,,172124-57340,, "BEARING",2,2,,2,2,N,,, M00665,, M00665,,,, M00597,, M00597  
 20,1,,194200-01150,, "SPRING",1,1,,1,1,.....  
 20-1,1,,194740-00160,, "WASHER 10,  
 CONICAL",1,1,,1,1,R,,, \*1987.03,, \*1987.03,,,, \*1987.03,, \*1987.03  
 21,1,,195185-14890,, "BOLT M10X 26",1,1,,1,1,.....  
 22,1,,172122-57500,, "GEAR,TURNING MOTOR",1,1,,1,1,.....  
 23,1,,172122-57510,, "SPACER, MOTOR GEAR",1,1,,1,1,.....  
 24,1,,172122-57520,, "STOPPER",1,1,,1,1,.....  
 25,1,,172112-57510,, "BOLT M16X 90",20,20,,20,20,.....  
 26,1,,172124-57600,, "BEARING,REVOLVE",1,1,,1,1,.....  
 27,2,,172124-57620,, "SEAL, UPPER",1,1,,1,1,.....  
 28,2,,172124-57630,, "SEAL, LOWER",1,1,,1,1,.....  
 29,1,,172124-57610,, "BOLT M16X80",20,20,,20,20,.....  
 30,1,,172122-57620,, "PARALLEL PIN 13X36",4,4,,4,4,.....  
 31,1,,172124-57330,, "BEARING",1,1,,1,1,.....



Fig. **33** センカイクドウソウチ  
TURNING DRIVING GEARS

SPEC. CODE  
D72122-57100  
D72124-57300  
D72122-57400  
D72122-57500  
D72124-57600



1,1,,172124-05300,, "COVER, TOOL",1,,1,,,,,,,,,,,,,  
1-1,1,,172124-05301,, "COVER, TOOL",1,,1,,S,,M20501,,,,,M20501,,  
2,1,,172124-05330,, "CATCH, MAGNET",1,,1,,,,,,,,,,,,,  
3,1,,26013-100202,, "BOLT W/WASHER M10X20",4,,4,,,,,,,,,,,,,  
4,1,,26023-030082,, "SCREW M 3X 8",2,,2,,,,,,,,,,,,,  
5,1,,172124-58800,, "PIN, TURNING LOCK",1,,1,,,,,,,,,,,,,  
6,1,,172124-61100,, "COVER (A)ASSY",1,,1,,,,,,,,,,,,,  
6-1,1,,172124-61101,, "COVER (A)ASSY",1,,1,,S,,M00704,,,,,M00632,,  
6-2,1,,172124-61102,, "COVER (A)ASSY",1,,1,,N,,M21300,,,,,M20589,,  
7,1,,172124-61150,, "COVER (C)ASSY",1,,1,,,,,,,,,,,,,  
8,1,,172124-61260,, "COVER (D)",1,,1,,,,,,,,,,,,,  
8-1,1,,172124-61261,, "COVER (D)",1,,1,,S,,M20501,,,,,M20501,,  
9,1,,172124-61200,, "COVER (E)",1,,1,,,,,,,,,,,,,  
10,1,,172124-61210,, "COVER (F)",1,,1,,,,,,,,,,,,,  
10-1,1,,172124-61211,, "COVER (F)",1,,1,,N,,M21300,,,,,M20589,,  
11,1,,172124-61220,, "COVER (G)",1,,1,,,,,,,,,,,,,  
11-1,1,,172124-61221,, "COVER (G)",1,,1,,S,,M00704,,,,,M00632,,  
11-2,1,,172124-61222,, "COVER (G)",1,,1,,N,,M00704,,,,,M00632,,  
12,1,,172124-61230,, "COVER (H)",1,,1,,,,,,,,,,,,,  
12-1,1,,172124-61231,, "COVER (H)",1,,1,,N,,M21300,,,,,M20589,,  
13,1,,172124-61240,, "COVER (I)",2,,2,,,,,,,,,,,,,  
14,1,,172124-61250,, "COVER (J)",1,,1,,,,,,,,,,,,,  
15,1,,26013-100202,, "BOLT W/WASHER M10X20",56,,56,,,,,,,,,,,,,  
16,1,,172122-17120,, "PANEL(L), INSTRUMENT",1,,1,,,,,,,,,,,,,  
16-1,1,,172122-17121,, "PANEL(L), INSTRUMENT",1,,1,,N,,M00843,,,,,\*1986.09,,  
16-2,1,,172122-17241,, "PANEL(L) ASSY",1,,1,,R,,\*1988.11,,,,,\*1988.11,,  
17,2,,172122-17130,, "PANEL, INSTRUMENT",1,,1,,,,,,,,,,,,,  
17-1,2,,172122-17131,, "PANEL, INSTRUMENT",1,,1,,S,,M00843,,,,,\*1986.09,,  
18,2,,172122-17140,, "COVER",1,,1,,,,,,,,,,,,,  
18-1,2,,172122-17141,, "COVER",1,,1,,S,,M00843,,,,,\*1986.09,,  
18-2,2,,172122-17251,, "COVER",1,,1,,N,,\*1988.11,,,,,\*1988.11,,  
19,2,,172122-17150,, "HINGE",2,,2,,,,,,,,,,,,,  
19-1,2,,172122-17151,, "HINGE",2,,2,,S,,M00843,,,,,\*1986.09,,  
20,2,,172122-17160,, "ROD, STOPPER",1,,1,,,,,,,,,,,,,  
21,2,,22857-300050,, "SCREW 3X 5",8,,8,,,,,,,,,,,,,  
21-1,2,,22867-200080,, "SCREW 2X 8",12,,12,,S,,M00843,,,,,\*1986.09,,  
22,1,,172122-17180,, "PANEL, INSTRUMENT",1,,1,,,,,,,,,,,,,  
23,1,,172122-17190,, "CLIP",2,,2,,,,,,,,,,,,,  
24,1,,172122-61300,, "PANEL (S), COVER",1,,1,,,,,,,,,,,,,  
25,1,,172122-61371,, "STAND (L), PANEL",1,,1,,,,,,,,,,,,,  
25-1,1,,172122-61372,, "STAND (L), PANEL",1,,1,,S,,M10501,,,,,M10501,,  
26,1,,172122-61431,, "STAND (R), PANEL",1,,1,,,,,,,,,,,,,  
27,1,,172122-62851,, "PLATE, PANEL STAND",1,,1,,,,,,,,,,,,,  
28,1,,22137-040000,, "WASHER 4, POLISHED",3,,3,,,,,,,,,,,,,  
29,1,,26013-100202,, "BOLT W/WASHER M10X20",2,,2,,,,,,,,,,,,,  
30,1,,26013-100202,, "BOLT W/WASHER M10X20",4,,4,,,,,,,,,,,,,  
31,1,,26013-100202,, "BOLT W/WASHER M10X20",5,,5,,,,,,,,,,,,,  
32,1,,26013-100202,, "BOLT W/WASHER M10X20",3,,3,,,,,,,,,,,,,  
33,1,,26022-040122,, "SCREW M 4X 12",3,,3,,,,,,,,,,,,,  
34,1,,26557-060302,, "SCREW M 6X 30",3,,3,,,,,,,,,,,,,  
35,1,,933171-23680,, "BUSH 14X15",2,,2,,,,,,,,,,,,,  
36,1,,194145-61560,, "RUBBER, CUSHION",2,,2,,,,,,,,,,,,,  
36-1,1,,172137-65700,, "RUBBER, CUSHION",4,,4,,S,,M/#00794,,,,,M/#00670,,  
37,1,,172124-65100,, "BONNET ASSY",1,,1,,,,,,,,,,,,,  
37-1,1,,172124-65101,, "BONNET ASSY",1,,1,,S,,M/#00794,,,,,M/#00670,,  
38,1,,172734-65260,, "PIN, BONNET LEVER",2,,2,,,,,,,,,,,,,  
39,1,,172734-65270,, "SPRING, CATCH",2,,2,,,,,,,,,,,,,  
40,1,,172124-65450,, "LEVER, LOCK",2,,2,,,,,,,,,,,,,  
41,1,,172124-65480,, "CATCHER",2,,2,,,,,,,,,,,,,  
42,1,,172124-65490,, "PLATE, CATCH",2,,2,,,,,,,,,,,,,  
43,1,,172112-65501,, "PIPE, EXH. EXTENSION",1,,1,,,,,,,,,,,,,  
44,1,,172124-65500,, "SHIM (T=0.8)",2,,2,,Z,,M00501,,,,,M00501,,  
45,1,,172124-65510,, "SHIM (T=1.0)",2,,2,,Z,,M00501,,,,,M00501,,

46,1,,172124-65520,, "SHIM (T=1.6)",2,,,2,,,Z,,,M00501,,,,,M00501,,  
47,1,,172124-65530,, "SPRING, GAS",2,,,2,,,,,  
48,1,,172122-65760,, "SHIM(A), BONNET COVER",4,,,4,,,,,  
49,1,,172124-65800,, "COVER(B)ASSY",1,,,1,,,,,  
49-1,1,,172124-65801,, "COVER (B)ASSY",1,,,1,,,S,,,M/#00794,,,,,M/#00670,,  
49-2,1,,172124-65802,, "COVER B  
COMP.,EVAPR.",1,,,1,,,N,,,\*1988.04,,,,,\*1988.04,,  
50,1,,22137-100000,, "WASHER 10,POLISHED",4,,,4,,,,,  
51,1,,22417-200200,, "COTTER PIN 2.0X20",4,,,4,,,,,  
52,1,,26013-060162,, "BOLT M 6X 16",8,,,8,,,,,  
53,1,,26013-080202,, "BOLT W/WASHER M8X20",4,,,4,,,,,  
54,1,,26013-100202,, "BOLT W/WASHER M10X20",4,,,4,,,,,  
55,1,,26013-100252,, "BOLT W/WASHER M10X25",4,,,4,,,,,  
56,1,,26013-100252,, "BOLT W/WASHER M10X25",6,,,6,,,,,  
56-1,1,,26013-100302,, "BOLT M10X 30",6,,,6,,,N,,,\*1987.03,,,,,\*1987.03,,  
57,1,,22137-100000,, "WASHER 10,POLISHED",6,,,6,,,,,  
57-1,1,,194145-04810,, "WASHER 10",6,,,6,,,N,,,\*1987.03,,,,,\*1987.03,,  
58,1,,22137-080000,, "WASHER 8, POLISHED",4,,,4,,,W,,,\*1986.07,,,,,\*1986.07,,  
59,1,,172132-61100,, "COVER (A)",,,,1,,,1,,,1,,,,,  
60,1,,172132-61150,, "COVER (C)",,,,1,,,1,,,1,,,,,

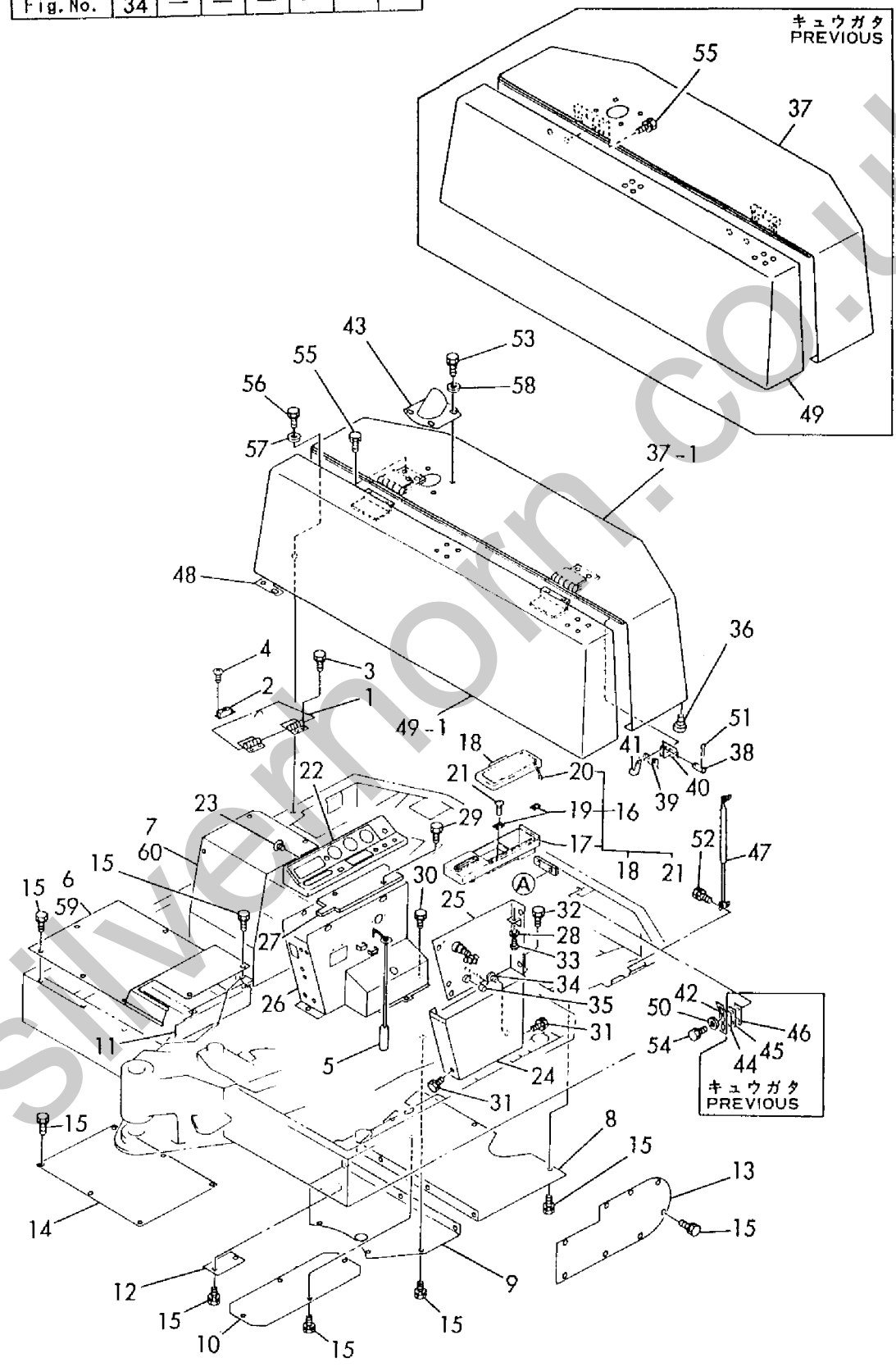




Fig. **34** ボンネット(キャノピ)  
 BONNET (CANOPY SPEC.)

SPEC. CODE  
 D72124-05300  
 D72124-58800  
 D72124-61111  
 D72132-61120  
 D72132-61130  
 D72124-63110  
 D72124-65111

COUNTRY	J	P	N	S	W	G	F	A	D	M	N	L
Fig. No.	34	-	-	-	-	-	-	-	-	-	-	-



1,1,,172124-05300,, "COVER, TOOL",,1,,1,,,,,,,,,,,,,  
1-1,1,,172124-05301,, "COVER, TOOL",,1,,1,S,,,,,M20501,,,,,M20501  
2,1,,172124-05330,, "CATCH, MAGNET",,1,,1,,,,,,,,,,,,,  
3,1,,26013-100202,, "BOLT W/WASHER M10X20",,4,,4,,,,,,,,,,,,,  
4,1,,26023-030082,, "SCREW M 3X 8",,2,,2,,,,,,,,,,,,,  
5,1,,172124-58800,, "PIN, TURNING LOCK",,1,,1,,,,,,,,,,,,,  
6,1,,172124-61100,, "COVER (A)ASSY",,1,,1,,,,,,,,,,,,,  
6-1,1,,172124-61101,, "COVER (A)ASSY",,1,,1,S,,,,,M00677,,,,,M00631  
6-2,1,,172124-61102,, "COVER (A)ASSY",,1,,1,N,,,,,M21300,,,,,M20589  
7,1,,172124-61130,, "COVER (B)ASSY",,1,,1,,,,,,,,,,,,,  
8,1,,172124-61260,, "COVER (D)",,1,,1,,,,,,,,,,,,,  
8-1,1,,172124-61261,, "COVER (D)",,1,,1,S,,,,,M20501,,,,,M20501  
9,1,,172124-61200,, "COVER (E)",,1,,1,,,,,,,,,,,,,  
10,1,,172124-61210,, "COVER (F)",,1,,1,,,,,,,,,,,,,  
10-1,1,,172124-61211,, "COVER (F)",,1,,1,N,,,,,M21300,,,,,M20589  
11,1,,172124-61230,, "COVER (H)",,1,,1,,,,,,,,,,,,,  
11-1,1,,172124-61231,, "COVER (H)",,1,,1,N,,,,,M21300,,,,,M20589  
12,1,,172124-61240,, "COVER (I)",,2,,2,,,,,,,,,,,,,  
13,1,,172124-61250,, "COVER (J)",,1,,1,,,,,,,,,,,,,  
14,1,,26013-100202,, "BOLT W/WASHER M10X20",,55,,55,,,,,,,,,,,,,  
15,1,,172122-17110,, "PANEL, INSTRUMENT",,1,,1,,,,,,,,,,,,,  
16,1,,172122-17120,, "PANEL(L), INSTRUMENT",,1,,1,,,,,,,,,,,,,  
16-1,1,,172122-17121,, "PANEL(L), INSTRUMENT",,1,,1,N,,,,,M00843,,,,,\*1986.09  
16-2,1,,172122-17241,, "PANEL(L) ASSY",,1,,1,R,,,,,\*1988.11,,,,,\*1988.11  
17,2,,172122-17130,, "PANEL, INSTRUMENT",,1,,1,,,,,,,,,,,,,  
17-1,2,,172122-17131,, "PANEL, INSTRUMENT",,1,,1,S,,,,,M00843,,,,,\*1986.09  
18,2,,172122-17140,, "COVER",,1,,1,,,,,,,,,,,,,  
18-1,2,,172122-17141,, "COVER",,1,,1,S,,,,,M00843,,,,,\*1986.09  
18-2,2,,172122-17251,, "COVER",,1,,1,S,,,,,\*1988.11,,,,\*1988.11  
19,2,,172122-17150,, "HINGE",,2,,2,,,,,,,,,,,,,  
19-1,2,,172122-17151,, "HINGE",,2,,2,S,,,,,M00843,,,,,\*1986.09  
20,2,,172122-17160,, "ROD, STOPPER",,1,,1,,,,,,,,,,,,,  
21,2,,22857-300050,, "SCREW 3X 5",,8,,8,,,,,,,,,,,,,  
21-1,2,,22867-200080,, "SCREW 2X 8",,12,,12,S,,,,,M00843,,,,,\*1986.09  
22,1,,172122-17190,, "CLIP",,2,,2,,,,,,,,,,,,,  
23,1,,172122-61300,, "PANEL (S), COVER",,1,,1,,,,,,,,,,,,,  
24,1,,172122-61371,, "STAND (L), PANEL",,1,,1,,,,,,,,,,,,,  
24-1,1,,172122-61372,, "STAND (L), PANEL",,1,,1,S,,,,,M10501,,,,,M10501  
25,1,,172124-63100,, "STAND (R), PANEL",,1,,1,,,,,,,,,,,,,  
26,1,,172122-62851,, "PLATE,PANEL STAND",,1,,1,,,,,,,,,,,,,  
27,1,,22137-040000,, "WASHER 4, POLISHED",,3,,3,,,,,,,,,,,,,  
28,1,,26013-100202,, "BOLT W/WASHER M10X20",,2,,2,,,,,,,,,,,,,  
29,1,,26013-100202,, "BOLT W/WASHER M10X20",,4,,4,,,,,,,,,,,,,  
30,1,,26013-100202,, "BOLT W/WASHER M10X20",,5,,5,,,,,,,,,,,,,  
31,1,,26013-100202,, "BOLT W/WASHER M10X20",,3,,3,,,,,,,,,,,,,  
32,1,,26022-040122,, "SCREW M 4X 12",,3,,3,,,,,,,,,,,,,  
33,1,,26557-060302,, "SCREW M 6X 30",,3,,3,,,,,,,,,,,,,  
34,1,,933113-15100,, "ASHTRAY",,1,,1,,,,,,,,,,,,,  
35,1,,933171-23680,, "BUSH 14X15",,2,,2,,,,,,,,,,,,,  
36,1,,194145-61560,, "RUBBER, CUSHION",,2,,2,,,,,,,,,,,,,  
36-1,1,,172137-65700,, "RUBBER, CUSHION",,4,,4,S,,,,,M/#00794,,,,,M/#00670  
37,1,,172124-65100,, "BONNET ASSY",,1,,1,,,,,,,,,,,,,  
37-1,1,,172124-65101,, "BONNET ASSY",,1,,1,S,,,,,M/#00794,,,,,M/#00670  
38,1,,172734-65260,, "PIN, BONNET LEVER",,2,,2,,,,,,,,,,,,,  
39,1,,172734-65270,, "SPRING, CATCH",,2,,2,,,,,,,,,,,,,  
40,1,,172124-65450,, "LEVER, LOCK",,2,,2,,,,,,,,,,,,,  
41,1,,172124-65480,, "CATCHER",,2,,2,,,,,,,,,,,,,  
42,1,,172124-65490,, "PLATE,CATCH",,2,,2,,,,,,,,,,,,,  
43,1,,172112-65501,, "PIPE,EXH.EXTENSION",,1,,1,,,,,,,,,,,,,  
44,1,,172124-65500,, "SHIM (T=0.8)",,2,,2,Z,,,,,M00501,,,,,M00501  
45,1,,172124-65510,, "SHIM (T=1.0)",,2,,2,Z,,,,,M00501,,,,,M00501  
46,1,,172124-65520,, "SHIM (T=1.6)",,2,,2,Z,,,,,M00501,,,,,M00501  
47,1,,172124-65530,, "SPRING, GAS",,2,,2,,,,,,,,,,,,,

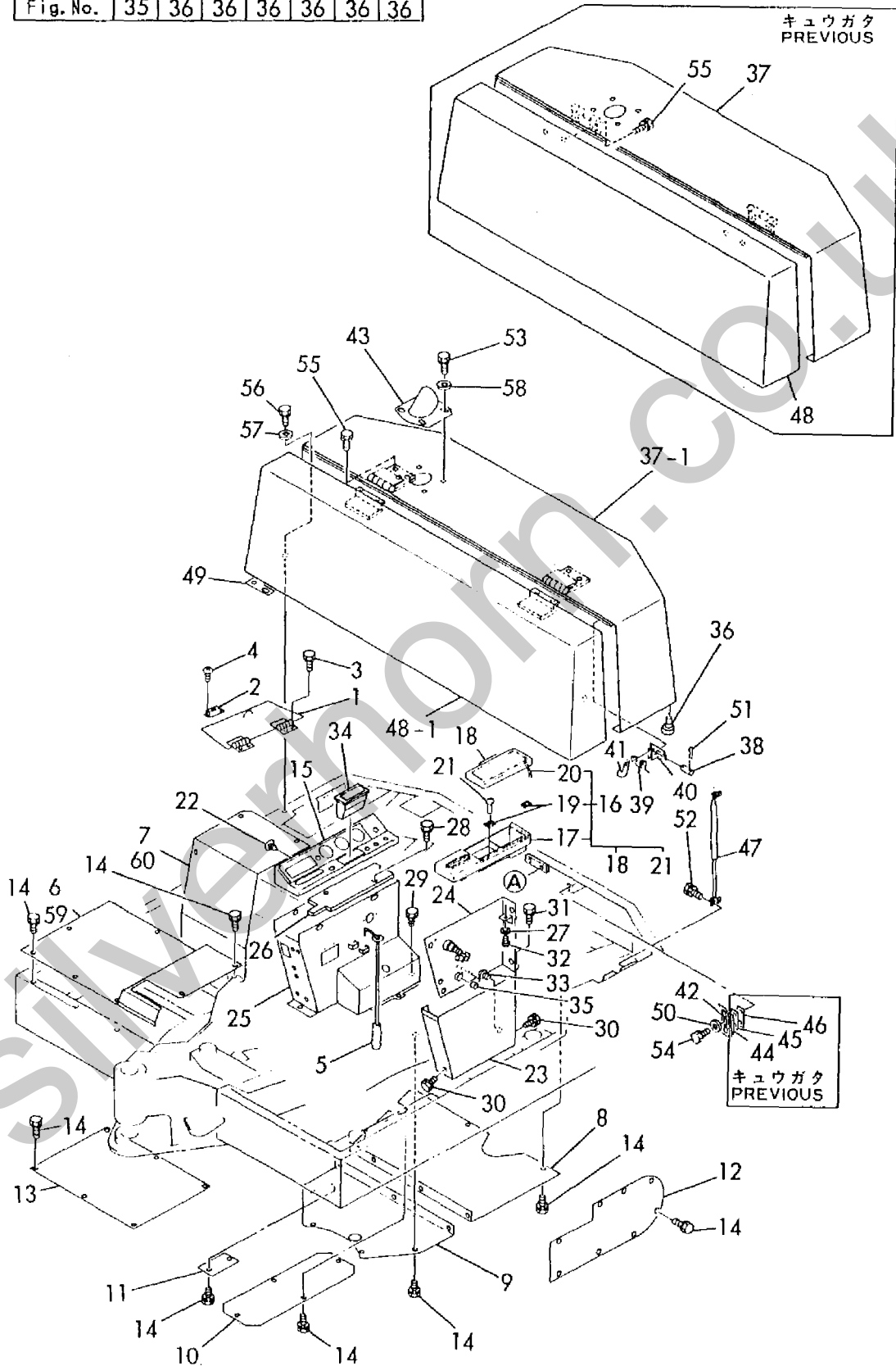
48,1,,172124-65600,,COVER(A)ASSY,,1,,1,,,,,,,,,  
48-1,1,,172124-65601,,COVER,,1,,1,,S,,,,,M/#00794,,,,,M/#00670  
49,1,,172122-65760,, "SHIM(A),BONNET COVER" ,,,4,,4,,,,,,,,,  
50,1,,22137-100000,, "WASHER 10,POLISHED" ,,,4,,4,,,,,,,,,  
51,1,,22417-200200,, "COTTER PIN 2.0X20" ,,,4,,4,,,,,,,,,  
52,1,,26013-060162,, "BOLT M 6X 16" ,,,8,,8,,,,,,,,,  
53,1,,26013-080202,, "BOLT W/WASHER M8X20" ,,,4,,4,,,,,,,,,  
54,1,,26013-100202,, "BOLT W/WASHER M10X20" ,,,4,,4,,,,,,,,,  
55,1,,26013-100252,, "BOLT W/WASHER M10X25" ,,,4,,4,,,,,,,,,  
56,1,,26013-100252,, "BOLT W/WASHER M10X25" ,,,6,,6,,,,,,,,,  
56-1,1,,26013-100302,, "BOLT M10X 30" ,,,6,,6,,N,,,,,\*1987.03,,,,,\*1987.03  
57,1,,22137-100000,, "WASHER 10,POLISHED" ,,,6,,6,,,,,,,,,  
57-1,1,,194145-04810,, "WASHER 10" ,,,6,,6,,N,,,,\*1987.03,,,,\*1987.03  
58,1,,22137-080000,, "WASHER 8, POLISHED" ,,,4,,4,,W,,,,\*1986.07,,,,\*1986.07  
59,1,,172132-61100,, "COVER (A)" ,,,1,,1,,1,,,,,,,,,  
60,1,,172132-61130,, "COVER (B)" ,,,1,,1,,1,,,,,,,,,



Fig. **35** ボンネット(キャビン)  
 BONNET (CABIN SPEC.)

SPEC. CODE  
 D72124-05300  
 D72124-58800  
 D72124-61101  
 D72132-61110  
 D72124-63100  
 D72124-65101

COUNTRY	J	P	N	S	W	W	G	F	A	D	M	N	L
Fig. No.	35	36	36	36	36	36	36	36	36	36	36	36	36



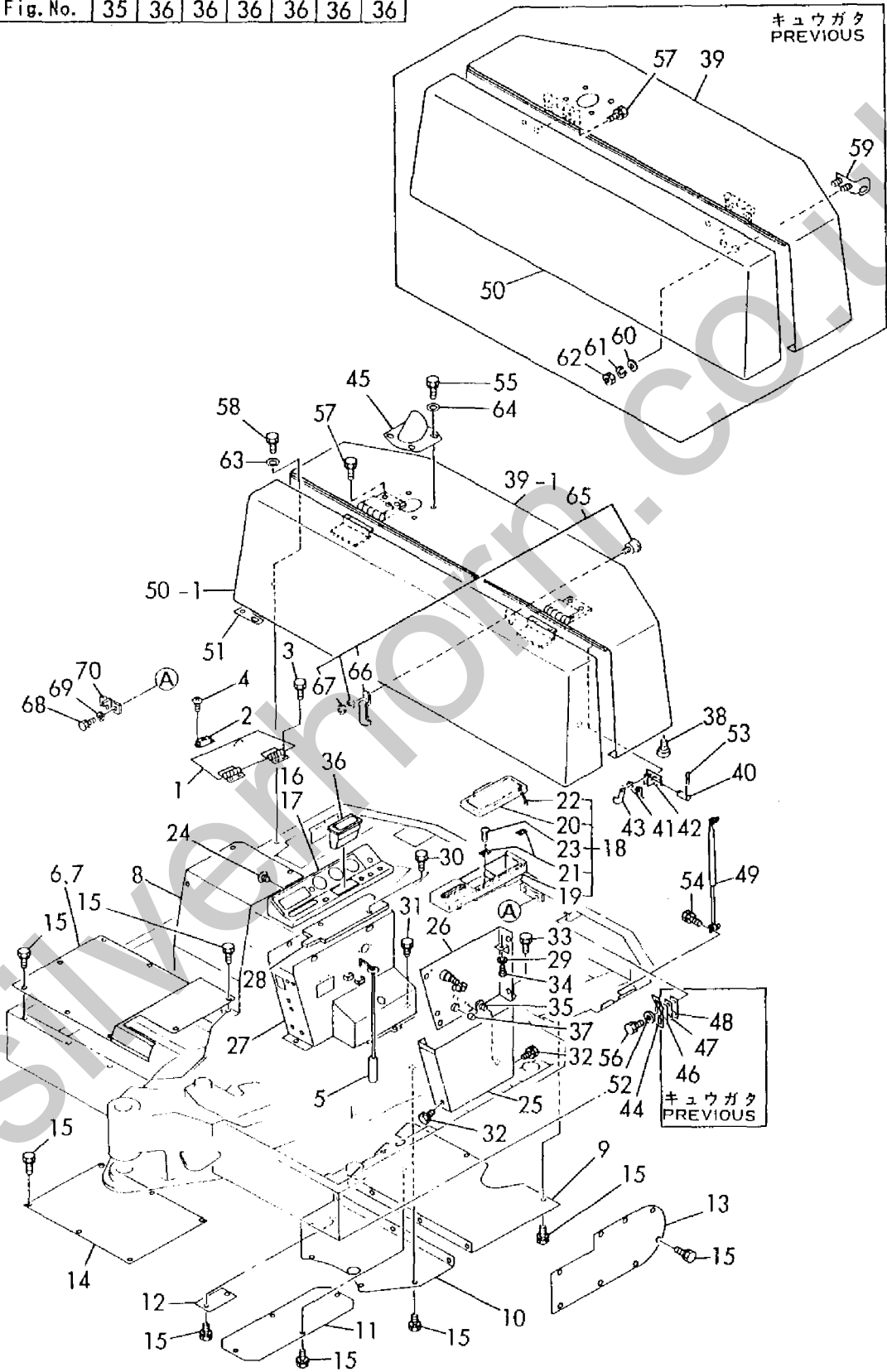
1,1,,172124-05300,, "COVER, TOOL",,1,,1,,,,,,,,,,,,,  
1-1,1,,172124-05301,, "COVER, TOOL",,1,,1,S,,,,,M60501,,,,,M60501  
2,1,,172124-05330,, "CATCH, MAGNET",,1,,1,,,,,,,,,,,,,  
3,1,,26013-100202,, "BOLT W/WASHER M10X20",,4,,4,,,,,,,,,,,,,  
4,1,,26023-030082,, "SCREW M 3X 8",,2,,2,,,,,,,,,,,,,  
5,1,,172124-58800,, "PIN, TURNING LOCK",,1,,1,,,,,,,,,,,,,  
6,1,,172124-61100,, "COVER (A)ASSY",,1,,,,,,,,,,,,,  
6-1,1,,172124-61101,, "COVER (A)ASSY",,1,,,,,S,,,,,M01036,,,,,  
6-2,1,,172124-61102,, "COVER (A)ASSY",,1,,,,,N,,,,,M60557,,,,,  
7,1,,172125-61101,, "COVER (A)ASSY",,1,,1,W,,,,,M00632,,,,,  
8,1,,172124-61130,, "COVER (B)ASSY",,1,,1,,,,,,,,,,,,,  
9,1,,172124-61260,, "COVER (D)",,1,,1,,,,,,,,,,,,,  
9-1,1,,172124-61261,, "COVER (D)",,1,,1,S,,,,,M60501,,,,,M60501  
10,1,,172124-61200,, "COVER (E)",,1,,1,,,,,,,,,,,,,  
11,1,,172124-61210,, "COVER (F)",,1,,1,,,,,,,,,,,,,  
11-1,1,,172124-61211,, "COVER (F)",,1,,1,N,,,,,M60557,,,,,M60557  
12,1,,172124-61230,, "COVER (H)",,1,,1,,,,,,,,,,,,,  
12-1,1,,172124-61231,, "COVER (H)",,1,,,,,N,,,,,M60557,,,,,  
13,1,,172124-61240,, "COVER (I)",,2,,2,,,,,,,,,,,,,  
14,1,,172124-61250,, "COVER (J)",,1,,1,,,,,,,,,,,,,  
15,1,,26013-100202,, "BOLT W/WASHER M10X20",,55,,55,,,,,,,,,,,,,  
16,1,,172122-17200,, "PANEL, INSTRUMENT",,1,,,,,,,,,,,,,  
17,1,,172122-17110,, "PANEL, INSTRUMENT",,1,,,,,,,,,,,,,  
18,1,,172122-17120,, "PANEL(L), INSTRUMENT",,1,,1,,,,,,,,,,,,,  
18-1,1,,172122-17121,, "PANEL(L), INSTRUMENT",,1,,1,N,,,,,M00843,,,,,\*1986.09  
18-2,1,,172122-17241,, "PANEL(L) ASSY",,1,,1,R,,,,,\*1989.01,,,,,\*1989.01  
19,2,,172122-17130,, "PANEL, INSTRUMENT",,1,,1,,,,,,,,,,,,,  
19-1,2,,172122-17131,, "PANEL, INSTRUMENT",,1,,1,S,,,,,M00843,,,,,\*1986.09  
20,2,,172122-17140,, "COVER",,1,,1,,,,,,,,,,,,,  
20-1,2,,172122-17141,, "COVER",,1,,1,S,,,,,M00843,,,,,\*1986.09  
20-2,2,,172122-17251,, "COVER",,1,,1,S,,,,,\*1989.01,,,,,\*1989.01  
21,2,,172122-17150,, "HINGE",,2,,2,,,,,,,,,,,,,  
21-1,2,,172122-17151,, "HINGE",,2,,2,S,,,,,M00843,,,,,\*1986.09  
22,2,,172122-17160,, "ROD, STOPPER",,1,,1,,,,,,,,,,,,,  
23,2,,22857-300050,, "SCREW 3X 5",,8,,8,,,,,,,,,,,,,  
23-1,2,,22867-200080,, "SCREW 2X 8",,12,,12,S,,,,,M00843,,,,,\*1986.09  
24,1,,172122-17190,, "CLIP",,2,,2,,,,,,,,,,,,,  
25,1,,172122-61300,, "PANEL (S), COVER",,1,,1,,,,,,,,,,,,,  
26,1,,172122-61371,, "STAND (L), PANEL",,1,,1,,,,,,,,,,,,,  
26-1,1,,172122-61372,, "STAND (L), PANEL",,1,,1,S,,,,,M50001,,,,,M50001  
27,1,,172124-63100,, "STAND (R), PANEL",,1,,1,,,,,,,,,,,,,  
28,1,,172122-62851,, "PLATE,PANEL STAND",,1,,1,,,,,,,,,,,,,  
29,1,,22137-040000,, "WASHER 4, POLISHED",,3,,3,,,,,,,,,,,,,  
30,1,,26013-100202,, "BOLT W/WASHER M10X20",,2,,2,,,,,,,,,,,,,  
31,1,,26013-100202,, "BOLT W/WASHER M10X20",,4,,4,,,,,,,,,,,,,  
32,1,,26013-100202,, "BOLT W/WASHER M10X20",,5,,5,,,,,,,,,,,,,  
33,1,,26013-100202,, "BOLT W/WASHER M10X20",,3,,3,,,,,,,,,,,,,  
34,1,,26022-040122,, "SCREW M 4X 12",,3,,3,,,,,,,,,,,,,  
35,1,,26557-060302,, "SCREW M 6X 30",,3,,3,,,,,,,,,,,,,  
36,1,,933113-15100,, "ASHTRAY",,1,,1,,,,,,,,,,,,,  
37,1,,933171-23680,, "BUSH 14X15",,2,,2,,,,,,,,,,,,,  
38,1,,194145-61560,, "RUBBER, CUSHION",,2,,2,,,,,,,,,,,,,  
38-1,1,,172137-65700,, "RUBBER, CUSHION",,4,,4,S,,,,,M/#50001,,,,,M/#50001  
39,1,,172124-65100,, "BONNET ASSY",,1,,1,,,,,,,,,,,,,  
39-1,1,,172125-65101,, "EV BONNET",,1,,1,S,,,,,M/#50001,,,,,M/#50001  
39-2,1,,172125-65200,, "BONNET",,1,,1,S,,,,,M60501,,,,,M60501  
40,1,,172734-65260,, "PIN, BONNET LEVER",,2,,2,,,,,,,,,,,,,  
41,1,,172734-65270,, "SPRING, CATCH",,2,,2,,,,,,,,,,,,,  
42,1,,172124-65450,, "LEVER, LOCK",,2,,2,,,,,,,,,,,,,  
43,1,,172124-65480,, "CATCHER",,2,,2,,,,,,,,,,,,,  
44,1,,172124-65490,, "PLATE,CATCH",,2,,2,,,,,,,,,,,,,  
45,1,,172112-65501,, "PIPE,EXH.EXTENSION",,1,,1,,,,,,,,,,,,,  
46,1,,172124-65500,, "SHIM (T=0.8)",,2,,2,Z,,,,,M00501,,,,,M00501



Fig. **36** ボンネット(キャビン)  
 BONNET (CABIN SPEC.)

SPEC. CODE  
 D72124-05300  
 D72124-58800  
 D72124-61101  
 D72124-63100  
 D72124-63120  
 D72125-65101  
 D72125-61121

COUNTRY	J	P	N	S	W	G	F	A	D	M	N	L
Fig. No.	35	36	36	36	36	36	36	36	36	36	36	36



1,1,,172111-16890,, "GROMMET 9",1,,1,,,,,,,,,,,,,  
2,1,,172122-17190,, CLIP,11,,11,,Z,,M00501,,,,,M00501,,  
3,1,,172614-45170,, "SPRING 12",1,,1,,,,,,,,,,,,,  
4,1,,172124-62500,, FLOOR,1,,1,,,,,,,,,,,,,  
5,1,,172124-62150,, "STEP ASSY, REAR",1,,1,,,,,,,,,,,,,  
5-1,1,,172124-62151,, "STEP ASSY, REAR",1,,1,,N,,\*1986.07,,,,,\*1986.07,,  
6,1,,172122-62200,, "STEP (A), FRONT",1,,1,,,,,,,,,,,,,  
7,1,,172124-62200,, SPACER,4,,4,,,,,,,,,,,,,  
8,1,,172122-62250,, "STEP (B), FRONT",1,,1,,,,,,,,,,,,,  
9,1,,172122-62290,, "STEP (C), FRONT",1,,1,,,,,,,,,,,,,  
9-1,1,,172122-62291,, "STEP (C), FRONT",1,,1,,S,,M00957,,,,,M00690,,  
10,1,,172124-62300,, "MAT, FLOOR",1,,1,,Z,,M20501,,,,,M20501,,  
11,1,,172122-62330,, "STEP, CENTER",1,,1,,,,,,,,,,,,,  
11-1,1,,172124-62540,, "STEP, CENTER",1,,1,,N,,M00795,,,,,M00670,,  
11-2,1,,172124-62570,, "STEP, CENTER",1,,1,,N,,M20501,,,,,M20501,,  
12,1,,172122-62470,, "GUARD, PEDAL",1,,1,,,,,,,,,,,,,  
12-1,1,,172122-62471,, "GUARD, PEDAL",1,,1,,S,,M10501,,,,,M10501,,  
13,1,,172112-69740,, "RUBBER, CUSHION",8,,8,,,,,,,,,,,,,  
14,1,,172112-69790,, "PLUG 32X2",1,,1,,Z,,M00501,,,,,M00501,,  
15,1,,172112-69910,, "BOLT M16X105",4,,4,,,,,,,,,,,,,  
16,1,,22117-100000,, "WASHER 10",2,,2,,,,,,,,,,,,,  
17,1,,22217-100000,, "SPRING WASHER 10",1,,1,,,,,,,,,,,,,  
18,1,,22417-250200,, "COTTER PIN 2.5X20",1,,1,,,,,,,,,,,,,  
19,1,,22417-400250,, "COTTER PIN 4.0X25",4,,4,,,,,,,,,,,,,  
20,1,,26013-100202,, "BOLT W/WASHER M10X20",9,,9,,,,,,,,,,,,,  
21,1,,26013-100202,, "BOLT W/WASHER M10X20",4,,4,,,,,,,,,,,,,  
22,1,,26013-100202,, "BOLT W/WASHER M10X20",4,,4,,,,,,,,,,,,,  
23,1,,26013-100202,, "BOLT W/WASHER M10X20",2,,2,,,,,,,,,,,,,  
24,1,,26116-100502,, "BOLT M10X 50 PLATED",1,,1,,,,,,,,,,,,,  
25,1,,26712-100002,, "NUT M10",1,,1,,,,,,,,,,,,,  
26,1,,26837-160002,, "CASTLE NUT M16",4,,4,,,,,,,,,,,,,  
27,1,,933155-11490,, "WASHER 17X50, PIN",4,,4,,,,,,,,,,,,,  
28,1,,933171-18390,, "PIN, FOOT BAR",1,,1,,,,,,,,,,,,,  
29,1,,172124-62140,, "BAR, CROSS",1,,1,,,,,,,,,,,,,  
30,1,,172124-64240,, "SEAT, OPERATOR",1,,1,,,,,,,,,,,,,  
30-1,1,,172124-64241,, "SEAT (B), RECLINING",1,,1,,N,,M20501,,,,,M20501,,  
30-2,1,,172124-64242,, "SEAT(B), RECLINING",1,,1,,N,,\*1989.03,,,,,\*1989.03,,  
31,2,,172116-64130,, "ARM REST",1,,1,,W,,\*1988.03,,,,,\*1988.03,,  
32,2,,172124-64360,, "SEAT BACK",1,,1,,W,,\*1988.03,,,,,\*1988.03,,  
32-1,2,,172124-64361,, "BACK(C), SEAT",1,,1,,N,,\*1989.03,,,,,\*1989.03,,  
33,2,,172124-64370,, "ADJUSTER, RECLINING",1,,1,,W,,\*1988.03,,,,,\*1988.03,,  
34,2,,172124-64380,, "ADJUSTER, LOCK",1,,1,,W,,\*1988.03,,,,,\*1988.03,,  
34-1,2,,172124-64381,, "ADJUSTER, LOCK",1,,1,,N,,\*1989.07,,,,,\*1989.07,,  
35,2,,172124-64390,, "ADJUSTER, SEAT",1,,1,,W,,\*1988.03,,,,,\*1988.03,,  
36,2,,172124-64400,, SPACER,1,,1,,W,,\*1988.03,,,,,\*1988.03,,  
37,2,,172124-64410,, BOLT,1,,1,,W,,\*1988.03,,,,,\*1988.03,,  
38,2,,172124-64420,, "CUSHION, SEAT",1,,1,,W,,\*1988.03,,,,,\*1988.03,,  
38-1,2,,172124-64421,, "CUSHION, SEAT",1,,1,,N,,\*1989.03,,,,,\*1989.03,,  
39,2,,172124-64430,, "SUPPORT, ARMREST",1,,1,,W,,\*1988.03,,,,,\*1988.03,,  
40,2,,172124-64440,, "FRAME, ARMREST",1,,1,,W,,\*1988.03,,,,,\*1988.03,,  
41,2,,172124-64450,, SPACER,1,,1,,W,,\*1988.03,,,,,\*1988.03,,  
42,2,,22137-060000,, "WASHER 6, POLISHED",2,,2,,W,,\*1988.03,,,,,\*1988.03,,  
43,2,,22137-080000,, "WASHER 8, POLISHED",1,,1,,W,,\*1988.03,,,,,\*1988.03,,  
44,2,,22217-080000,, "SPRING WASHER 8",1,,1,,W,,\*1988.03,,,,,\*1988.03,,  
45,2,,26013-080202,, "BOLT W/WASHER M8X20",6,,6,,W,,\*1988.03,,,,,\*1988.03,,  
46,2,,26116-080302,, "BOLT M 8X 30 PLATED",1,,1,,W,,\*1988.03,,,,,\*1988.03,,  
47,2,,26450-080162,, "BOLT M 8X 16",4,,4,,W,,\*1988.03,,,,,\*1988.03,,  
48,2,,26712-060002,, "NUT M 6",2,,2,,W,,\*1988.03,,,,,\*1988.03,,  
49,2,,26712-080002,, "NUT M 8",1,,1,,W,,\*1988.03,,,,,\*1988.03,,  
50,1,,172124-64210,, "MOUNT, SEAT",1,,1,,,,,,,,,,,,,  
51,1,,22217-100000,, "SPRING WASHER 10",4,,4,,,,,,,,,,,,,  
52,1,,26013-100202,, "BOLT W/WASHER M10X20",4,,4,,,,,,,,,,,,,  
53,1,,26732-100002,, "NUT M10",4,,4,,,,,,,,,,,,,

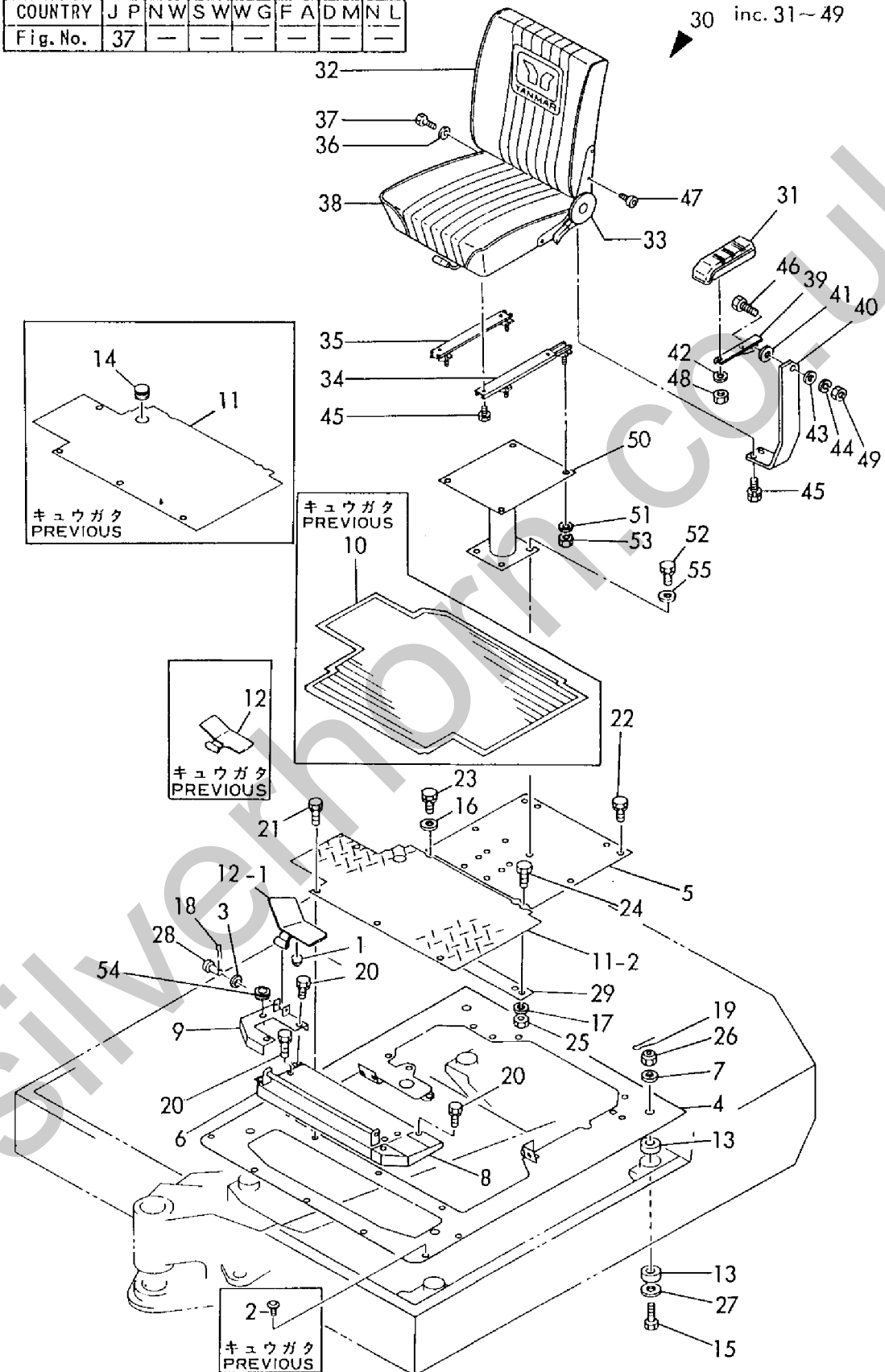


54,1,,933168-56000,, "GROMMET 17X19",1,,,1,,,W,,,\*1986.07,,,,,\*1986.07,,  
55,1,,22137-100000,, "WASHER 10,POLISHED",4,,,4,,,W,,,M21313,,,,,M20596,,

Silverhorn.CO.UK

Fig. **37** シート&ステップ(キャノピ)  
SEAT & STEP (CANOPY SPEC.)

COUNTRY	J	P	N	S	W	G	F	A	D	M	N	L
Fig. No.	37	-	-	-	-	-	-	-	-	-	-	-



1,1,,172111-16890,, "GROMMET 9",,1,,1,,,,,,,,,,,,,  
2,1,,172122-17190,,CLIP,,3,,3,,Z,,,,,M00501,,,,,M00501  
3,1,,172614-45170,, "SPRING 12",,1,,1,,,,,,,,,,,,,  
4,1,,172124-62100,, "FLOOR, FLOAT",,1,,1,,,,,,,,,,,,,  
4-1,1,,172124-62101,, "FLOOR, FLOAT",,1,,1,N,,,,,M20501,,,,,M20501  
5,1,,172124-62150,, "STEP ASSY, REAR",,1,,1,,,,,,,,,,,,,  
5-1,1,,172124-62151,, "STEP ASSY, REAR",,1,,1,N,,,,,\*1986.07,,,,,\*1986.07  
6,1,,172124-62190,, "MAT, FLOOR",,1,,1,,,,,,,,,,,,,  
6-1,1,,172124-62191,, "MAT, FLOOR",,1,,1,N,,,,,\*1986.04,,,,,\*1986.04  
6-2,1,,172125-62190,, "MAT, FLOOR",,1,,1,S,,,,,M20501,,,,,M20501  
7,1,,172122-62200,, "STEP (A), FRONT",,1,,1,,,,,,,,,,,,,  
8,1,,172124-62200,,SPACER,,4,,4,,,,,,,,,,,,,  
9,1,,172122-62250,, "STEP (B), FRONT",,1,,1,,,,,,,,,,,,,  
10,1,,172122-62290,, "STEP (C), FRONT",,1,,1,,,,,,,,,,,,,  
10-1,1,,172122-62291,, "STEP (C), FRONT",,1,,1,S,,,,,M00957,,,,,M00690  
11,1,,172122-62330,, "STEP, CENTER",,1,,1,,,,,,,,,,,,,  
11-1,1,,172124-62540,, "STEP, CENTER",,1,,1,N,,,,,M00795,,,,,M00670  
12,1,,172122-62470,, "GUARD, PEDAL",,1,,1,,,,,,,,,,,,,  
12-1,1,,172122-62471,, "GUARD, PEDAL",,1,,1,S,,,,,M10501,,,,,M10501  
13,1,,172112-69740,, "RUBBER, CUSHION",,8,,8,,,,,,,,,,,,,  
14,1,,172112-69790,, "PLUG 32X2",,1,,1,Z,,,,,M00501,,,,,M00501  
15,1,,172112-69910,, "BOLT M16X105",,4,,4,,,,,,,,,,,,,  
16,1,,22117-100000,, "WASHER 10",,2,,2,,,,,,,,,,,,,  
17,1,,22217-100000,, "SPRING WASHER 10",,1,,1,,,,,,,,,,,,,  
18,1,,22417-250200,, "COTTER PIN 2.5X20",,1,,1,,,,,,,,,,,,,  
19,1,,22417-400250,, "COTTER PIN 4.0X25",,4,,4,,,,,,,,,,,,,  
20,1,,26013-100202,, "BOLT W/WASHER M10X20",,9,,9,,,,,,,,,,,,,  
21,1,,26013-100202,, "BOLT W/WASHER M10X20",,4,,4,,,,,,,,,,,,,  
22,1,,26013-100202,, "BOLT W/WASHER M10X20",,4,,4,,,,,,,,,,,,,  
23,1,,26013-100202,, "BOLT W/WASHER M10X20",,2,,2,,,,,,,,,,,,,  
24,1,,26116-100502,, "BOLT M10X 50 PLATED",,1,,1,,,,,,,,,,,,,  
25,1,,26712-100002,, "NUT M10",,1,,1,,,,,,,,,,,,,  
26,1,,26837-160002,, "CASTLE NUT M16",,4,,4,,,,,,,,,,,,,  
27,1,,933155-11490,, "WASHER 17X50, PIN",,4,,4,,,,,,,,,,,,,  
28,1,,933171-18390,, "PIN, FOOT BAR",,1,,1,,,,,,,,,,,,,  
29,1,,172124-62140,, "BAR, CROSS",,1,,1,,,,,,,,,,,,,  
30,1,,172124-64200,, "SEAT, OPERATOR",,1,,1,,,,,,,,,,,,,  
30-1,1,,172124-64201,, "SEAT, OPERATOR",,1,,1,N,,,,,M00795,,,,,M00670  
31,2,,172124-64350,, "CUSHION, SEAT",,1,,1,W,,,,,\*1988.03,,,,,\*1988.03  
31-1,2,,172124-64351,, "CUSHION, SEAT",,1,,1,N,,,,,\*1989.03,,,,,\*1989.03  
32,2,,172124-64360,, "SEAT BACK",,1,,1,W,,,,,\*1988.03,,,,,\*1988.03  
32-1,2,,172124-64361,, "BACK(C), SEAT",,1,,1,N,,,,,\*1989.03,,,,,\*1989.03  
33,2,,172124-64370,, "ADJUSTER, RECLINING",,1,,1,W,,,,,\*1988.03,,,,,\*1988.03  
34,2,,172124-64380,, "ADJUSTER, LOCK",,1,,1,W,,,,,\*1988.03,,,,,\*1988.03  
34-1,2,,172124-64381,, "ADJUSTER, LOCK",,1,,1,N,,,,,\*1989.07,,,,,\*1989.07  
35,2,,172124-64390,, "ADJUSTER, SEAT",,1,,1,W,,,,,\*1988.03,,,,,\*1988.03  
36,2,,172124-64400,,SPACER,,1,,1,W,,,,,\*1988.03,,,,,\*1988.03  
37,2,,172124-64410,,BOLT,,1,,1,W,,,,,\*1988.03,,,,,\*1988.03  
38,2,,26013-080202,, "BOLT W/WASHER M8X20",,4,,4,W,,,,,\*1988.03,,,,,\*1988.03  
39,2,,26450-080162,, "BOLT M 8X 16",,4,,4,W,,,,,\*1988.03,,,,,\*1988.03  
40,1,,172124-64210,, "MOUNT, SEAT",,1,,1,,,,,,,,,,,,,  
41,1,,22217-100000,, "SPRING WASHER 10",,4,,4,,,,,,,,,,,,,  
42,1,,26013-100202,, "BOLT W/WASHER M10X20",,4,,4,,,,,,,,,,,,,  
43,1,,26732-100002,, "NUT M10",,4,,4,,,,,,,,,,,,,  
44,1,,933168-56000,, "GROMMET 17X19",,1,,1,W,,,,,\*1986.07,,,,,\*1986.07  
45,1,,22137-100000,, "WASHER 10,POLISHED",,4,,4,W,,,,,M21313,,,,,M20596

Fig. **38** シート&ステップ(キャビン)  
SEAT & STEP (CABIN SPEC.)

SPEC. CODE  
D72124-62101  
D72124-64200

COUNTRY	J	P	NW	S	W	G	F	A	D	M	N	L
Fig.No.	38	39	39	39	39	39	39	39	39	39	39	39

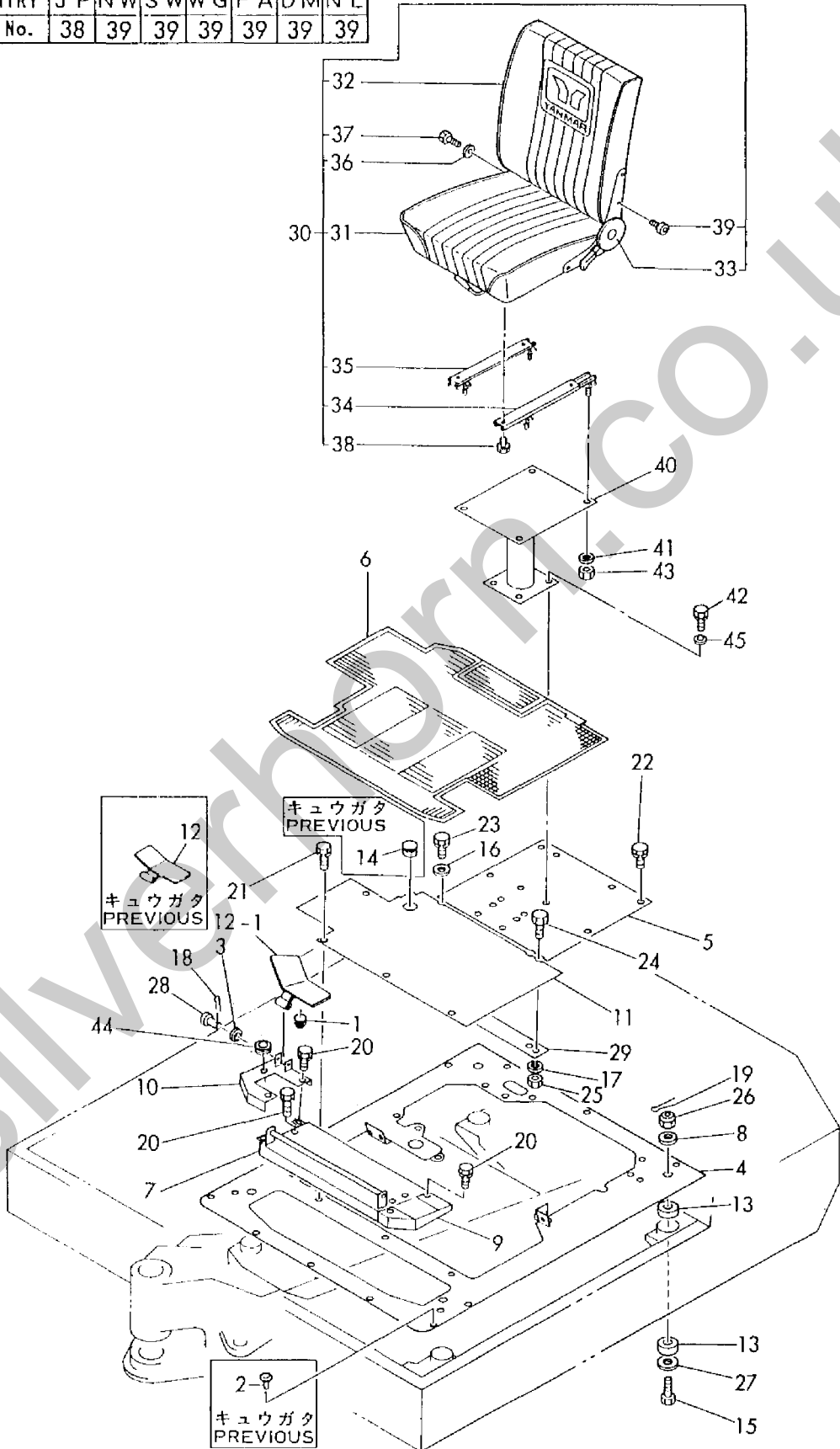
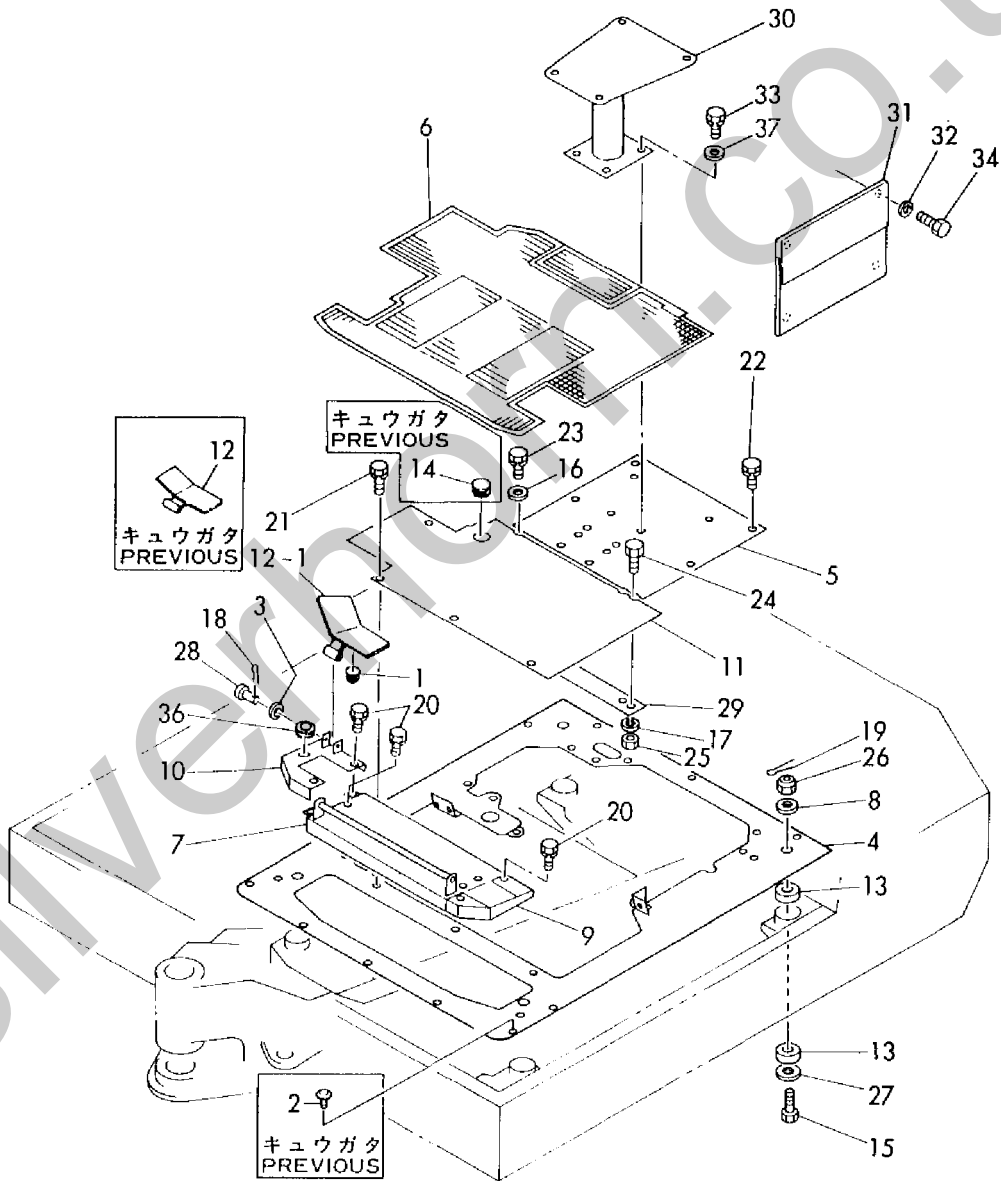
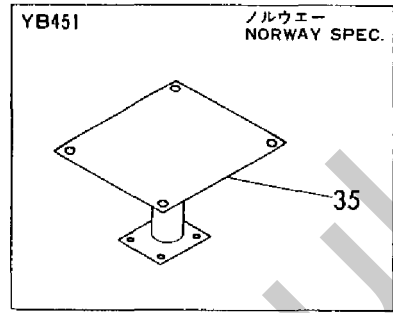




Fig. **39** シートマウント & ステップ (キャビン)  
 SEAT MOUNT & STEP (CABIN SPEC.)

SPEC. CODE  
 D72124-62101  
 D72124-64250  
 D72124-64260

COUNTRY	J	P	N	S	W	G	F	A	M	N	L
Fig.No.	38	39	39	39	39	39	39	39	39	39	39



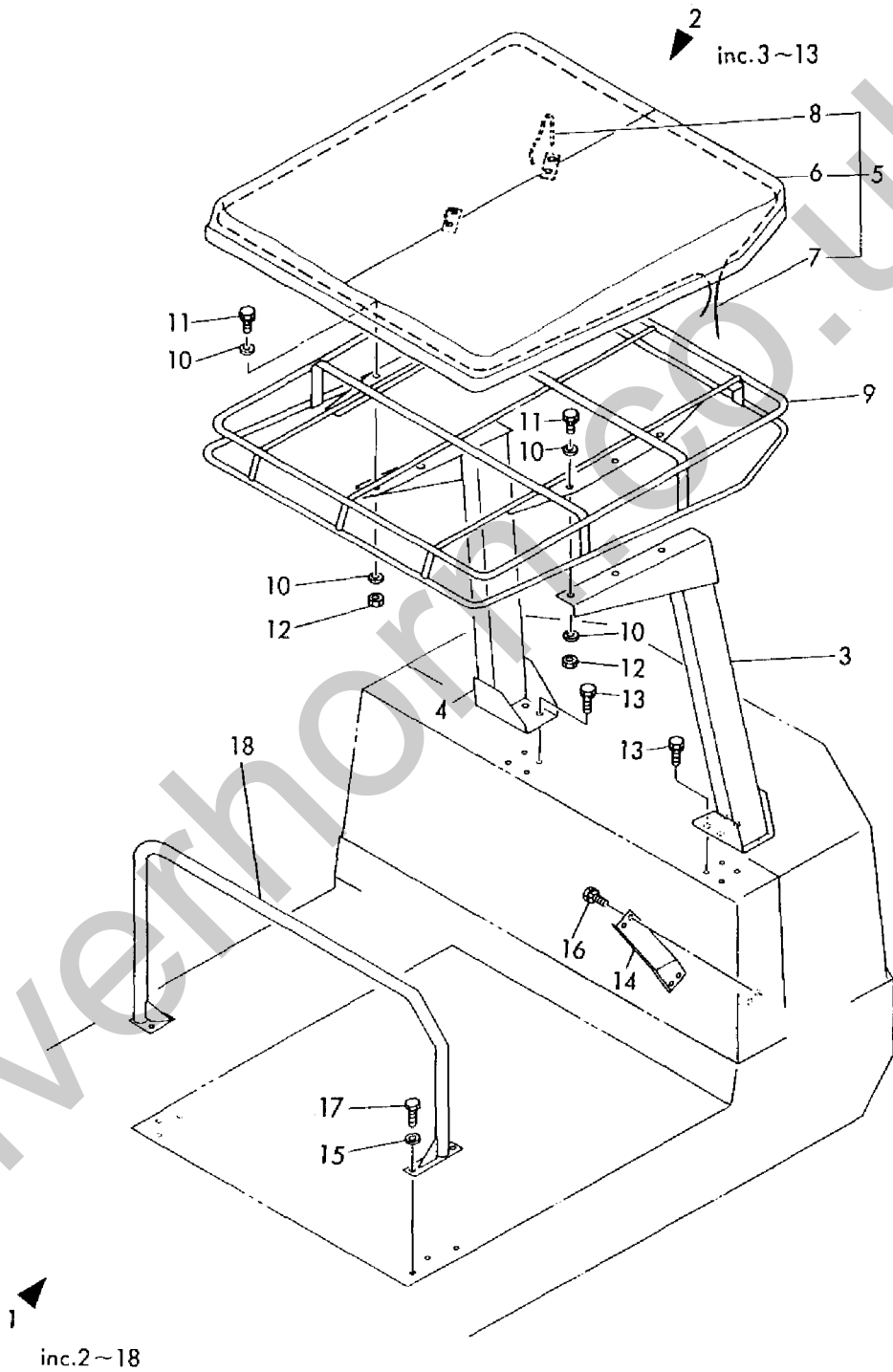
1,1,,772124-68100,, "CANOPY ASSY",1,,1,,,,,,,,,,,,,  
1-1,1,,772124-68101,, "CANOPY ASSY",1,,1,,S,,M00607,,,,,M00579,,  
2,2,,772122-68100,, "CANOPY ASSY",1,,1,,,,,,,,,,,,,  
2-1,2,,772122-68101,, "CANOPY ASSY",1,,1,,S,,M00607,,,,,M00579,,  
3,3,,172122-68100,, "PROP (L), CANOPY",1,,1,,,,,,,,,,,,,  
3-1,3,,172122-68101,, "COLUMN(L), CANOPY",1,,1,,S,,M00607,,,,,M00579,,  
4,3,,172122-68150,, "PROP (R), CANOPY",1,,1,,,,,,,,,,,,,  
4-1,3,,172122-68151,, "PROP (R), CANOPY",1,,1,,S,,M00607,,,,,M00579,,  
5,3,,172122-68200,, "HOOD ASSY",1,,1,,,,,,,,,,,,,  
5-1,3,,172122-68201,, "HOOD ASSY",1,,1,,S,,M00607,,,,,M00579,,  
5-2,3,,172122-68202,, "HOOD ASSY",1,,1,,R,,M00692,,,,,M00631,,  
5-3,3,,172122-68203,, "HOOD ASSY",1,,1,,N,,\*1986.03,,,,,\*1986.03,,  
6,4,,172122-68210,, HOOD,1,,1,,,,,,,,,,,,,  
6-1,4,,172122-68211,, HOOD,1,,1,,S,,M00692,,,,,M00579,,  
6-2,4,,172122-68212,, HOOD,1,,1,,N,,\*1986.03,,,,,\*1986.03,,  
7,4,,172122-68220,, "ROPE (A)",1,,1,,,,,,,,,,,,,  
7-1,4,,172122-68221,, ROPE(A),1,,1,,S,,M00607,,,,,M00579,,  
8,4,,172122-68230,, "ROPE (B)",2,,2,,,,,,,,,,,,,  
9,3,,172122-68300,, "ROOF ASSY, CANOPY",1,,1,,,,,,,,,,,,,  
9-1,3,,172122-68301,, "ROOF, CANOPY",1,,1,,S,,M00607,,,,,M00579,,  
9-2,3,,172122-68302,, "ROOF ASSY, CANOPY",1,,1,,R,,M00692,,,,,M00631,,  
10,3,,22137-120000,, "WASHER 12,POLISHED",12,,12,,,,,,,,,,,,,  
11,3,,26013-120252,, "BOLT M12X 25",6,,6,,,,,,,,,,,,,  
12,3,,26716-120002,, "NUT M12",6,,6,,,,,,,,,,,,,  
13,3,,26013-120302,, "BOLT W/WASHER M12X30",8,,8,,,,,,,,,,,,,  
14,2,,172124-65830,, "SUPPORT,FRONT COVER",1,,1,,,,,,,,,,,,,  
15,2,,22137-100000,, "WASHER 10,POLISHED",4,,4,,,,,,,,,,,,,  
16,2,,26013-100252,, "BOLT W/WASHER M10X25",4,,4,,,,,,,,,,,,,  
17,2,,26013-100252,, "BOLT W/WASHER M10X25",4,,4,,,,,,,,,,,,,  
18,2,,172122-68250,, "CANOPY (F)",1,,1,,,,,,,,,,,,,

Fig. **40** キャノピ(キュウガタ)  
CANOPY (PREVIOUS)

SPEC. CODE  
D72124-68100

COUNTRY	J	P	N	W	S	W	G	F	A	D	M	N	L
Fig. No.	40	—	—	—	—	—	—	—	—	—	—	—	—

UP TO M/#20500





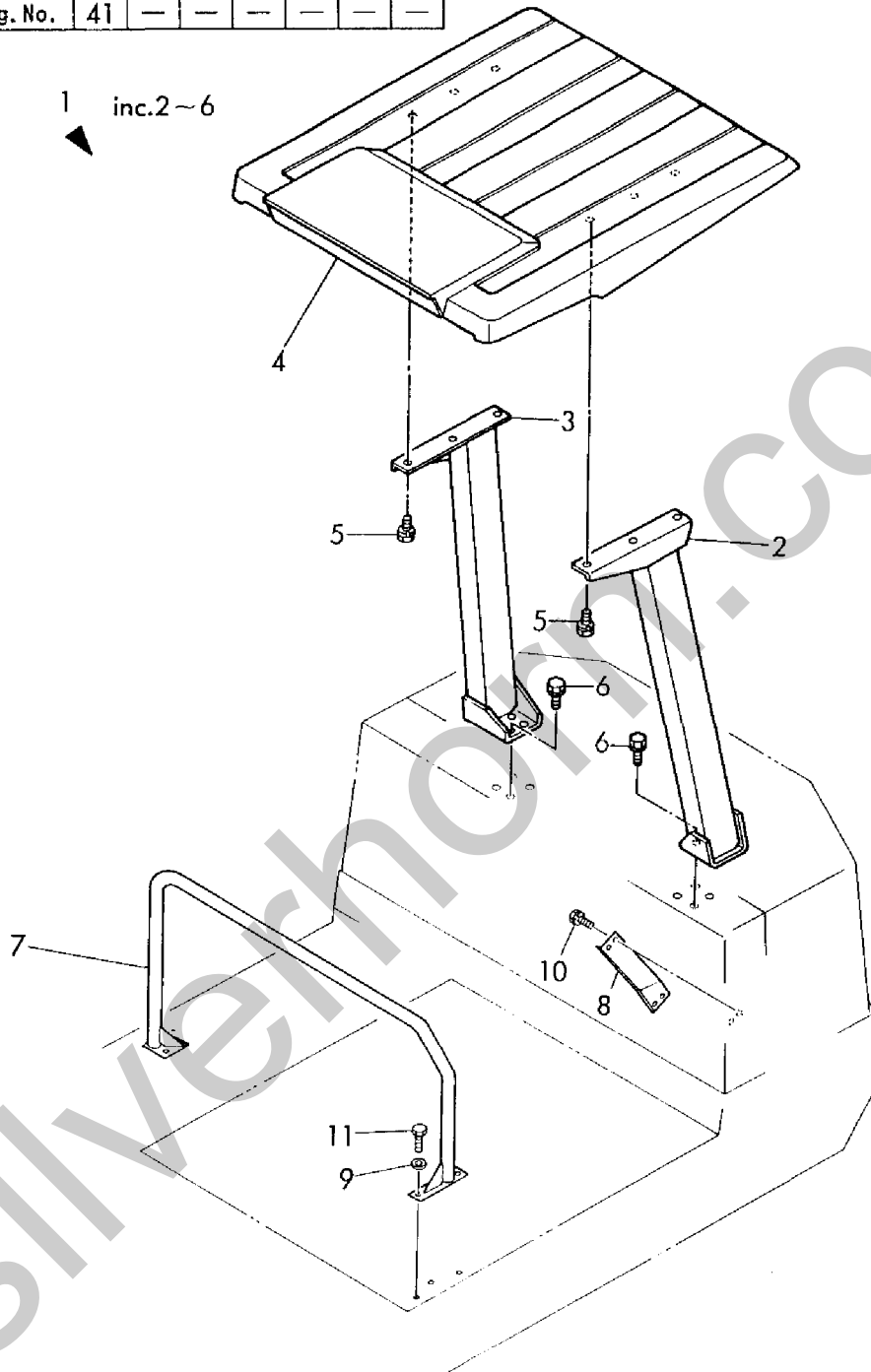
1,1,,772130-68101,, "CANOPY ASSY",1,,1,,,,,,,,,,,,,  
2,2,,172122-68102,, "COLUMN(L), CANOPY",1,,1,,,,,,,,,,,,,  
3,2,,172122-68152,, "COLUMN(R), CANOPY",1,,1,,,,,,,,,,,,,  
4,2,,172134-68200,, "ROOF, CANOPY",1,,1,,,,,,,,,,,,,  
5,2,,26013-120252,, "BOLT M12X 25",6,,6,,,,,,,,,,,,,  
6,2,,26013-120352,, "BOLT M12X 35",8,,8,,,,,,,,,,,,,  
7,1,,172122-68250,, "CANOPY (F)",1,,1,,,,,,,,,,,,,  
8,1,,172124-65830,, "SUPPORT,FRONT COVER",1,,1,,,,,,,,,,,,,  
9,1,,22137-100000,, "WASHER 10,POLISHED",4,,4,,,,,,,,,,,,,  
10,1,,26013-100252,, "BOLT W/WASHER M10X25",4,,4,,,,,,,,,,,,,  
11,1,,26013-100252,, "BOLT W/WASHER M10X25",4,,4,,,,,,,,,,,,,

Silverhorn.CO.UK

Fig. **41** キャノピ(シンガタ)  
CANOPY (NEW TYPE)

SPEC. CODE  
D72124-68100

COUNTRY	J	P	NW	SW	WG	F	A	D	M	N	L	FROM TO M/#20501
Fig. No.	41	-	-	-	-	-	-	-	-	-	-	



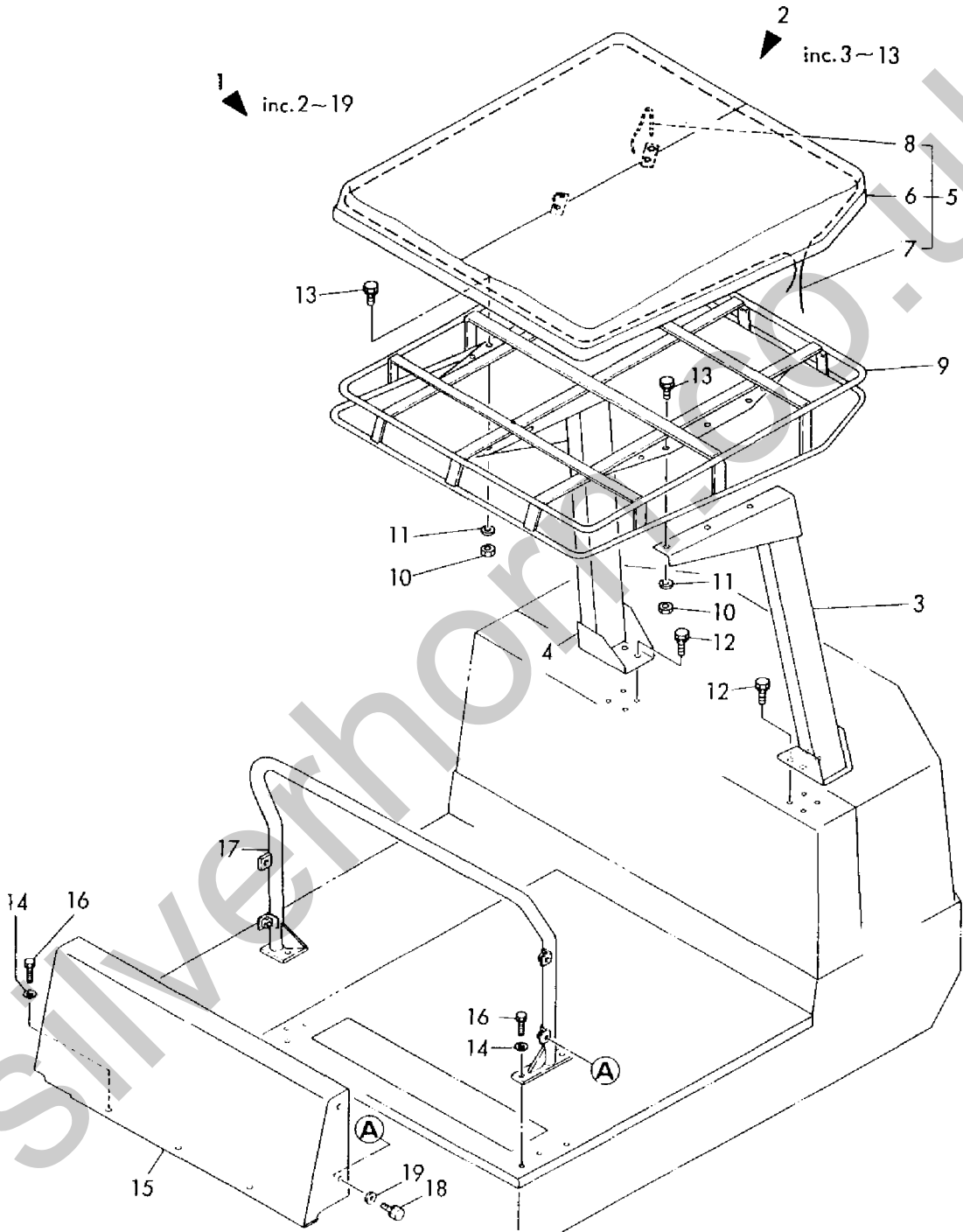
1,1,,772130-68100,, "CANOPY ASSY",1,,1,,,,,,,,,,,,,  
2,2,,772130-68110,, "CANOPY ASSY",1,,1,,,,,,,,,,,,,  
3,3,,172122-68101,, "COLUMN(L),CANOPY",1,,1,,,,,,,,,,,,,  
4,3,,172122-68151,, "PROP (R), CANOPY",1,,1,,,,,,,,,,,,,  
5,3,,172122-68202,, "HOOD ASSY",1,,1,,,,,,,,,,,,,  
5-1,3,,172122-68203,, "HOOD ASSY",1,,1,,N,,,\*1986.03,,,,,\*1986.03,,  
6,4,,172122-68211,, HOOD,1,,1,,,,,,,,,,,,,  
6-1,4,,172122-68212,, HOOD,1,,1,,N,,,\*1986.03,,,,,\*1986.03,,  
7,4,,172122-68221,, ROPE(A),1,,1,,,,,,,,,,,,,  
8,4,,172122-68230,, "ROPE (B)",2,,2,,,,,,,,,,,,,  
9,3,,172122-68302,, "ROOF ASSY, CANOPY",1,,1,,,,,,,,,,,,,  
10,3,,26716-120002,, "NUT M12",6,,6,,,,,,,,,,,,,  
11,3,,22217-120000,, "WASHER 12,SPRING",6,,6,,,,,,,,,,,,,  
12,3,,26013-120302,, "BOLT W/WASHER M12X30",8,,8,,,,,,,,,,,,,  
13,3,,26013-120252,, "BOLT M12X 25",6,,6,,,,,,,,,,,,,  
14,2,,22137-100000,, "WASHER 10,POLISHED",4,,4,,,,,,,,,,,,,  
15,2,,172135-68222,, "COVER, FRONT",1,,1,,,,,,,,,,,,,  
16,2,,26013-100252,, "BOLT W/WASHER M10X25",7,,7,,,,,,,,,,,,,  
17,2,,172135-68202,, "CANOPY (F)",1,,1,,,,,,,,,,,,,  
18,2,,26013-100202,, "BOLT W/WASHER M10X20",4,,4,,,,,,,,,,,,,  
19,2,,22137-100000,, "WASHER 10,POLISHED",7,,7,,,,,,,,,,,,,

Silverhorn.CO.UK

Fig. **42** キャノピ(UZ)(キュウガタ) SPEC. CODE  
 CANOPY (UZ) (PREVIOUS) D72130-68100

COUNTRY	J	P	N	S	W	G	F	A	D	M	N	L
Fig. No.	42	—	—	—	—	—	—	—	—	—	—	—

UP TO M/#20500



1,1,,772130-68101,, "CANOPY ASSY",1,,1,,,,,,,,,,,,,  
1-1,1,,772130-68102,, "CANOPY ASSY",1,,1,,N,,,\*1987.09,,,,,\*1987.09,,  
2,2,,172122-68102,, "COLUMN(L), CANOPY",1,,1,,,,,,,,,,,,,  
2-1,2,,172122-68103,, "COLUMN(L), CANOPY",1,,1,,N,,,\*1987.09,,,,,\*1987.09,,  
3,2,,172122-68152,, "COLUMN(R), CANOPY",1,,1,,,,,,,,,,,,,  
3-1,2,,172122-68153,, "COLUMN(R), CANOPY",1,,1,,N,,,\*1987.09,,,,,\*1987.09,,  
4,2,,172134-68200,, "ROOF, CANOPY",1,,1,,,,,,,,,,,,,  
5,2,,26013-120252,, "BOLT M12X 25",6,,6,,,,,,,,,,,,,  
6,2,,26013-120302,, "BOLT W/WASHER M12X30",8,,8,,,,,,,,,,,,,  
6-1,2,,26013-120352,, "BOLT M12X 35",8,,8,,N,,,\*1988.04,,,,,\*1988.04,,  
7,2,,194630-62360,, GROMMET,2,,2,,W,,\*1987.09,,,,\*1987.09,,  
8,1,,172135-68202,, "CANOPY (F)",1,,1,,,,,,,,,,,,,  
9,1,,172135-68222,, "COVER, FRONT",1,,1,,,,,,,,,,,,,  
10,1,,22137-100000,, "WASHER 10,POLISHED",7,,7,,,,,,,,,,,,,  
11,1,,22137-100000,, "WASHER 10,POLISHED",4,,4,,,,,,,,,,,,,  
12,1,,26013-100202,, "BOLT W/WASHER M10X20",4,,4,,,,,,,,,,,,,  
13,1,,26013-100252,, "BOLT W/WASHER M10X25",7,,7,,,,,,,,,,,,,

Silverhorn.CO.UK

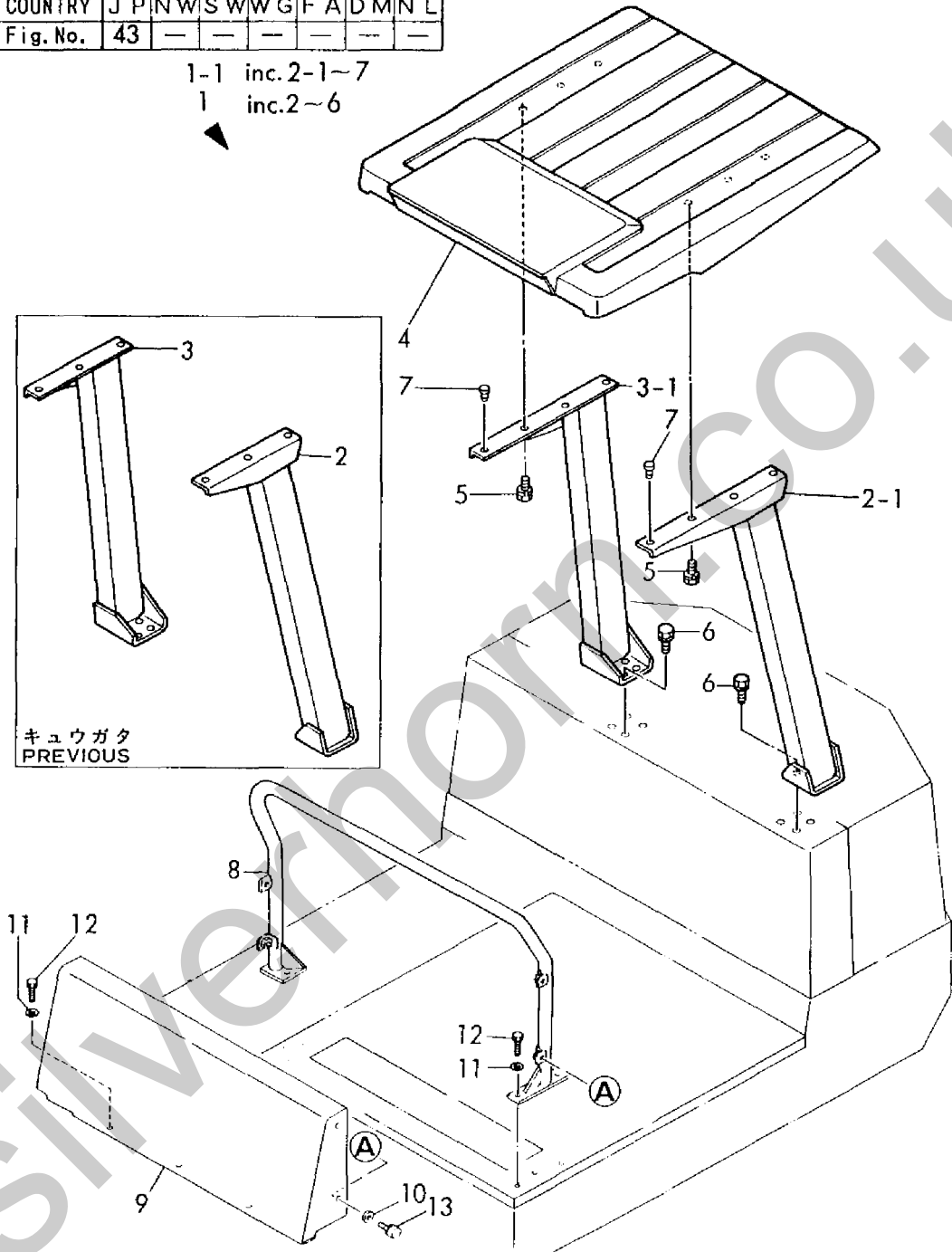
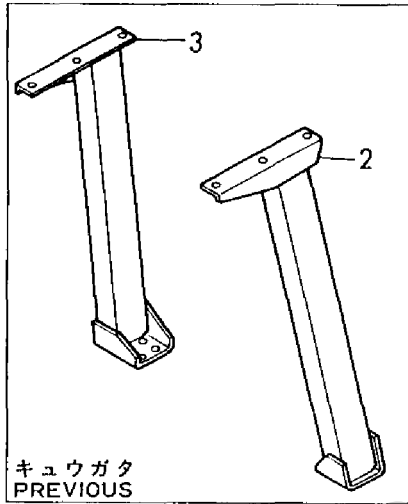
Fig. **43** キャノピ(UZ)(シンガタ)  
CANOPY (UZ) (NEW TYPE)

SPEC. CODE  
D72130-68100

FROM TO M/# 20501

COUNTRY	J	P	N	W	S	W	G	F	A	D	M	N	L
Fig. No.	43	—	—	—	—	—	—	—	—	—	—	—	—

1-1 inc. 2-1~7  
1 inc. 2~6





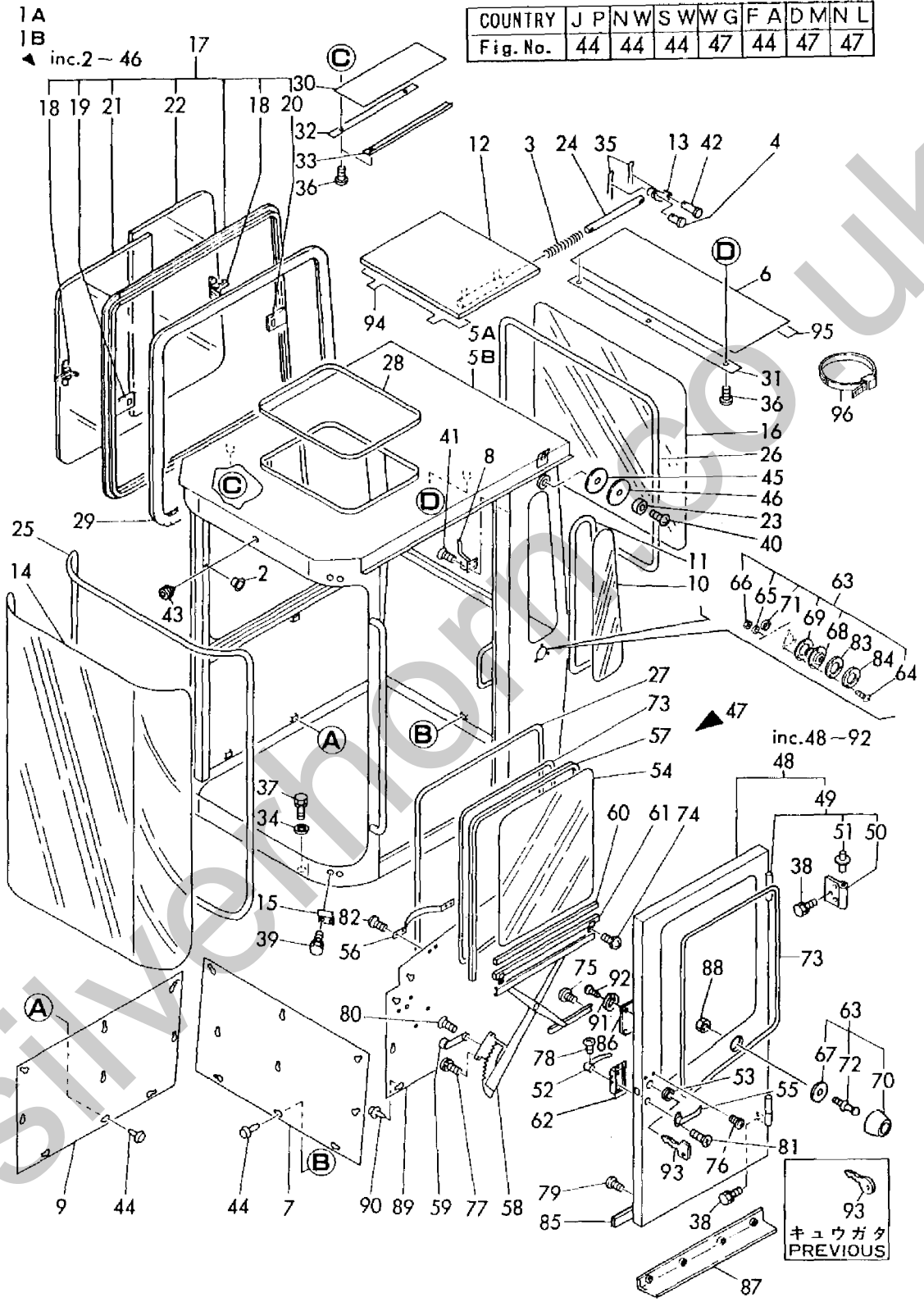
52,2,,172112-69290,, "HANDLE, INNER",,1,1,,1,1,,,,,,,,,,,,,  
53,2,,172112-69300,, "GROMMET 22X2",,1,1,,1,1,,,,,,,,,,,,,  
54,2,,172122-69510,, "GLASS, SIDE DOOR",,1,1,,1,1,,,,,,,,,,,,,  
55,2,,172122-69610,, "OUTER HANDLE",,1,1,,1,1,,,,,,,,,,,,,  
56,2,,172122-69620,, "KNOB, DOOR",,1,1,,1,1,,,,,,,,,,,,,  
57,2,,172122-69670,, "CHANNEL",,1,1,,1,1,,,,,,,,,,,,,  
58,2,,172122-69680,, "REGULATOR",,1,1,,1,1,,,,,,,,,,,,,  
59,2,,172122-69690,, "HANDLE, REGULATOR",,1,1,,1,1,,,,,,,,,,,,,  
60,2,,172122-69700,, "PAD, DOOR GLASS",,1,1,,1,1,,,,,,,,,,,,,  
61,2,,172122-69710,, "CHANNEL, DOOR GLASS",,1,1,,1,1,,,,,,,,,,,,,  
62,2,,172122-69720,, "LOCK(R), DOOR",,1,1,,1,1,,,,,,,,,,,,,  
62-1,2,,172125-68450,, "LOCK,  
DOOR",,1,1,,1,1,S,,,,,M60501,,M20501,,,,,M60501,,M20501  
63,2,,172122-69750,, "CATCH, DOOR",,1,1,,1,1,,,,,,,,,,,,,  
64,3,,26557-050162,, "SCREW M 5X 16",,3,3,,3,3,,,,,,,,,,,,,  
65,3,,22217-050000,, "SPRING WASHER 5",,3,3,,3,3,,,,,,,,,,,,,  
66,3,,26716-050002,, "NUT M 5",,3,3,,3,3,,,,,,,,,,,,,  
67,3,,172122-69280,, "SPACER, CATCH-MALE",,1,1,,1,1,,,,,,,,,,,,,  
68,3,,172117-69640,, "CATCH-FEMALE",,1,1,,1,1,,,,,,,,,,,,,  
69,3,,172117-69650,, "GASKET",,1,1,,1,1,,,,,,,,,,,,,  
70,3,,172117-69660,, "CUSHION",,1,1,,1,1,,,,,,,,,,,,,  
71,3,,172117-69690,, "CAP, KNOB",,1,1,,1,1,,,,,,,,,,,,,  
72,3,,172122-69760,, "CATCH-MALE",,1,1,,1,1,,,,,,,,,,,,,  
73,2,,172122-69900,, "RUBBER, SIDE DOOR",,2,2,,2,2,,,,,,,,,,,,,  
74,2,,26022-060082,, "SCREW M 6X 8",,2,2,,2,2,,,,,,,,,,,,,  
75,2,,26022-060202,, "SCREW M 6X 20",,2,2,,2,2,,,,,,,,,,,,,  
76,2,,26022-060122,, "SCREW M 6X 12",,4,4,,4,4,,,,,,,,,,,,,  
77,2,,26022-060202,, "SCREW M 6X 20",,4,4,,4,4,,,,,,,,,,,,,  
78,2,,26557-040082,, "SCREW M 4X 8",,1,1,,1,1,,,,,,,,,,,,,  
79,2,,26557-050122,, "SCREW M 5X 12",,4,4,,4,4,,,,,,,,,,,,,  
80,2,,26577-050162,, "SCREW M 5X 16",,1,1,,1,1,,,,,,,,,,,,,  
81,2,,26577-050162,, "SCREW M 5X 16",,2,2,,2,2,,,,,,,,,,,,,  
82,2,,26022-050202,, "SCREW M 5X 20",,4,4,,4,4,,,,,,,,,,,,,  
83,2,,172122-69780,, "SHIM(A), DOOR CATCH",,1,1,,1,1,,,,,,,,,,,,,  
84,2,,172122-69790,, "SHIM(B), DOOR CATCH",,1,1,,1,1,,,,,,,,,,,,,  
85,2,,172124-68630,, "SEAL, CAB DOOR",,1,,,,,2,,,,,,,,,,,,,  
86,2,,172122-69290,, "COVER, DOOR LATCH",,1,1,,1,1,,,,,,,,,,,,,  
87,2,,172122-69300,, "UNDAR COVER",,1,1,,1,1,,,,,,,,,,,,,  
88,2,,172122-69770,, "NUT, DOOR CATCH",,1,1,,1,1,,,,,,,,,,,,,  
89,2,,172122-69820,, "PANEL, SIDE DOOR",,1,1,,1,1,,,,,,,,,,,,,  
90,2,,172122-69880,, "CLIP, TRIM",,10,10,,10,10,,,,,,,,,,,,,  
91,2,,22137-050000,, "WASHER 5, POLISHED",,4,4,,4,4,,,,,,,,,,,,,  
92,2,,26557-050122,, "SCREW M 5X 12",,4,4,,4,4,,,,,,,,,,,,,  
93,1,,172112-69310,, "KEY",,2,2,,2,2,,,,,,,,,,,,,  
94,1,,172122-69060,, "ROOF TRIM, FRONT",,,,,,1,W,1,,,,,,M00632  
95,1,,172122-69070,, "ROOF TRIM, REAR",,,,,,1,W,1,,,,,,M00632  
96,1,,933168-55770,, "BAND 146",,,,,,1,W,1,,,,,,M00632



Fig. 44 キャビン  
CABIN

SPEC. CODE  
D72124-68400  
D72122-68430  
D72124-68430

COUNTRY	J	P	N	S	W	G	F	A	D	M	N	L
Fig. No.	44	44	44	44	47	44	44	47	47	47	47	47



1,1,,772124-68700,, "CABIN ASSY, F-OPEN",,1,1,,1,1,,1,,,,,,,,,  
2,2,,172730-27220,, "SPRING 2X12X25",,2,2,,2,2,,,,,,,,,  
3,2,,172112-41960,, "PIN 8X25.5",,4,4,,4,4,,,,,,,,,  
4,2,,172124-68700,, "CABIN,FRONT OPEN",,1,1,,1,1,,,,,,,,,  
5,2,,172119-68590,, "RACK, HAT",,1,1,,1,1,,,,,,,,,  
6,2,,22127-100000,, "WASHER 10",,11,11,,11,11,,,,,,,,,  
7,2,,172122-69400,, "DOOR, ROOF",,1,1,,1,1,,,,,,,,,  
8,2,,172122-69460,, "ARM, ROOF DOOR",,4,4,,4,4,,,,,,,,,  
9,2,,26567-040102,, "SCREW M 4X 10",,4,4,,4,4,,,,,,,,,  
10,2,,933110-53100,, "PIN 8X41.5",,4,4,,4,4,,,,,,,,,  
11,2,,172122-69540,, "GLASS, REAR",,1,1,,1,1,,,,,,,,,  
12,2,,172122-69560,, "WINDOW (R), SASH",,1,1,,1,1,,,,,,,,,  
13,3,,172122-69570,, "GLASS (F), RIGHT",,1,1,,1,1,,,,,,,,,  
14,3,,172122-69580,, "GLASS (RE), RIGHT",,1,1,,1,1,,,,,,,,,  
15,3,,172122-69350,, "LOCK, WINDOW",,2,2,,2,2,,,,,,,,,  
16,3,,172122-69360,, "HOLDER(F), LOCK",,1,1,,1,1,,,,,,,,,  
17,3,,172122-69370,, "HOLDER(R), LOCK",,1,1,,1,1,,,,,,,,,  
18,2,,172117-69600,, "RUBBER, CUSHION",,1,1,,1,1,,,,,,,,,  
19,2,,172122-69600,, "SHAFT (B), ROOF DOOR",,2,2,,2,2,,,,,,,,,  
20,2,,172111-16890,, "GROMMET 9",,1,1,,1,1,,,,,,,,,  
21,2,,172122-69640,, "RUBBER",,1,1,,1,1,,,,,,,,,  
22,2,,172122-69650,, "SEAL, DOOR",,1,1,,1,1,,,,,,,,,  
23,2,,172122-69660,, "RUBBER, ROOF PANEL",,1,1,,1,1,,,,,,,,,  
24,2,,172122-69730,, "RUBBER",,1,1,,1,1,,,,,,,,,  
25,2,,172122-69930,, "RUBBER, CUSHION",,1,1,,1,1,,,,,,,,,  
26,2,,172122-69940,, "RUBBER, CUSHION",,1,1,,1,1,,,,,,,,,  
27,2,,172122-69880,, "CLIP, TRIM",,18,18,,18,18,,,,,,,,,  
28,2,,172124-68590,, "PANEL, SIDE",,1,1,,1,1,,,,,,,,,  
29,2,,172124-68580,, "PANEL, REAR",,1,1,,1,1,,,,,,,,,  
30,2,,172124-68570,, "PANEL (A), ROOF",,1,1,,1,1,,,,,,,,,  
31,2,,172122-69840,, "PANEL (B), ROOF",,2,2,,2,2,,,,,,,,,  
32,2,,172122-69850,, "PLATE (A), KEEP",,2,2,,2,2,,,,,,,,,  
33,2,,172122-69860,, "PLATE (B), KEEP",,2,2,,2,2,,,,,,,,,  
34,2,,172122-69870,, "PLATE (C), KEEP",,2,2,,2,2,,,,,,,,,  
35,2,,22417-200200,, "COTTER PIN 2.0X20",,8,8,,8,8,,,,,,,,,  
36,2,,22857-400100,, "SCREW 4X10",,14,14,,14,14,,,,,,,,,  
37,2,,26013-100202,, "BOLT W/WASHER M10X20",,11,11,,11,11,,,,,,,,,  
38,2,,26013-100202,, "BOLT W/WASHER M10X20",,6,6,,6,6,,,,,,,,,  
39,2,,194264-24190,, "PLUG, SCREW",,1,1,,1,1,,,,,,,,,  
40,2,,26557-060252,, "SCREW M 6X 25",,1,1,,1,1,,,,,,,,,  
41,2,,172122-67290,, "HOLDER, WIPER",,1,1,,1,1,,,,,,,,,  
42,2,,172122-67350,, "WINDOW(F)",,1,1,,1,1,,,,,,,,,  
43,3,,172122-67360,, "FRAME(F), WINDOW",,1,1,,1,1,,,,,,,,,  
44,3,,172122-67370,, "FRONT GLASS(A)",,1,1,,1,1,,,,,,,,,  
45,3,,172122-67380,, "FRONT GLASS(B)",,1,1,,1,1,,,,,,,,,  
46,3,,172122-67390,, "LOCK(L)",,1,1,,1,1,,,,,,,,,  
47,3,,172122-67400,, "LOCK(R)",,1,1,,1,1,,,,,,,,,  
48,3,,172122-67410,, "BRACKET(L), LOCK",,1,1,,1,1,,,,,,,,,  
49,3,,172122-67420,, "BRACKET(R), LOCK",,1,1,,1,1,,,,,,,,,  
50,3,,172122-67430,, "PROTECTOR, DUST",,1,1,,1,1,,,,,,,,,  
51,3,,172122-67440,, "PLATE",,2,2,,2,2,,,,,,,,,  
52,3,,172122-67450,, "CLAMP(L)",,2,2,,2,2,,,,,,,,,  
53,3,,172122-67460,, "CLAMP(R)",,2,2,,2,2,,,,,,,,,  
54,3,,172122-67470,, "GASKET",,4,4,,4,4,,,,,,,,,  
55,3,,172122-67480,, "SPACER",,6,6,,6,6,,,,,,,,,  
56,3,,172122-67530,, "SEAL, VINYL STRIP",,2,2,,2,2,,,,,,,,,  
57,3,,172122-67540,, "BRACKET",,8,8,,8,8,,,,,,,,,  
58,3,,172122-67550,, "PAD, RUBBER",,1,1,,1,1,,,,,,,,,  
59,3,,172122-67560,, "PAD, RUBBER",,1,1,,1,1,,,,,,,,,  
60,3,,172122-67570,, "GASKET",,6,6,,6,6,,,,,,,,,  
61,3,,172122-67580,, "SCREW",,1,1,,1,1,,,,,,,,,  
62,3,,172122-67590,, "SCREW",,1,1,,1,1,,,,,,,,,  
63,3,,172122-67600,, "SCREW",,1,1,,1,1,,,,,,,,,

64,3,,172122-67610,,SCREW,,1,1,,1,1,,,,,,,,,,,,,  
65,3,,172122-67620,,SCREW,,1,1,,1,1,,,,,,,,,,,,,  
66,3,,172122-67630,, "GASKET SET" ,,1,1,,1,1,,,,,,,,,,,,,  
67,2,,172122-67500,,BALANCER(L),,1,1,,1,1,,,,,,,,,,,,,  
68,2,,172122-67510,,BALANCER(R),,1,1,,1,1,,,,,,,,,,,,,  
69,2,,172122-67650,, "NUT M14" ,,1,1,,1,1,,,,,,,,,,,,,  
70,2,,22137-050000,, "WASHER 5,  
POLISHED" ,,26,26,,26,26,Z,,,,,\*1986.03,,\*1986.03,,,,\*1986.03,,\*1986.03  
71,2,,26716-050002,, "NUT M 5" ,,26,26,,26,26,,,,,,,,,,,,,  
71-1,2,,194990-22120,, "NUT W/WASHER  
5" ,,26,26,,26,26,R,,,,,\*1986.03,,\*1986.03,,,,\*1986.03,,\*1986.03  
72,2,,26587-050162,, "SCREW M 5X 16" ,,26,26,,26,26,,,,,,,,,,,,,  
73,2,,172124-68600,, "GLASS, L SIDE" ,,1,1,,1,1,,,,,,,,,,,,,  
74,2,,172124-68610,, "RUBBER, (L), SIDE GLAS" ,,1,1,,1,1,,,,,,,,,,,,,  
75,2,,26116-050162,, "BOLT M 5X 16 PLATED" ,,4,4,,4,4,,,,,,,,,,,,,  
76,2,,22217-050000,, "SPRING WASHER 5" ,,4,4,,4,4,,,,,,,,,,,,,  
77,2,,22137-060000,, "WASHER 6, POLISHED" ,,1,1,,1,1,,,,,,,,,,,,,  
78,1,,772122-69000,, "SIDE DOOR ASSY" ,,1,1,,1,1,,,,,,,,,,,,,  
79,2,,172122-69100,, "DOOR ASSY, SIDE" ,,1,1,,1,1,,,,,,,,,,,,,  
80,3,,172122-69250,,HINGE,,2,2,,2,2,,,,,,,,,,,,,  
81,4,,172122-69380,,HINGE,,2,2,,2,2,,,,,,,,,,,,,  
82,4,,172122-69390,,HINGE,,2,2,,2,2,,,,,,,,,,,,,  
83,2,,172112-69300,, "GROMMET 22X2" ,,1,1,,1,1,,,,,,,,,,,,,  
84,2,,172122-69510,, "GLASS, SIDE DOOR" ,,1,1,,1,1,,,,,,,,,,,,,  
85,2,,172122-69610,, "OUTER HANDLE" ,,1,1,,1,1,,,,,,,,,,,,,  
86,2,,172122-69620,, "KNOB, DOOR" ,,1,1,,1,1,,,,,,,,,,,,,  
87,2,,172122-69670,,CHANNEL,,1,1,,1,1,,,,,,,,,,,,,  
88,2,,172122-69680,,REGULATOR,,1,1,,1,1,,,,,,,,,,,,,  
89,2,,172122-69690,, "HANDLE, REGULATOR" ,,1,1,,1,1,,,,,,,,,,,,,  
90,2,,172122-69700,, "PAD, DOOR GLASS" ,,1,1,,1,1,,,,,,,,,,,,,  
91,2,,172122-69710,, "CHANNEL, DOOR GLASS" ,,1,1,,1,1,,,,,,,,,,,,,  
92,2,,172122-69720,, "LOCK(R), DOOR" ,,1,1,,1,1,,,,,,,,,,,,,  
93,2,,172122-69750,, "CATCH, DOOR" ,,1,1,,1,1,,,,,,,,,,,,,  
94,3,,22217-050000,, "SPRING WASHER 5" ,,3,3,,3,3,,,,,,,,,,,,,  
95,3,,26557-050162,, "SCREW M 5X 16" ,,3,3,,3,3,,,,,,,,,,,,,  
96,3,,26717-050002,, "NUT M 5" ,,3,3,,3,3,,,,,,,,,,,,,  
97,3,,172122-69280,, "SPACER, CATCH-MALE" ,,1,1,,1,1,,,,,,,,,,,,,  
98,3,,172117-69640,,CATCH-FEMALE,,1,1,,1,1,,,,,,,,,,,,,  
99,3,,172117-69650,,GASKET,,1,1,,1,1,,,,,,,,,,,,,  
100,3,,172117-69660,,CUSHION,,1,1,,1,1,,,,,,,,,,,,,  
101,3,,172117-69690,, "CAP, KNOB" ,,1,1,,1,1,,,,,,,,,,,,,  
102,3,,172122-69760,,CATCH-MALE,,1,1,,1,1,,,,,,,,,,,,,  
103,2,,26022-060082,, "SCREW M 6X 8" ,,2,2,,2,2,,,,,,,,,,,,,  
104,2,,26022-060202,, "SCREW M 6X 20" ,,2,2,,2,2,,,,,,,,,,,,,  
105,2,,26022-060122,, "SCREW M 6X 12" ,,4,4,,4,4,,,,,,,,,,,,,  
106,2,,26022-060202,, "SCREW M 6X 20" ,,4,4,,4,4,,,,,,,,,,,,,  
107,2,,26557-040082,, "SCREW M 4X 8" ,,1,1,,1,1,,,,,,,,,,,,,  
108,2,,26557-050122,, "SCREW M 5X 12" ,,4,4,,4,4,,,,,,,,,,,,,  
109,2,,26023-050122,, "SCREW M 5X 12" ,,4,4,,4,4,,,,,,,,,,,,,  
110,2,,26577-050162,, "SCREW M 5X 16" ,,1,1,,1,1,,,,,,,,,,,,,  
111,2,,26577-050162,, "SCREW M 5X 16" ,,2,2,,2,2,,,,,,,,,,,,,  
112,2,,172122-69770,, "NUT, DOOR CATCH" ,,1,1,,1,1,,,,,,,,,,,,,  
113,2,,26557-050202,, "SCREW M 5X 20" ,,4,4,,4,4,,,,,,,,,,,,,  
114,2,,172122-69820,, "PANEL, SIDE DOOR" ,,1,1,,1,1,,,,,,,,,,,,,  
115,2,,172122-69880,, "CLIP, TRIM" ,,10,10,,10,10,,,,,,,,,,,,,  
116,2,,22217-050000,, "SPRING WASHER 5" ,,4,4,,4,4,,,,,,,,,,,,,  
117,2,,172122-69900,, "RUBBER, SIDE DOOR" ,,2,2,,2,2,,,,,,,,,,,,,  
118,2,,22137-050000,, "WASHER 5, POLISHED" ,,4,4,,4,4,,,,,,,,,,,,,  
119,2,,172122-69300,, "UNDAR  
COVER" ,,1,1,,1,1,W,,,,\*1986.02,,\*1986.02,,,,\*1986.02,,\*1986.02  
120,2,,172122-69290,, "COVER, DOOR LATCH" ,,1,1,,1,1,,,,,,,,,,,,,  
121,2,,172112-69290,, "HANDLE, INNER" ,,1,1,,1,1,,,,,,,,,,,,,  
122,2,,172122-69780,, "SHIM(A), DOOR CATCH" ,,1,1,,1,1,,,,,,,,,,,,,

123,2,,172122-69790,, "SHIM(B), DOOR CATCH",,1,1,,1,1,,,,,,,,,  
124,2,,22217-050000,, "SPRING WASHER 5",,4,4,,4,4,,,,,,,,,  
125,1,,172112-69310,, KEY,,2,2,,2,2,,,,,,,,,  
126,1,,172122-69060,, "ROOF TRIM,  
FRONT",,1,1,,1,1,W,,,,,M00632,,M00632,,,,M00632,,M00632  
127,1,,172122-69070,, "ROOF TRIM,  
REAR",,1,1,,1,1,W,,,,,M00632,,M00632,,,,M00632,,M00632  
128,1,,933168-55770,, "BAND 146",,1,1,,1,1,W,,,,,M00632,,M00632,,,,M00632,,M00632

Silverhorn.CO.UK



1,1,,772124-68440,, "CABIN ASSY, FLAT",,1,,1,,,,,,,,,,,,,  
2,2,,172111-16890,, "GROMMET 9",,1,,1,,,,,,,,,,,,,  
3,2,,194150-24270,, "SCREW CAP 13",,1,,1,,,,,,,,,,,,,  
4,2,,194630-28670,, "NUT M 5, PUSH",,4,,4,,,,,,,,,,,,,  
5,2,,172137-46210,, "SCREW",,18,,18,,,,,,,,,,,,,  
6,2,,172137-46210,, "SCREW",,7,,7,,,,,,,,,,,,,  
7,2,,194555-65570,, "MARK (YANMAR)",,1,,1,,,,,,,,,,,,,  
8,2,,172125-68550,, "CABIN ASSY",,1,,1,,,,,,,,,,,,,  
9,2,,172119-68590,, "RACK, HAT",,1,,1,,,,,,,,,,,,,  
10,2,,172135-68820,, "MOUNT, LOCK",,1,,1,,,,,,,,,,,,,  
11,2,,172135-68830,, "CUSHION",,2,,2,,,,,,,,,,,,,  
12,2,,172125-68870,, "GLASS, SIDE",,1,,1,,,,,,,,,,,,,  
13,2,,172125-68880,, "SEAL (C), SIDE",,1,,1,,,,,,,,,,,,,  
14,2,,172125-68900,, "TRIM, SIDE",,1,,1,,,,,,,,,,,,,  
15,2,,172125-68910,, "TRIM, REAR",,1,,1,,,,,,,,,,,,,  
16,2,,172125-68920,, "TRIM, ROOF(B)",,1,,1,,,,,,,,,,,,,  
17,2,,172137-68940,, "PLATE",,1,,1,,,,,,,,,,,,,  
18,2,,172135-69010,, "FRAME (L), GLASS",,1,,1,,,,,,,,,,,,,  
19,2,,172135-69030,, "FRAME (R), GLASS",,1,,1,,,,,,,,,,,,,  
20,2,,172135-69070,, "GASKET, FRAME (L)",,1,,1,,,,,,,,,,,,,  
21,2,,172135-69080,, "GASKET, FRAME (R)",,1,,1,,,,,,,,,,,,,  
22,2,,172135-69140,, "GLASS, FRONT",,1,,1,,,,,,,,,,,,,  
23,2,,172135-69150,, "GLASS, FRONT LOWER",,1,,1,,,,,,,,,,,,,  
24,2,,172135-69190,, "GLASS, REAR",,1,,1,,,,,,,,,,,,,  
25,2,,172135-69200,, "SASH ASSY",,1,,1,,,,,,,,,,,,,  
26,3,,172135-69210,, "GLASS, SASH (A)",,1,,1,,,,,,,,,,,,,  
27,3,,172135-69220,, "GLASS, SASH (B)",,1,,1,,,,,,,,,,,,,  
28,3,,172122-69350,, "LOCK, WINDOW",,2,,2,,,,,,,,,,,,,  
29,3,,172122-69360,, "HOLDER(F), LOCK",,1,,1,,,,,,,,,,,,,  
30,3,,172122-69370,, "HOLDER(R), LOCK",,1,,1,,,,,,,,,,,,,  
31,2,,172137-69260,, "BEARING",,4,,4,,,,,,,,,,,,,  
31-1,2,,24104-062004,, "BALL BEARING",,4,,4,N,,,,,M21203,,,,,M21203  
32,2,,172137-69270,, "LATCH (L)",,1,,1,,,,,,,,,,,,,  
33,2,,172135-69290,, "SEAL (D), REAR",,1,,1,,,,,,,,,,,,,  
34,2,,172135-69300,, "RUBBER (A)",,2,,2,,,,,,,,,,,,,  
35,2,,172135-69320,, "SUPPORT (A L)ASSY",,1,,1,,,,,,,,,,,,,  
36,3,,172135-69340,, "SUPPORT (A L)",,1,,1,,,,,,,,,,,,,  
37,3,,172135-69360,, "RUBBER",,1,,1,,,,,,,,,,,,,  
38,2,,172135-69330,, "SUPPORT (A R)ASSY",,1,,1,,,,,,,,,,,,,  
39,3,,172135-69350,, "SUPPORT (A R)",,1,,1,,,,,,,,,,,,,  
40,3,,172135-69360,, "RUBBER",,1,,1,,,,,,,,,,,,,  
41,2,,172135-69420,, "SEAL, FRONT GLASS",,1,,1,,,,,,,,,,,,,  
42,2,,172135-69480,, "COVER, LIGHT",,1,,1,,,,,,,,,,,,,  
43,2,,172135-69490,, "MOUNT",,2,,2,,,,,,,,,,,,,  
44,2,,172135-69520,, "TRIM, ROOF (A)",,1,,1,,,,,,,,,,,,,  
45,2,,172137-69541,, "SHAFT, ROLLER",,4,,4,,,,,,,,,,,,,  
46,2,,172137-69570,, "LATCH(R)",,1,,1,,,,,,,,,,,,,  
47,2,,172117-69600,, "RUBBER, CUSHION",,1,,1,,,,,,,,,,,,,  
48,2,,172137-69651,, "COLLAR, GLASS",,7,,7,,,,,,,,,,,,,  
49,2,,172137-69840,, "SCREW",,7,,7,,,,,,,,,,,,,  
50,2,,172122-69940,, "RUBBER, CUSHION",,1,,1,,,,,,,,,,,,,  
51,2,,22137-060000,, "WASHER 6, POLISHED",,1,,1,,,,,,,,,,,,,  
52,2,,22137-060000,, "WASHER 6, POLISHED",,4,,4,,,,,,,,,,,,,  
53,2,,22137-060000,, "WASHER 6, POLISHED",,4,,4,,,,,,,,,,,,,  
54,2,,22137-080000,, "WASHER 8, POLISHED",,4,,4,,,,,,,,,,,,,  
55,2,,22137-100000,, "WASHER 10, POLISHED",,10,,10,,,,,,,,,,,,,  
56,2,,22157-080000,, "WASHER 8",,7,,7,,,,,,,,,,,,,  
57,2,,26013-080202,, "BOLT W/WASHER M8X20",,4,,4,,,,,,,,,,,,,  
58,2,,26013-100202,, "BOLT W/WASHER M10X20",,10,,10,,,,,,,,,,,,,  
59,2,,26022-050122,, "SCREW M 5X 12",,12,,12,,,,,,,,,,,,,  
60,2,,26022-060122,, "SCREW M 6X 12",,4,,4,,,,,,,,,,,,,  
61,2,,26022-060122,, "SCREW M 6X 12",,4,,4,,,,,,,,,,,,,  
62,2,,26557-060252,, "SCREW M 6X 25",,1,,1,,,,,,,,,,,,,

63,2,,26567-040102,, "SCREW M 4X 10",,4,,4,,,,,,,,,,,,,  
64,2,,26756-140002,, "LOCK NUT M14 PLATED",,4,,4,,,,,,,,,,,,,  
65,2,,933160-09220,, GROMMET,,4,,4,,,,,,,,,,,,,  
66,2,,172135-69430,, "SEAL, DOOR",,1,,1,,,,,,,,,,,,,  
66A,2,,172135-69700,, RUBBER(A),,2,,2,W,,,,,M20876,,,,,M20574  
66B,2,,172135-69710,, RUBBER(B),,2,,2,W,,,,,M20876,,,,,M20574  
67,1,,772135-68850,, "SIDE DOOR ASSY",,1,,1,,,,,,,,,,,,,  
68,2,,172135-68850,, "DOOR ASSY, SIDE",,1,,1,,,,,,,,,,,,,  
69,3,,172137-69410,, HINGE,,2,,2,,,,,,,,,,,,,  
71,4,,172137-66650,, HINGE(B),,2,,2,,,,,,,,,,,,,  
72,4,,172122-69390,, HINGE,,2,,2,,,,,,,,,,,,,  
73,2,,172135-68950,, "COVER, LATCH",,1,,1,,,,,,,,,,,,,  
74,2,,172135-69160,, "GLASS, SIDE DOOR(A)",,1,,1,,,,,,,,,,,,,  
75,2,,172135-69170,, "GLASS, SIDE DOOR(B)",,1,,1,,,,,,,,,,,,,  
76,2,,172137-69200,, "HANDLE, OUTER",,1,,1,,,,,,,,,,,,,  
77,2,,172137-69210,, "HANDLE, INNER",,1,,1,,,,,,,,,,,,,  
78,2,,172137-69220,, GROMMET,,1,,1,,,,,,,,,,,,,  
79,2,,172135-69260,, "SEAL (A), DOOR",,1,,1,,,,,,,,,,,,,  
80,2,,172135-69270,, "SEAL (B), DOOR",,1,,1,,,,,,,,,,,,,  
81,2,,172122-69620,, "KNOB, DOOR",,1,,1,,,,,,,,,,,,,  
82,2,,172117-69630,, "CATCH ASSY, DOOR",,1,,1,,,,,,,,,,,,,  
83,3,,172117-69640,, CATCH-FEMALE,,1,,1,,,,,,,,,,,,,  
84,3,,172117-69650,, GASKET,,1,,1,,,,,,,,,,,,,  
85,3,,172117-69660,, CUSHION,,1,,1,,,,,,,,,,,,,  
86,3,,172117-69670,, CATCH-MALE,,1,,1,,,,,,,,,,,,,  
87,3,,172117-69680,, WASHER,,1,,1,,,,,,,,,,,,,  
88,3,,172117-69690,, "CAP, KNOB",,1,,1,,,,,,,,,,,,,  
89,3,,22217-050000,, "SPRING WASHER 5",,3,,3,,,,,,,,,,,,,  
90,3,,22217-080000,, "SPRING WASHER 8",,1,,1,,,,,,,,,,,,,  
91,3,,26557-050162,, "SCREW M 5X 16",,3,,3,,,,,,,,,,,,,  
92,3,,26716-050002,, "NUT M 5",,3,,3,,,,,,,,,,,,,  
93,3,,26716-080002,, "NUT M 8",,1,,1,,,,,,,,,,,,,  
94,2,,172112-69790,, "PLUG 32X2",,1,,1,,,,,,,,,,,,,  
95,2,,22137-100000,, "WASHER 10,POLISHED",,4,,4,,,,,,,,,,,,,  
96,2,,26013-100252,, "BOLT W/WASHER M10X25",,4,,4,,,,,,,,,,,,,  
97,2,,26022-050202,, "SCREW M 5X 20",,4,,4,,,,,,,,,,,,,  
98,2,,26022-060122,, "SCREW M 6X 12",,4,,4,,,,,,,,,,,,,  
99,2,,26023-050122,, "SCREW M 5X 12",,5,,5,,,,,,,,,,,,,  
100,2,,26577-050122,, "SCREW M 5X 12",,2,,2,,,,,,,,,,,,,  
101,2,,172137-66230,, GROMMET,,1,,1,,,,,,,,,,,,,  
102,2,,172137-66240,, "LOCK, DOOR",,1,,1,,,,,,,,,,,,,  
103,2,,172122-69780,, "SHIM(A), DOOR CATCH",,1,,1,,,,,,,,,,,,,  
104,2,,172122-69790,, "SHIM(B), DOOR CATCH",,1,,1,,,,,,,,,,,,,  
105,1,,933110-00301,, "KEY ASSY",,1,,1,,,,,,,,,,,,,





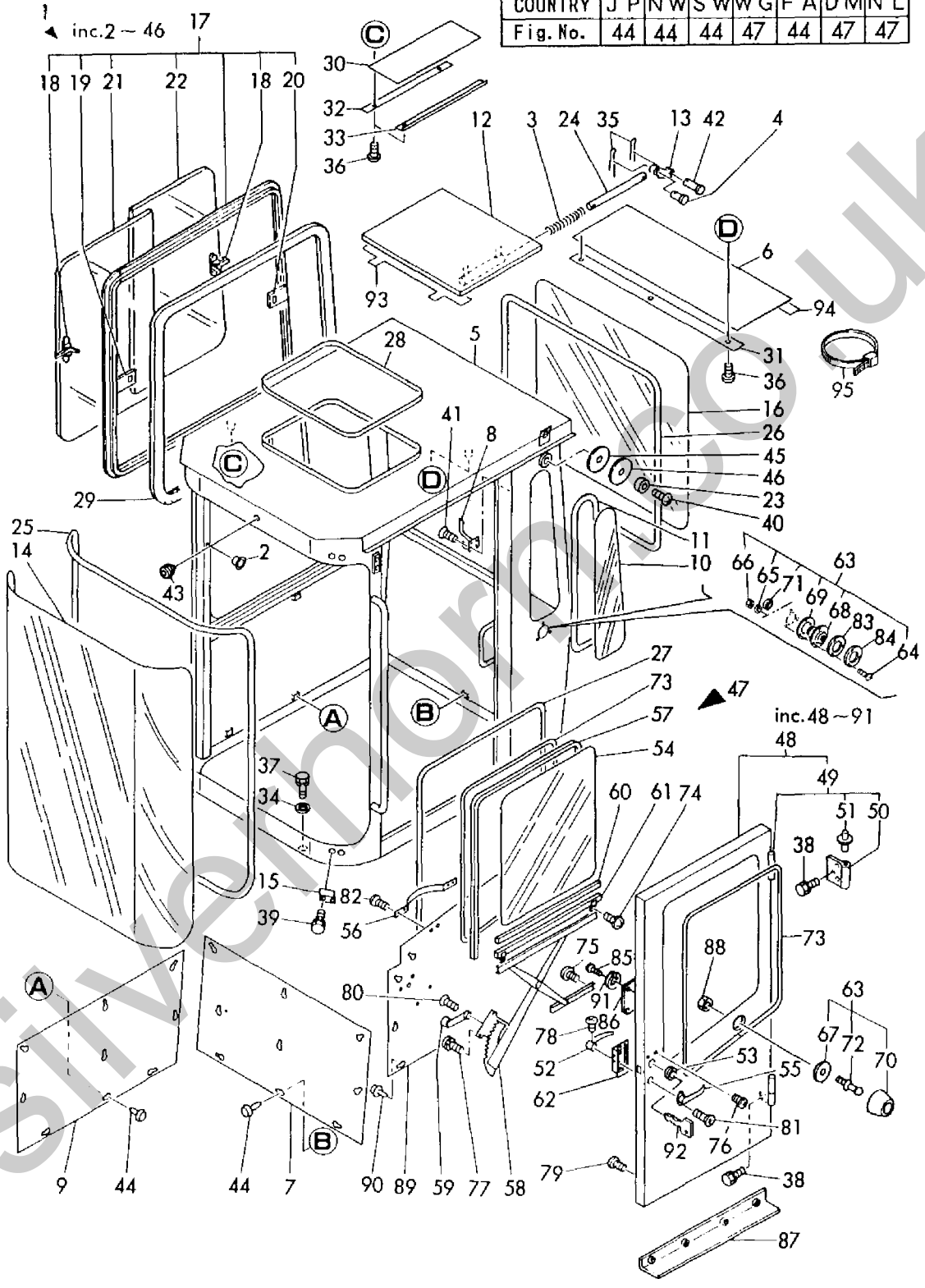


61,2,,172122-69710,, "CHANNEL, DOOR GLASS",,,,,,1,,,,,  
 62,2,,172122-69720,, "LOCK(R), DOOR",,,,,,1,,,,,  
 62-1,2,,172125-68450,, "LOCK, DOOR",,,,,,1,S,,,,,M60501  
 63,2,,172122-69750,, "CATCH, DOOR",,,,,,1,,,,,  
 64,3,,26557-050162,, "SCREW M 5X 16",,,,,,3,,,,,  
 65,3,,22217-050000,, "SPRING WASHER 5",,,,,,3,,,,,  
 66,3,,26716-050002,, "NUT M 5",,,,,,3,,,,,  
 67,3,,172122-69280,, "SPACER, CATCH-MALE",,,,,,1,,,,,  
 68,3,,172117-69640,, "CATCH-FEMALE",,,,,,1,,,,,  
 69,3,,172117-69650,, "GASKET",,,,,,1,,,,,  
 70,3,,172117-69660,, "CUSHION",,,,,,1,,,,,  
 71,3,,172117-69690,, "CAP, KNOB",,,,,,1,,,,,  
 72,3,,172122-69760,, "CATCH-MALE",,,,,,1,,,,,  
 73,2,,172122-69900,, "RUBBER, SIDE DOOR",,,,,,2,,,,,  
 74,2,,26022-060082,, "SCREW M 6X 8",,,,,,2,,,,,  
 75,2,,26022-060202,, "SCREW M 6X 20",,,,,,2,,,,,  
 76,2,,26022-060122,, "SCREW M 6X 12",,,,,,4,,,,,  
 77,2,,26022-060202,, "SCREW M 6X 20",,,,,,4,,,,,  
 78,2,,26557-040082,, "SCREW M 4X 8",,,,,,1,,,,,  
 79,2,,26557-050122,, "SCREW M 5X 12",,,,,,4,,,,,  
 80,2,,26577-050162,, "SCREW M 5X 16",,,,,,1,,,,,  
 81,2,,26577-050162,, "SCREW M 5X 16",,,,,,2,,,,,  
 82,2,,26022-050202,, "SCREW M 5X 20",,,,,,4,,,,,  
 83,2,,172122-69780,, "SHIM(A), DOOR CATCH",,,,,,1,,,,,  
 84,2,,172122-69790,, "SHIM(B), DOOR CATCH",,,,,,1,,,,,  
 85,2,,26557-050122,, "SCREW M 5X 12",,,,,,4,,,,,  
 86,2,,172122-69290,, "COVER, DOOR LATCH",,,,,,1,,,,,  
 87,2,,172122-69300,, "UNDAR COVER",,,,,,1,,,,,  
 88,2,,172122-69770,, "NUT, DOOR CATCH",,,,,,1,,,,,  
 89,2,,172122-69820,, "PANEL, SIDE DOOR",,,,,,1,,,,,  
 90,2,,172122-69880,, "CLIP, TRIM",,,,,,10,,,,,  
 91,2,,22137-050000,, "WASHER 5, POLISHED",,,,,,4,,,,,  
 92,1,,172112-69310,, "KEY",,,,,,2,,,,,  
 93,1,,172122-69060,, "ROOF TRIM, FRONT",,,,,,1,W,,,,,M00632  
 94,1,,172122-69070,, "ROOF TRIM, REAR",,,,,,1,W,,,,,M00632  
 95,1,,933168-55770,, "BAND 146",,,,,,2,W,,,,,M00632

Fig. 47 キャビン CABIN

SPEC. CODE  
D72125-68410  
D72122-68430

COUNTRY	J	P	N	S	W	G	F	A	D	M	N	L
Fig. No.	44	44	44	44	47	44	47	47	47	47	47	47

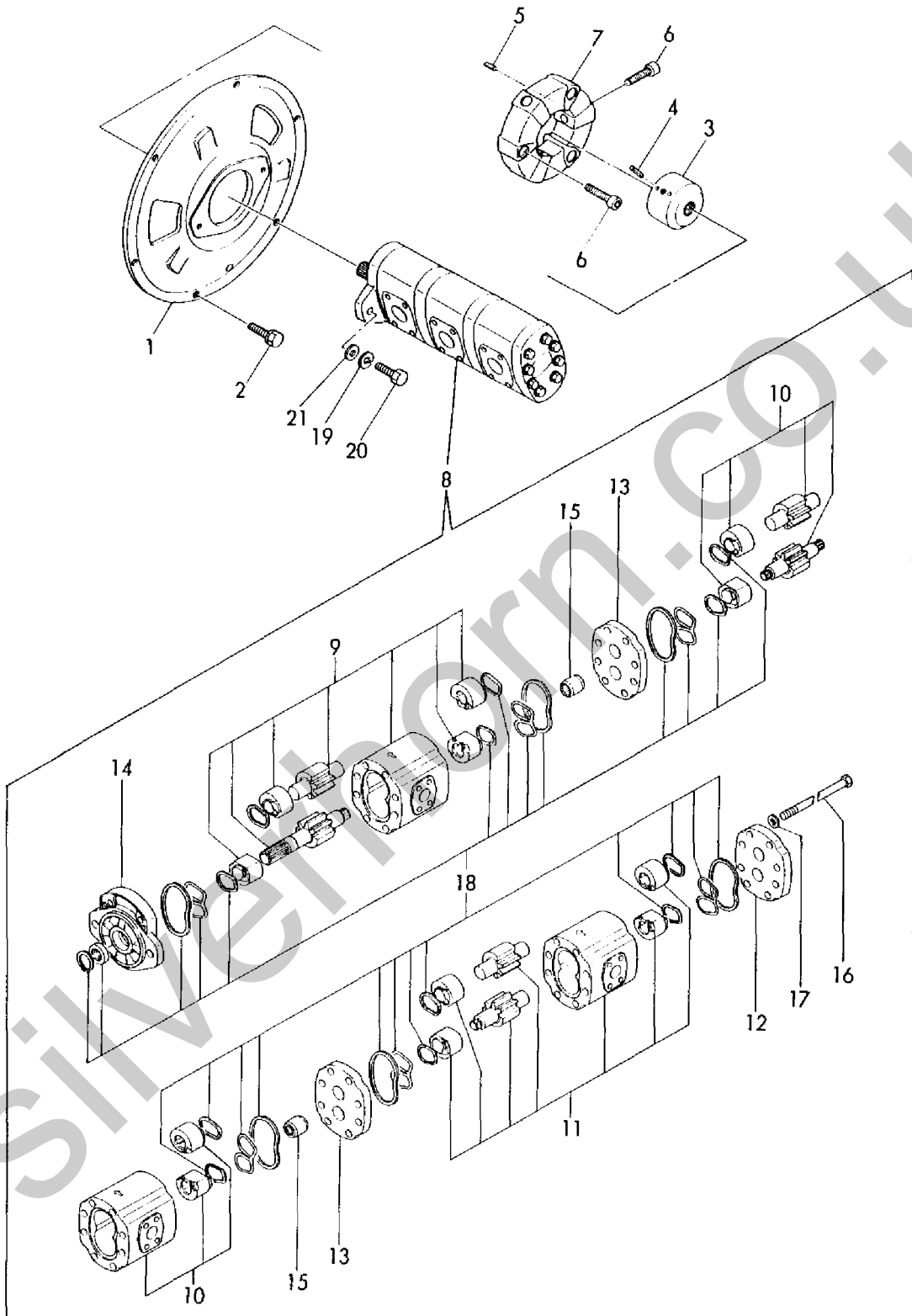


1,1,,172124-71100,, "COVER, FLYWHEEL",1,1,,1,1,,,,,,,,,,,,,  
2,1,,26013-100302,, "BOLT M10X 30",6,6,,6,6,,,,,,,,,,,,,  
2-1,1,,26013-100252,, "BOLT W/WASHER  
M10X25",6,6,,6,6,,N,,, \*1985.07,, \*1985.07,,,, \*1985.07,, \*1985.07  
3,1,,172112-71151,, "JOINT, PUMP SHAFT",1,1,,1,1,,,,,,,,,,,,,  
4,1,,22351-050010,, "SPRING PIN 5X10",6,6,,6,6,,,,,,,,,,,,,  
5,1,,22351-050020,, "SPRING PIN 5X20",3,3,,3,3,,,,,,,,,,,,,  
6,1,,26450-120402,, "BOLT M12X 40",6,6,,6,6,,,,,,,,,,,,,  
7,1,,933171-23101,, "COUPLING CF16",1,1,,1,1,,,,,,,,,,,,,  
8,1,,172124-73100,, "PUMP ASSY, GEAR",1,1,,1,1,,,,,,,,,,,,,  
9,2,,172124-73110,, "PUMP ASSY, FRONT",1,1,,1,1,,,,,,,,,,,,,  
10,2,,172124-73120,, "PUMP ASSY, CENTER",1,1,,1,1,,,,,,,,,,,,,  
11,2,,172124-73130,, "PUMP ASSY, REAR",1,1,,1,1,,,,,,,,,,,,,  
12,2,,172124-73140,, "COVER",1,1,,1,1,,,,,,,,,,,,,  
13,2,,172124-73150,, "PLATE, CENTER",2,2,,2,2,,,,,,,,,,,,,  
14,2,,172124-73160,, "FLANGE, MOUNTING",1,1,,1,1,,,,,,,,,,,,,  
15,2,,172124-73170,, "COUPLING, SPLINE",2,2,,2,2,,,,,,,,,,,,,  
16,2,,172124-73180,, "BOLT",8,8,,8,8,,,,,,,,,,,,,  
16-1,2,,172124-  
73181,, "BOLT",8,8,,8,8,,N,,, \*1985.12,, \*1985.12,,,, \*1985.12,, \*1985.12  
17,2,,172124-73190,, "WASHER",8,8,,8,8,,,,,,,,,,,,,  
17-1,2,,22217-100000,, "SPRING WASHER  
10",8,8,,8,8,,N,,, \*1986.02,, \*1986.02,,,, \*1986.02,, \*1986.02  
18,2,,172124-73200,, "SEAL SET",1,1,,1,1,,,,,,,,,,,,,  
19,1,,22217-120000,, "WASHER 12, SPRING",2,2,,2,2,,,,,,,,,,,,,  
20,1,,26116-120352,, "BOLT M12X 35 PLATED",2,2,,2,2,,,,,,,,,,,,,  
21,1,,22137-120000,, "WASHER 12, POLISHED",2,2,,2,2,,,,,,,,,,,,,



Fig. **48** ポンプ & ジクツギテ  
HYD. OIL PUMP & JOINT

SPEC. CODE  
D72124-71100  
D72124-71200  
D72124-73100

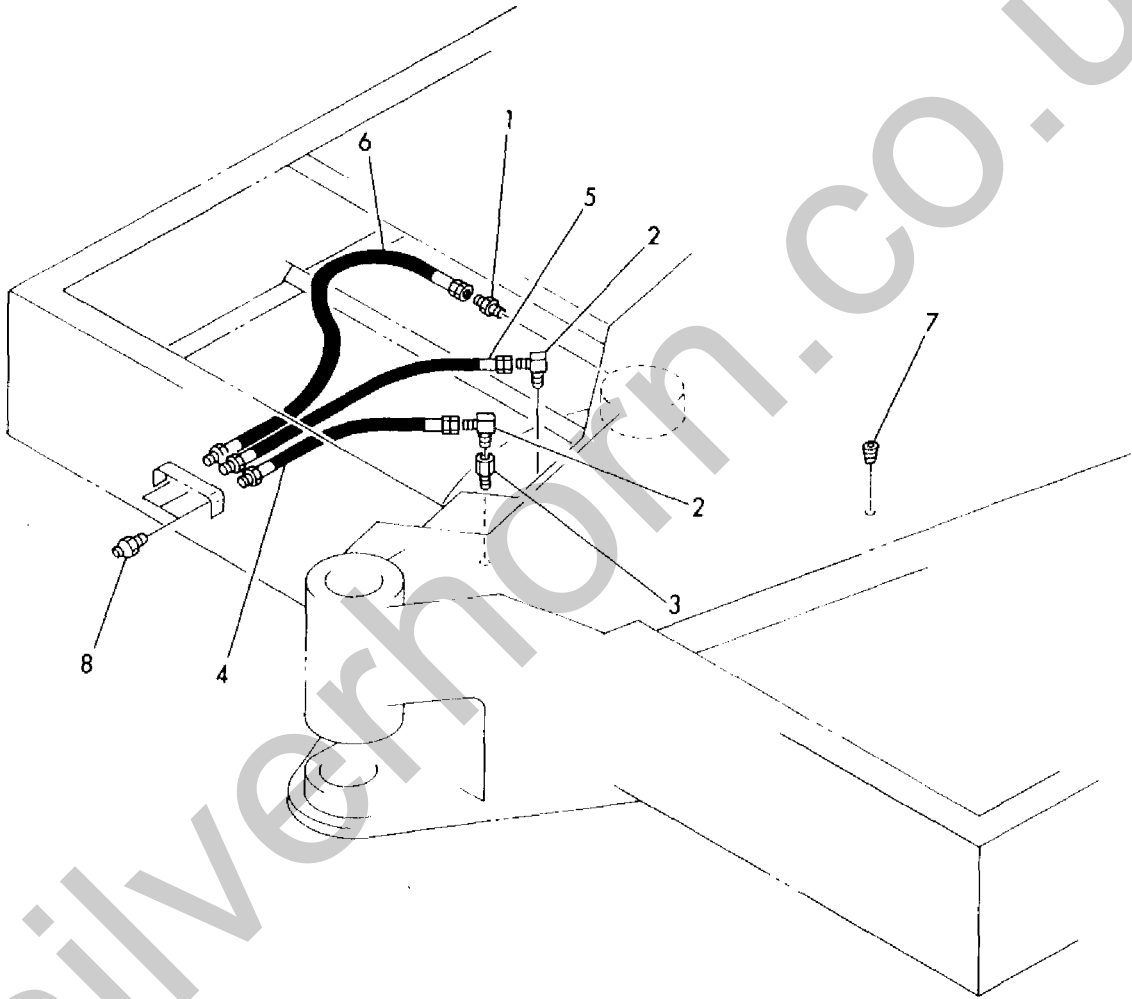


1,1,,172112-77580,, "JOINT 1/8",1,1,,1,1,,,,,,,,,,,,,  
2,1,,172112-77660,, "L-JOINT 1/8",2,2,,2,2,,,,,,,,,,,,,  
3,1,,172312-77820,, "FITTING, GREASE",1,1,,1,1,,,,,,,,,,,,,  
4,1,,172110-78241,, "HOSE, GREASE",1,1,,1,1,,,,,,,,,,,,,  
5,1,,172124-78370,, "PIPE P202AF045",1,1,,1,1,,,,,,,,,,,,,  
6,1,,172122-78400,, "HOSE K502 03",1,1,,1,1,,,,,,,,,,,,,  
7,1,,23871-010000,, "PLUG PT1/8,SCREW",1,1,,1,1,,,,,,,,,,,,,  
8,1,,24761-020000,, "NIPPLE PT1/8,GREASE",3,3,,3,3,,,,,,,,,,,,,

Silverhorn.CO.UK

Fig. **49** エンカクキュウシ  
GREASING

SPEC. CODE  
D72124-77800

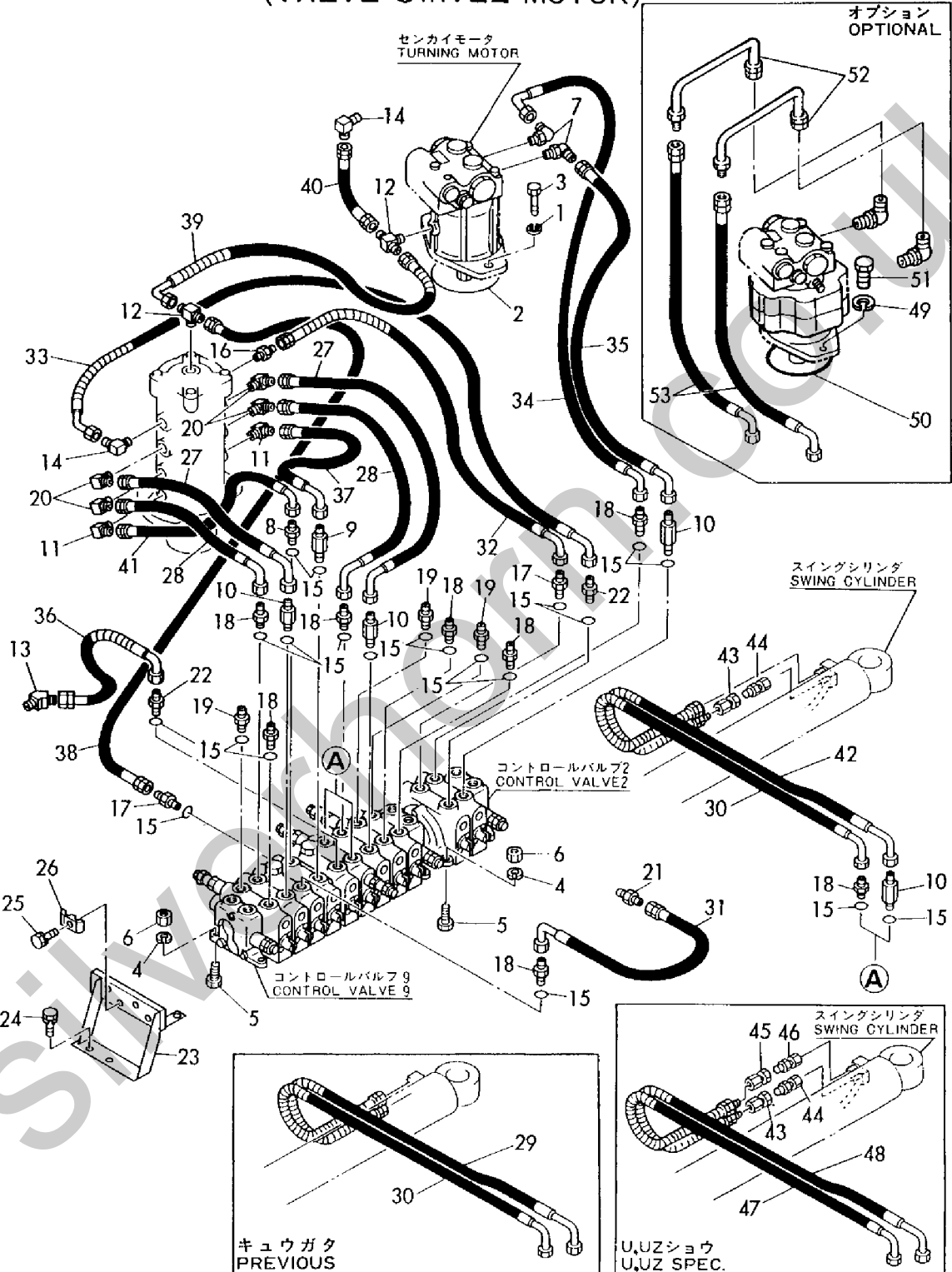


1,1,,22217-140000,, "SPRING WASHER 14",2,2,,2,2,,,,,,,,,,,,,  
2,1,,24321-001100,, "O-RING 1A G-110.0",1,1,,1,1,,,,,,,,,,,,,  
3,1,,26116-140702,, "BOLT M14X 70 PLATED",2,2,,2,2,,,,,,,,,,,,,  
4,1,,22217-100000,, "SPRING WASHER 10",7,7,,7,7,,,,,,,,,,,,,  
5,1,,26013-100302,, "BOLT M10X 30",7,7,,7,7,,,,,,,,,,,,,  
6,1,,26716-100002,, "NUT M10",7,7,,7,7,,,,,,,,,,,,,  
7,1,,172010-11190,,CONNECTOR,2,2,,2,2,,,,,,,,,,,,,  
8,1,,172124-76140,, "NIPPLE 3/4U-PF1/4",1,1,,1,1,,,,,,,,,,,,,  
9,1,,172124-76150,, "NIPPLE 3/4U-PF1/4",1,1,,1,1,,,,,,,,,,,,,  
10,1,,172124-76170,, "NIPPLE 3/4U-PF1/2",4,4,,4,4,,,,,,,,,,,,,  
11,1,,172110-76440,,ELBOW,2,2,,2,2,,,,,,,,,,,,,  
12,1,,172112-77400,,CONNECTOR,2,2,,2,2,,,,,,,,,,,,,  
13,1,,933152-22761,, "ELBOW (45°)",1,1,,1,1,,,,,,,,,,,,,  
14,1,,933152-22771,, "ELBOW (90°)",2,2,,2,2,,,,,,,,,,,,,  
15,1,,933152-24120,, "O-RING (B)",21,21,,21,21,,,,,,,,,,,,,  
16,1,,933152-24410,, "CONNECTOR (A)",1,1,,1,1,,,,,,,,,,,,,  
17,1,,933155-08481,, "CONNECTOR (A)",2,2,,2,2,,,,,,,,,,,,,  
18,1,,933166-24120,, "CONNECTOR PF1/2-10",8,8,,8,8,,,,,,,,,,,,,  
19,1,,933166-24130,, "CONNECTOR PF1/2-35",3,3,,3,3,,,,,,,,,,,,,  
20,1,,933166-25350,, "ELBOW 1/2 (90°)",4,4,,4,4,,,,,,,,,,,,,  
21,1,,933166-25420,,ADAPTER,1,1,,1,1,,,,,,,,,,,,,  
22,1,,933171-24520,, "CONNECTOR 3/8-78",2,2,,2,2,,,,,,,,,,,,,  
23,1,,172124-76800,, "STAY, PIPE",1,1,,1,1,,,,,,,,,,,,,  
23-1,1,,172124-76801,, "STAY,  
PIPE",1,1,,1,1,,S,,M00704,,M00704,,,,M00632,,M00632  
24,1,,26013-100252,, "BOLT W/WASHER M10X25",2,2,,2,2,,,,,,,,,,,,,  
25,1,,26013-100402,, "BOLT M10X 40",3,3,,3,3,,,,,,,,,,,,,  
26,1,,933155-09670,, "CLAMP, PIPE",3,3,,3,3,,,,,,,,,,,,,  
27,1,,172124-78140,, "PIPE P208BC053",2,2,,2,2,,,,,,,,,,,,,  
28,1,,172124-78150,, "PIPE P208BC048S",2,2,,2,2,,,,,,,,,,,,,  
29,1,,172124-78160,, "PIPE  
P208BC120S",1,1,,1,1,,Z,,\*1985.05,,\*1985.05,,,,\*1985.05,,\*1985.05  
30,1,,172124-78170,, "PIPE P208BC113S",1,1,,1,1,,,,,,,,,,,,,  
31,1,,172124-78180,, "PIPE P208BC065",1,1,,1,1,,,,,,,,,,,,,  
32,1,,172124-78190,, "PIPE P206BC060S",1,1,,1,1,,,,,,,,,,,,,  
33,1,,172124-78200,, "PIPE P206CD100S",1,1,,1,1,,,,,,,,,,,,,  
34,1,,172124-78210,, "PIPE P208CC060S",1,1,,1,1,,,,,,,,,,,,,  
35,1,,172124-78220,, "PIPE P208BC045",1,1,,1,1,,,,,,,,,,,,,  
36,1,,172124-78230,, "PIPE P206BC054",1,1,,1,1,,,,,,,,,,,,,  
37,1,,23271-020605,, "PIPE,HI-PRESS 02X60",1,1,,1,1,,,,,,,,,,,,,  
38,1,,172124-78330,, "HOSE G706BE042S",1,1,,1,1,,,,,,,,,,,,,  
39,1,,172124-78340,, "HOSE G706BC070S",1,1,,1,1,,,,,,,,,,,,,  
40,1,,23251-030654,, "PIPE 3X65",1,1,,1,1,,,,,,,,,,,,,  
41,1,,23271-020555,, "PIPE,HI-PRESS 02X55",1,1,,1,1,,,,,,,,,,,,,  
42,1,,172124-78410,, "PIPE  
P208AC120S",1,1,,1,1,,W,,\*1985.05,,\*1985.05,,,,\*1985.05,,\*1985.05  
43,1,,172124-76340,, "VALVE  
3.5ASSY",1,1,,1,1,,W,,\*1985.05,,\*1985.05,,,,\*1985.05,,\*1985.05  
44,1,,23392-040000,,JOINT,1,1,,1,1,,W,,\*1985.05,,\*1985.05,,,,\*1985.05,,\*1985.05  
45,1,,172132-76340,, "VALVE 4.0 COMPL.",1,1,,1,1,,1,,,,,,,,,,,,,  
46,1,,23392-040000,,JOINT,1,1,,1,1,,1,,,,,,,,,,,,,  
47,1,,172132-78160,, "PIPE P208AC128S",1,1,,1,1,,1,,,,,,,,,,,,,  
48,1,,172132-78170,, "PIPE P208AC134S",1,1,,1,1,,1,,,,,,,,,,,,,  
49,1,,22217-140000,, "SPRING WASHER 14",,2,2,,2,2,,,,,,,,,,,,,  
50,1,,24321-001100,, "O-RING 1A G-110.0",,1,1,,1,2,,,,,,,,,,,,,  
51,1,,26116-140702,, "BOLT M14X 70 PLATED",,2,2,,2,2,,,,,,,,,,,,,  
52,1,,172124-76900,, "PIPE, MOTOR",,2,2,,2,2,,,,,,,,,,,,,  
53,1,,172124-78220,, "PIPE P208BC045",,2,2,,2,2,,,,,,,,,,,,,



Fig. 50 ユアツハイカン  
 HYD. OIL PIPING  
 (バルブスイベルモータ)  
 (VALVE-SWIVEL-MOTOR)

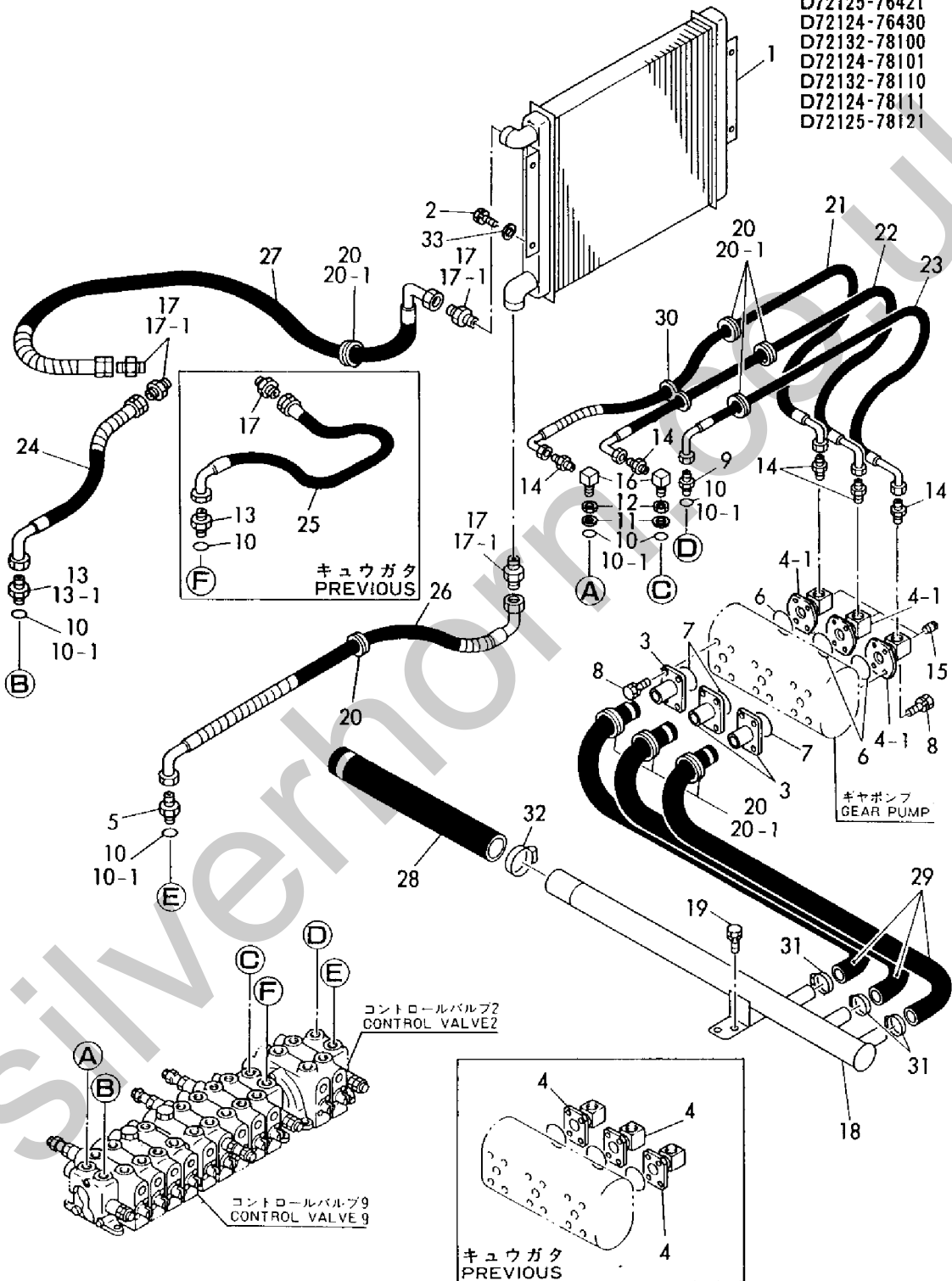
SPEC. CODE D72125-76421  
 D72124-76100 D72124-76430  
 D72132-76100 D72132-78100  
 D72125-76110 D72124-78101  
 D72132-76400 D72132-78110  
 D72124-76401 D72124-78111  
 D72132-76410 D72125-78121



1-1,1,,172124-74800,, "COOLER ASSY, OIL",1,1,,1,1,,1,,,,,,,,,  
2,1,,26013-080202,, "BOLT W/WASHER M8X20",4,4,,4,4,,,,,,,,,  
3,1,,172124-76100,, "FLANGE,PUMP INLET",3,3,,3,3,,,,,,,,,  
4,1,,172124-76110,, "FLANGE,P OUT ASSY",3,3,,3,3,,,,,,,,,  
4-1,1,,172124-76111,, "FLANGE,PUMP  
OUTLET",3,3,,3,3,,R,,, \*1984.10,, \*1984.10,,,, \*1984.10,, \*1984.10  
5,1,,172112-77370,, "CONNECTOR 60",1,1,,1,1,,,,,,,,,  
6,1,,24311-000300,, "O-RING 1A P-30.0",3,3,,3,3,,,,,,,,,  
6-1,1,,24315-000300,, "O-RING 1B P-  
30.0",3,3,,3,3,,N,,, \*1984.11,, \*1984.11,,,, \*1984.11,, \*1984.11  
7,1,,24311-000350,, "O-RING 1A P-35.0",3,3,,3,3,,,,,,,,,  
7-1,1,,24315-000350,, "O-RING 1B P-  
35.0",3,3,,3,3,,N,,, \*1984.11,, \*1984.11,,,, \*1984.11,, \*1984.11  
8,1,,26013-100202,, "BOLT W/WASHER M10X20",24,24,,24,24,,,,,,,,,  
9,1,,933152-07274,, "CONNECTOR",1,1,,1,1,,,,,,,,,  
10,1,,933152-07400,, "O-RING (A)",6,6,,6,6,,,,,,,,,  
10-1,1,,933152-07400,, "O-RING  
(A)",5,5,,5,5,,K,,, \*1984.10,, \*1984.10,,,, \*1984.10,, \*1984.10  
11,1,,933152-07410,, "RING (A), BUCK UP",2,2,,2,2,,,,,,,,,  
12,1,,933160-01510,, "NUT (A), CONNECTOR",2,2,,2,2,,,,,,,,,  
13,1,,933166-24090,, "CONNECTOR PF3/4-9.5",2,2,,2,2,,,,,,,,,  
13-1,1,,933166-24090,, "CONNECTOR PF3/4-  
9.5",1,1,,1,1,,K,,, \*1984.10,, \*1984.10,,,, \*1984.10,, \*1984.10  
14,1,,933166-25420,, "ADAPTER",5,5,,5,5,,,,,,,,,  
15,1,,933171-24740,, "PLUG PT3/8",3,3,,3,3,,,,,,,,,  
16,1,,933171-24750,, "CONNECTOR 1/2",2,2,,2,2,,,,,,,,,  
17,1,,933171-24970,, "ADAPTER",5,5,,5,5,,,,,,,,,  
17-1,1,,933171-  
24970,, "ADAPTER",4,4,,4,4,,K,,, \*1984.10,, \*1984.10,,,, \*1984.10,, \*1984.10  
18,1,,172124-76400,, "PIPE, SUCTION",1,1,,1,1,,,,,,,,,  
19,1,,26013-100252,, "BOLT W/WASHER M10X25",2,2,,2,2,,,,,,,,,  
20,1,,29311-515000,, "GROMMET 51X5",8,8,,8,8,,,,,,,,,  
20-1,1,,29311-515000,, "GROMMET  
51X5",7,7,,7,7,,K,,, \*1986.01,, \*1986.01,,,, \*1986.01,, \*1986.01  
21,1,,172124-78110,, "HOSE G208CC150S",1,1,,1,1,,,,,,,,,  
22,1,,172124-78120,, "HOSE G208CC105S",1,1,,1,1,,,,,,,,,  
23,1,,172124-78130,, "HOSE G208CC097S",1,1,,1,1,,,,,,,,,  
24,1,,172124-78280,, "HOSE G712BC103S",1,1,,1,1,,,,,,,,,  
25,1,,172124-78290,, "HOSE  
G712BC067",1,1,,1,1,,Z,,, \*1984.10,, \*1984.10,,,, \*1984.10,, \*1984.10  
26,1,,172124-78300,, "HOSE G712CC140S",1,1,,1,1,,,,,,,,,  
27,1,,172124-78310,, "HOSE G712BC135S",1,1,,1,1,,,,,,,,,  
28,1,,172124-78350,, "HOSE 45X320",1,1,,1,1,,,,,,,,,  
29,1,,172124-78360,, "HOSE G716YY042",3,3,,3,3,,,,,,,,,  
30,1,,172112-78740,, "CLAMP (A), HOSE",1,1,,1,1,,,,,,,,,  
30-1,1,,172124-78740,, "CLAMP,  
HOSE",1,1,,1,1,,S,,, \*1986.04,, \*1986.04,,,, \*1986.04,, \*1986.04  
31,1,,23000-041000,, "CLAMP 41",6,6,,6,6,,,,,,,,,  
32,1,,23000-070000,, "CLAMP 70",2,2,,2,2,,,,,,,,,  
33,1,,22137-080000,, "WASHER 8,  
POLISHED",4,4,,4,4,,W,,, \*1986.07,, \*1986.07,,,, \*1986.07,, \*1986.07

Fig. 51 ユアツハイカン(タンクーバルブ)  
HYD. OIL PIPING (TANK-VALVE)

SPEC. CODE  
 D72124-74800  
 D72124-76100  
 D72132-76100  
 D72125-76110  
 D72132-76400  
 D72124-76401  
 D72132-76410  
 D72125-76421  
 D72124-76430  
 D72132-78100  
 D72124-78101  
 D72132-78110  
 D72124-78111  
 D72125-78121

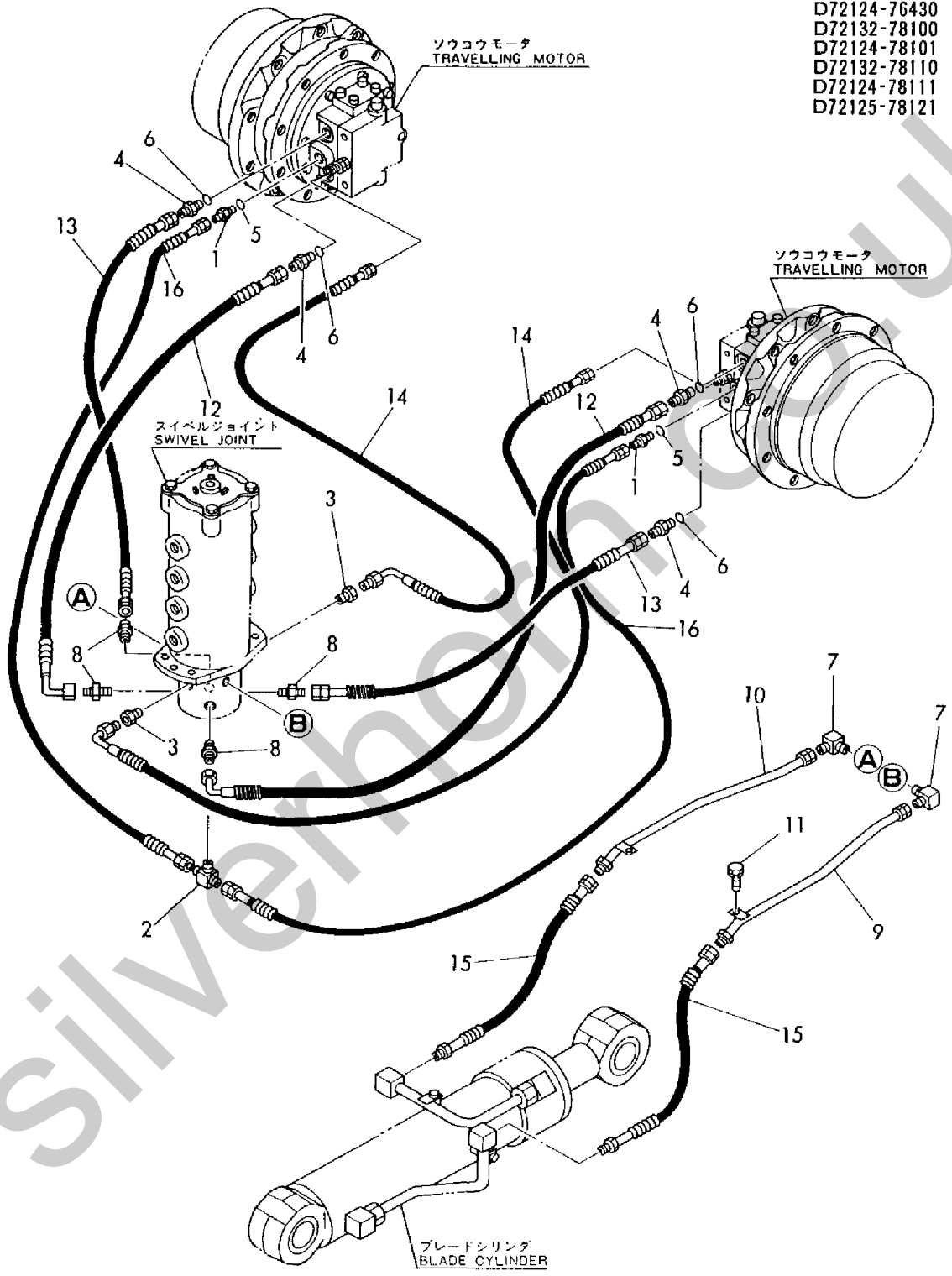


1,1,,172124-76160,,CONNECTOR,2,2,,2,2,,,,,,,,,,,,,  
1-1,1,,172730-  
75140,,ADAPTOR,2,2,,2,2,,S,,,\*,1984.12,,\*,1984.12,,,,\*,1984.12,,\*,1984.12  
2,1,,172122-76170,, "T-JOINT 1/4, DRAIN",1,1,,1,1,,,,,,,,,,,,,  
2-1,1,,172112-  
77400,,CONNECTOR,1,1,,1,1,,S,,,\*,1984.12,,\*,1984.12,,,,\*,1984.12,,\*,1984.12  
3,1,,172110-76470,,NIPPLE,2,2,,2,2,,,,,,,,,,,,,  
3-1,1,,23391-020000,, "JOINT  
RGI1/4",2,2,,2,2,,R,,,\*,1988.02,,\*,1988.02,,,,\*,1988.02,,\*,1988.02  
4,1,,172112-77360,, "CONNECTOR PF1/2PF1/2",4,4,,4,4,,,,,,,,,,,,,  
5,1,,24311-000140,, "O-RING 1A P-14.0",2,2,,2,2,,,,,,,,,,,,,  
5-1,1,,24315-000140,, "O-RING 1B P-  
14.0",2,2,,2,2,,S,,,\*,1984.11,,\*,1984.11,,,,\*,1984.11,,\*,1984.11  
6,1,,24311-000180,, "O-RING 1A P-18.0",6,6,,6,6,,,,,,,,,,,,,  
6-1,1,,24315-000180,, "O-RING 1B P-  
18.0",4,4,,4,4,,S,,,\*,1984.11,,\*,1984.11,,,,\*,1984.11,,\*,1984.11  
7,1,,933152-22771,, "ELBOW (90°)",2,2,,2,2,,,,,,,,,,,,,  
8,1,,933166-25420,,ADAPTER,4,4,,4,4,,,,,,,,,,,,,  
9,1,,172124-76750,, "PIPE(A), BLADE",1,1,,1,1,,,,,,,,,,,,,  
10,1,,172124-76780,, "PIPE(B), BLADE",1,1,,1,1,,,,,,,,,,,,,  
11,1,,26013-100252,, "BOLT W/WASHER M10X25",2,2,,2,2,,,,,,,,,,,,,  
12,1,,172124-78240,, "PIPE P208BC140W",2,2,,2,2,,,,,,,,,,,,,  
13,1,,172124-78250,, "PIPE P208BB130W",2,2,,2,2,,,,,,,,,,,,,  
14,1,,172124-78260,, "PIPE P204BC150W",2,2,,2,2,,,,,,,,,,,,,  
15,1,,172124-78270,, "HOSE G106AB072W",2,2,,2,2,,,,,,,,,,,,,  
16,1,,172124-78320,, "HOSE G704BB140W",2,2,,2,2,,,,,,,,,,,,,  
16-1,1,,172124-78321,, "HOSE  
G706BB140W",2,2,,2,2,,F,1,,\*,1984.12,,\*,1984.12,,,,\*,1984.12,,\*,1984.12



Fig. **52** ユアツハイカン(ソウコウ)  
HYD. OIL PIPING (TRAVEL)

- SPEC. CODE  
 D72124-76100  
 D72132-76100  
 D72125-76110  
 D72132-76400  
 D72124-76401  
 D72132-76410  
 D72125-76421  
 D72124-76430  
 D72132-78100  
 D72124-78101  
 D72132-78110  
 D72124-78111  
 D72125-78121



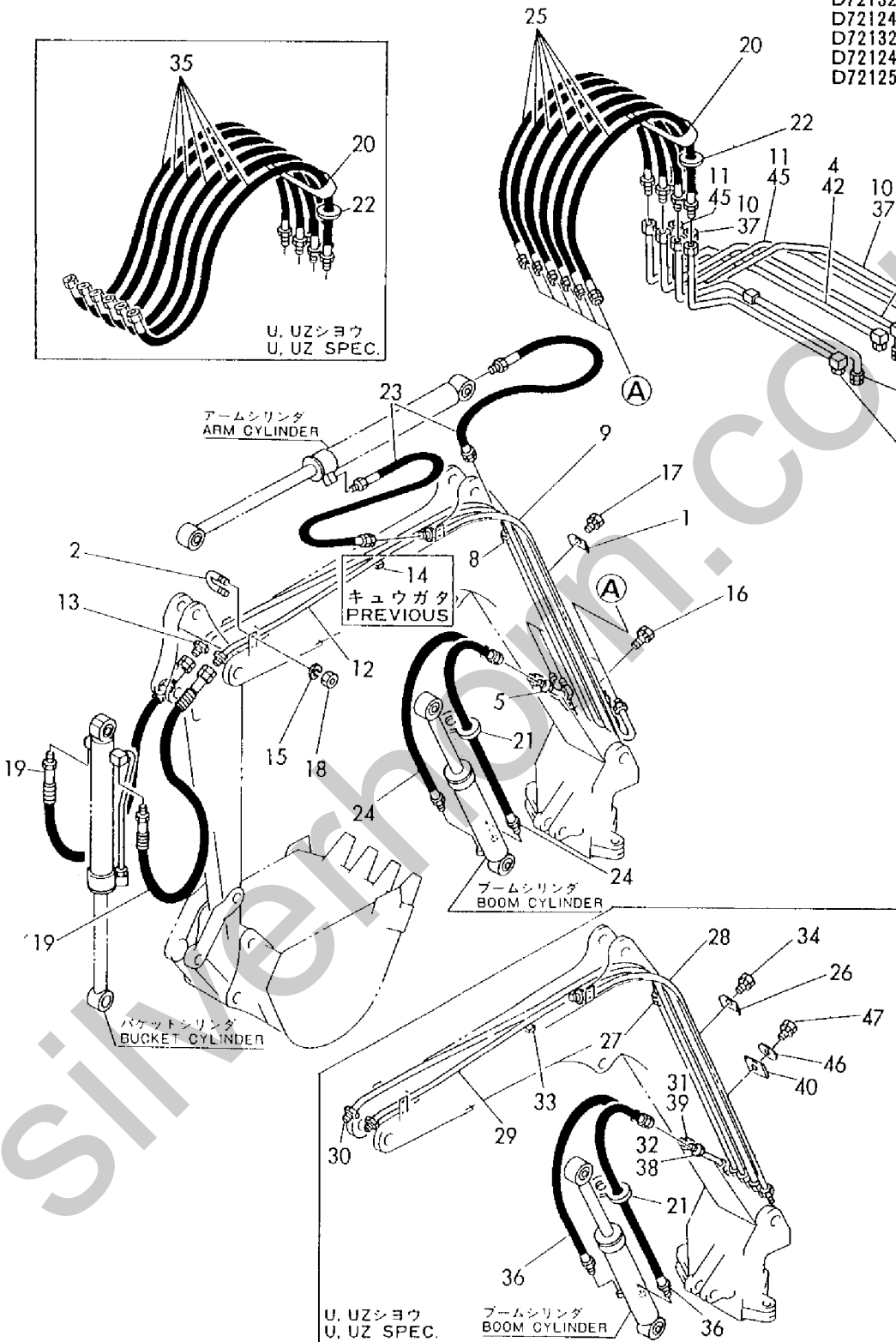
1,1,,172112-76300,, "RETAINER A,BOOM PIPE",4,4,,4,4,,,,,,,,,,,,,  
2,1,,172112-76321,, "RETAINER (YELLOW)",3,3,,3,3,,,,,,,,,,,,,  
3,1,,172124-76450,, "PIPE(A), BOOM",1,1,,1,1,,,,,,,,,,,,,  
3-1,1,,172124-76451,, "PIPE(A),  
BOOM",1,1,,1,1,,S,,,M00704,,M00704,,,,,M00632,,M00632  
4,1,,172124-76500,, "PIPE(B), BOOM",1,1,,1,1,,,,,,,,,,,,,  
4-1,1,,172124-76501,, "PIPE(B),  
BOOM",1,1,,1,1,,S,,,M00704,,M00704,,,,,M00632,,M00632  
5,1,,172124-76530,, "PIPE(C), BOOM",1,1,,1,1,,,,,,,,,,,,,  
6,1,,172124-76570,, "PIPE(A), ARM",1,1,,1,1,,,,,,,,,,,,,  
6-1,1,,172124-76571,, "PIPE(A),  
ARM",1,1,,1,1,,S,,,M00704,,M00704,,,,,M00632,,M00632  
7,1,,172124-76590,, "PIPE(B), ARM",1,1,,1,1,,,,,,,,,,,,,  
7-1,1,,172124-76591,, "PIPE(B),  
ARM",1,1,,1,1,,S,,,M00704,,M00704,,,,,M00632,,M00632  
8,1,,172124-76630,, "PIPE(C), ARM",1,1,,1,1,,,,,,,,,,,,,  
8-1,1,,172124-76631,, "PIPE(C),  
ARM",1,1,,1,1,,S,,,M00704,,M00704,,,,,M00632,,M00632  
9,1,,172124-76650,, "PIPE(D), ARM",1,1,,1,1,,,,,,,,,,,,,  
9-1,1,,172124-76651,, "PIPE(D),  
ARM",1,1,,1,1,,S,,,M00704,,M00704,,,,,M00632,,M00632  
10,1,,172124-76670,, "PIPE(A), BUCKET",1,1,,1,1,,,,,,,,,,,,,  
10-1,1,,172124-76671,, "PIPE(A),  
BUCKET",1,1,,1,1,,S,,,M00704,,M00704,,,,,M00632,,M00632  
11,1,,172124-76690,, "PIPE(B), BUCKET",1,1,,1,1,,,,,,,,,,,,,  
11-1,1,,172124-76691,, "PIPE(B),  
BUCKET",1,1,,1,1,,S,,,M00704,,M00704,,,,,M00632,,M00632  
12,1,,172124-76710,, "PIPE(C), BUCKET",1,1,,1,1,,,,,,,,,,,,,  
12-1,1,,172124-76711,, "PIPE(C),  
BUCKET",1,1,,1,1,,S,,,M00704,,M00704,,,,,M00632,,M00632  
13,1,,172124-76730,, "PIPE(D), BUCKET",1,1,,1,1,,,,,,,,,,,,,  
13-1,1,,172124-76731,, "PIPE(D),  
BUCKET",1,1,,1,1,,S,,,M00704,,M00704,,,,,M00632,,M00632  
14,1,,172112-81720,, "CUSION  
RUBBER,PIPE",1,1,,1,1,,Z,,,M00501,,M00501,,,,,M00501,,M00501  
15,1,,22217-080000,, "SPRING WASHER 8",6,6,,6,6,,,,,,,,,,,,,  
16,1,,26013-100252,, "BOLT W/WASHER M10X25",2,2,,2,2,,,,,,,,,,,,,  
17,1,,26013-100404,, "NUT M16",4,4,,4,4,,,,,,,,,,,,,  
18,1,,26717-080002,, "NUT M 8",6,6,,6,6,,,,,,,,,,,,,  
19,1,,172124-78400,, "HOSE G208AB100W",2,2,,2,2,,,,,,,,,,,,,  
20,1,,172112-78710,, "CLAMP 75, HOSE",1,1,,1,1,,,,,,,,,,,,,  
21,1,,172112-78740,, "CLAMP (A), HOSE",1,1,,1,1,,,,,,,,,,,,,  
22,1,,172112-78750,, "CLAMP (B), HOSE",1,1,,1,1,,,,,,,,,,,,,  
23,1,,23202-040701,, "PIPE, HICH-PRESS.",2,2,,2,2,,,,,,,,,,,,,  
24,1,,23202-041001,, "PIPE, HICH-PRESS.",2,2,,2,2,,,,,,,,,,,,,  
25,1,,23202-041501,, "PIPE, HIGH-PRESS.",6,6,,6,6,,,,,,,,,,,,,  
25-1,1,,23202-041401,, "HOSE,HI-PRESS  
4X1400",6,6,,6,6,,S,,,M00704,,M00704,,,,,M00632,,M00632  
26,1,,172112-76300,, "RETAINER A,BOOM PIPE",6,6,,6,6,,1,,,,,,,,,,,,,  
27,1,,172132-76630,, "PIPE (C), ARM",1,1,,1,1,,1,,,,,,,,,,,,,  
28,1,,172132-76650,, "PIPE (D), ARM",1,1,,1,1,,1,,,,,,,,,,,,,  
29,1,,172132-76710,, "PIPE (C), BUCKET",1,1,,1,1,,1,,,,,,,,,,,,,  
30,1,,172132-76730,, "PIPE (D), BUCKET",1,1,,1,1,,1,,,,,,,,,,,,,  
31,1,,172132-76900,, "PIPE, BOOM",1,1,,1,1,,1,,,,,,,,,,,,,  
32,1,,172132-76920,, "PIPE, BOOM",1,1,,1,1,,1,,,,,,,,,,,,,  
33,1,,172112-81720,, "CUSION RUBBER,PIPE",1,1,,1,1,,1,,,,,,,,,,,,,  
34,1,,26013-100402,, "BOLT M10X 40",6,6,,6,6,,1,,,,,,,,,,,,,  
35,1,,172132-78100,, "HOSE G208AB115",6,6,,6,6,,1,,,,,,,,,,,,,  
36,1,,23202-040801,, "PIPE 04X80",2,2,,2,2,,1,,,,,,,,,,,,,  
37,1,,172132-76380,, "PIPE (A), BUCKET",1,1,,1,W,2,,,,,M20519,,,,,M20502  
38,1,,172132-76400,, "PIPE (C), BOOM",1,1,,1,W,2,,,,,M20519,,,,,M20502  
39,1,,172132-76420,, "PIPE (D), BOOM",1,1,,1,W,2,,,,,M20519,,,,,M20502  
40,1,,172132-76450,, "SPACER",1,1,,1,W,2,,,,,M20519,,,,,M20502

41,1,,172132-76480,, "PIPE (A), BOOM" ,1,,1,,W,2,,,,M20519,,,,,M20502  
42,1,,172132-76500,, "PIPE (B), BOOM" ,1,,1,,W,2,,,,M20519,,,,,M20502  
43,1,,172132-76520,, "PIPE (A). ARM" ,1,,1,,W,2,,,,M20519,,,,,M20502  
44,1,,172132-76540,, "PIPE (B), ARM" ,1,,1,,W,2,,,,M20519,,,,,M20502  
45,1,,172132-76600,, "PIPE (B), BUCKET" ,1,,1,,W,2,,,,M20519,,,,,M20502  
46,1,,22137-100000,, "WASHER 10,POLISHED" ,1,,1,,W,2,,,,M20519,,,,,M20502  
47,1,,26116-100802,, "BOLT M10X 80 PLATED" ,1,,1,,W,2,,,,M20519,,,,,M20502

Silverhorn.CO.UK

Fig. 53 ユアツハイカン(サギョウキブ)  
 HYD. OIL PIPING (WORK EQUIPMNT)

SPEC. CODE  
 D72132-76400  
 D72124-76401  
 D72132-76410  
 D72125-76421  
 D72124-76430  
 D72132-78100  
 D72124-78101  
 D72132-78110  
 D72124-78111  
 D72125-78121





1,1,,772124-76100,, "VALVE ASSY, THIRD",,,,,,1,,,,,,,,,,,,,  
1-1,1,,772124-76101,, "VALVE ASSY, THIRD",,,,,,1,S,,,,,,,,,,,,,M00632  
1-2,1,,772124-76102,, "VALV ASSY, 3RD",,,,,,1,S,,,,,,,,,,,,,\*1987.04  
2,2,,172122-12100,, "LEVER ASSY, ACCEL",,,,,,1,,,,,,,,,,,,,  
2-1,2,,172122-12140,, "LEVER ASSY,3RD VALVE",,,,,,1,N,,,,,,,,,,,,,\*1986.03  
3,3,,933171-23680,, "BUSH 14X15",,,,,,2,,,,,,,,,,,,,  
4,2,,172122-41380,, "SHAFT, FULCRUM",,,,,,1,,,,,,,,,,,,,  
4-1,2,,172112-41380,, "SHAFT, BLADE LEVER",,,,,,1,N,,,,,,,,,,,,,M00501  
5,2,,172122-45670,, "BRACKET (B), LINK",,,,,,1,,,,,,,,,,,,,  
6,2,,172116-45940,, "KNOB (C), LEVER",,,,,,1,,,,,,,,,,,,,  
7,2,,172124-46100,, "MOUNT, 3RD VALVE",,,,,,1,,,,,,,,,,,,,  
8,2,,172124-46120,, "LINK, SPOOL",,,,,,1,,,,,,,,,,,,,  
9,2,,172124-46130,, "CABLE, PUSH-PULL",,,,,,1,,,,,,,,,,,,,  
10,2,,172122-47300,, "BRACKET, LEVER",,,,,,1,,,,,,,,,,,,,  
11,2,,22417-160160,, "COTTER PIN 1.6X16",,,,,,1,,,,,,,,,,,,,  
12,2,,22417-400400,, "COTTER PIN 4.0X40",,,,,,1,,,,,,,,,,,,,  
13,2,,26013-100202,, "BOLT W/WASHER M10X20",,,,,,2,,,,,,,,,,,,,  
14,2,,26013-100202,, "BOLT W/WASHER M10X20",,,,,,2,,,,,,,,,,,,,  
15,2,,26013-100202,, "BOLT W/WASHER M10X20",,,,,,4,,,,,,,,,,,,,  
16,2,,26756-050002,, "LOCK NUT M 5 PLATED",,,,,,1,,,,,,,,,,,,,  
17,2,,933110-54100,, "PIN 4.75X14",,,,,,1,,,,,,,,,,,,,  
18,2,,22217-100000,, "SPRING WASHER 10",,,,,,2,,,,,,,,,,,,,  
19,2,,26116-100602,, "BOLT M10X 60 PLATED",,,,,,2,,,,,,,,,,,,,  
20,2,,172124-76920,, "PIPE(A), THIRD",,,,,,1,,,,,,,,,,,,,  
20-1,2,,172124-76921,, "PIPE (A), THIRD",,,,,,1,S,,,,,,,,,,,,,M00632  
21,2,,172125-76940,, "PIPE(B), THIRD",,,,,,1,,,,,,,,,,,,,  
21-1,2,,172125-76941,, "PIPE (B), THIRD",,,,,,1,S,,,,,,,,,,,,,M00632  
22,2,,172125-76960,, "PIPE(C), THIRD",,,,,,1,,,,,,,,,,,,,  
23,2,,172125-76980,, "PIPE(D), THIRD",,,,,,1,,,,,,,,,,,,,  
24,2,,172112-77260,, "CONNECTOR PF1/2L-42",,,,,,1,,,,,,,,,,,,,  
25,2,,172124-78500,, "PIPE P208AB048",,,,,,1,,,,,,,,,,,,,  
25-1,2,,172125-78500,, "PIPE P208AB041",,,,,,1,R,,,,,,,,,,,,,MXXXXXX  
26,2,,172124-78510,, "PIPE P208BC046",,,,,,1,,,,,,,,,,,,,  
26-1,2,,172125-78510,, "PIPE P208BC054",,,,,,1,R,,,,,,,,,,,,,MXXXXXX  
27,2,,26013-100402,, "BOLT M10X 40",,,,,,1,,,,,,,,,,,,,  
28,2,,933152-24120,, "O-RING (B)",,,,,,2,,,,,,,,,,,,,  
29,2,,933152-24130,, "RING (B), BUCK UP",,,,,,1,,,,,,,,,,,,,  
30,2,,933152-24140,, "NUT (B), CONNECTOR",,,,,,1,,,,,,,,,,,,,  
31,2,,933155-09670,, "CLAMP, PIPE",,,,,,1,,,,,,,,,,,,,  
32,2,,933166-24120,, "CONNECTOR PF1/2-10",,,,,,1,,,,,,,,,,,,,  
33,2,,933166-25350,, "ELBOW 1/2 (90°)",,,,,,2,,,,,,,,,,,,,  
34,2,,933166-25420,, ADAPTER,,,,,2,,,,,,,,,,,,,  
35,2,,172125-76900,, CLAMP,,,,,4,,,,,,,,,,,,,  
36,2,,172125-76910,, "SPACER, CLAMP",,,,,,4,,,,,,,,,,,,,  
37,2,,172125-78530,, "PIPE, RETURN",,,,,,1,,,,,,,,,,,,,  
37-1,2,,172125-78531,, "PIPE, RETURN",,,,,,1,S,,,,,,,,,,,,,M00632  
38,2,,22217-120000,, "WASHER 12,SPRING",,,,,,4,,,,,,,,,,,,,  
39,2,,23871-040000,, "PLUG PT1/2,SCREW",,,,,,1,,,,,,,,,,,,,  
40,2,,23871-100000,, "PLUG PT1",,,,,,1,,,,,,,,,,,,,  
41,2,,26116-120652,, "BOLT M12X 65 PLATED",,,,,,4,,,,,,,,,,,,,  
42,2,,172125-76800,, "STAY, PIPE",,,,,,1,,,,,,,,,,,,,  
42-1,2,,172125-76801,, "STAY, PIPE",,,,,,1,S,,,,,,,,,,,,,M00632  
43,2,,23391-100000,, JOINT,,,,,1,,,,,,,,,,,,,  
44,2,,172124-78160,, "PIPE P208BC120S",,,,,,1,,,,,,,,,,,,,  
45,2,,172124-78170,, "PIPE P208BC113S",,,,,,1,,,,,,,,,,,,,  
46,2,,172125-78570,, "HOSE G208AB200",,,,,,1,,,,,,,,,,,,,  
46-1,2,,172125-78571,, "HOSE G208AB190",,,,,,1,S,,,,,,,,,,,,,M00632  
47,2,,172125-78580,, "HOSE G216AB200",,,,,,1,,,,,,,,,,,,,  
47-1,2,,172125-78581,, "HOSE G216AB190",,,,,,1,S,,,,,,,,,,,,,M00632  
48,2,,172112-78750,, "CLAMP (B), HOSE",,,,,,3,,,,,,,,,,,,,  
49,2,,23251-100805,, "HOSE 10X800,MID-PRES",,,,,,1,,,,,,,,,,,,,  
50,2,,933171-25102,, "CLAMP, HOSE",,,,,,1,,,,,,,,,,,,,  
51,2,,172125-81110,, STAY,,,,,4,,,,,,,,,,,,,

52,2,,26013-100202,, "BOLT W/WASHER M10X20",,,,,,2,,,,,  
 53,2,,172125-74700,, "CHANGING VALVE",,,,,,1,W,,,,,\*1987.04  
 54,3,,172138-74390,, "SPRING",,,,,,1,W,,,,,\*1987.04  
 55,3,,172138-74400,, "ROLLER",,,,,,1,W,,,,,\*1987.04  
 56,3,,172125-74710,, "BODY",,,,,,1,W,,,,,\*1987.04  
 57,3,,172125-74720,, "ROTOR",,,,,,1,W,,,,,\*1987.04  
 58,3,,172122-74730,, "LEVER",,,,,,1,W,,,,,\*1987.04  
 59,3,,172122-74740,, "KNOB, LEVER",,,,,,1,W,,,,,\*1987.04  
 59-1,3,,172122-74741,, "KNOB, LEVER",,,,,,1,N,,,,,\*1991.03  
 60,3,,172125-74740,, "SEAL KIT",,,,,,1,W,,,,,\*1987.04  
 61,4,,172125-74730,, "RING P36, BACK-UP",,,,,,1,W,,,,,\*1987.04  
 62,4,,172122-74760,, "RING P30, BACK-UP",,,,,,1,W,,,,,\*1987.04  
 63,4,,24315-000300,, "O-RING 1B P-30.0",,,,,,1,W,,,,,\*1987.04  
 64,4,,24315-000360,, "O-RING 1B P 36",,,,,,1,W,,,,,\*1987.04  
 65,3,,172122-74770,, "PLUG PT1/16",,,,,,1,W,,,,,\*1987.04  
 66,3,,24341-000360,, "O-RING 1A S-36.0",,,,,,1,W,,,,,\*1987.04  
 67,2,,172125-74750,, "90 CONNECTOR",,,,,,1,W,,,,,\*1987.04  
 69,3,,24315-000290,, "O-RING 1B P-29.0",,,,,,1,W,,,,,\*1987.04  
 70,2,,172125-74770,, "CONNECTOR",,,,,,2,W,,,,,\*1987.04  
 71,2,,23202-040654,, "HOSE",,,,,,1,W,,,,,\*1987.04  
 72,2,,23395-100000,, "JOINT RRN1",,,,,,1,W,,,,,\*1987.04  
 73,1,,172125-81100,, "BOOM ASSY",,,,,,1,,,,,  
 74,2,,172112-81701,, "BUSH 50X80, BOOM",,,,,,2,,,,,

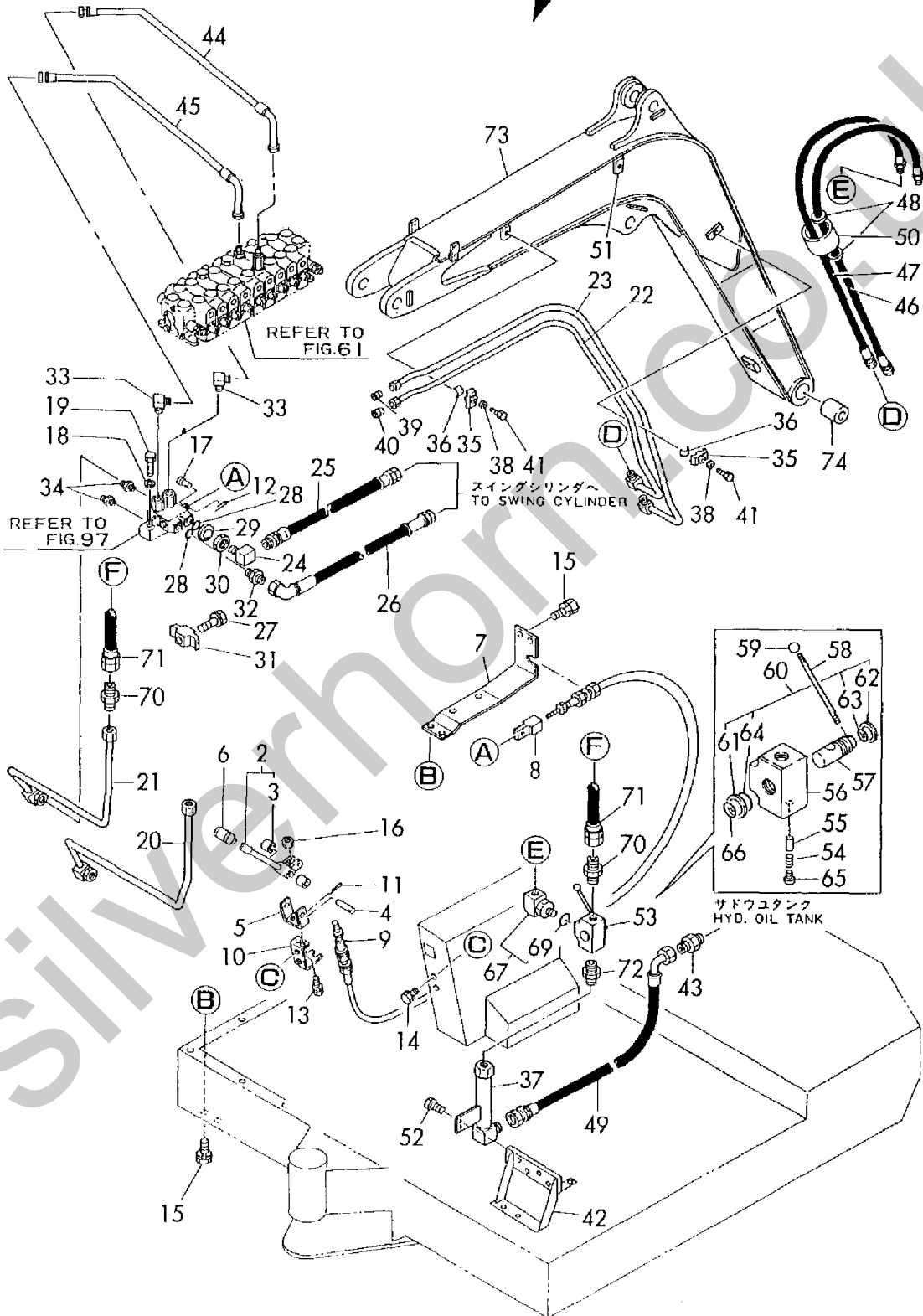


Fig. 54 P.T.O.バルブハイカン  
P.T.O. VALVE PIPING

SPEC. CODE  
D72124-46100  
D72124-74700  
D72125-76110  
D72125-76421  
D72125-76440  
D72125-78121  
D72125-81120

COUNTRY	J	P	N	W	S	W	G	F	A	D	M	N	L
Fig.No.	95	—	54	54	54	54	54	54	54	54	54	54	54

1 inc.2-52  
1-2 inc.2-72



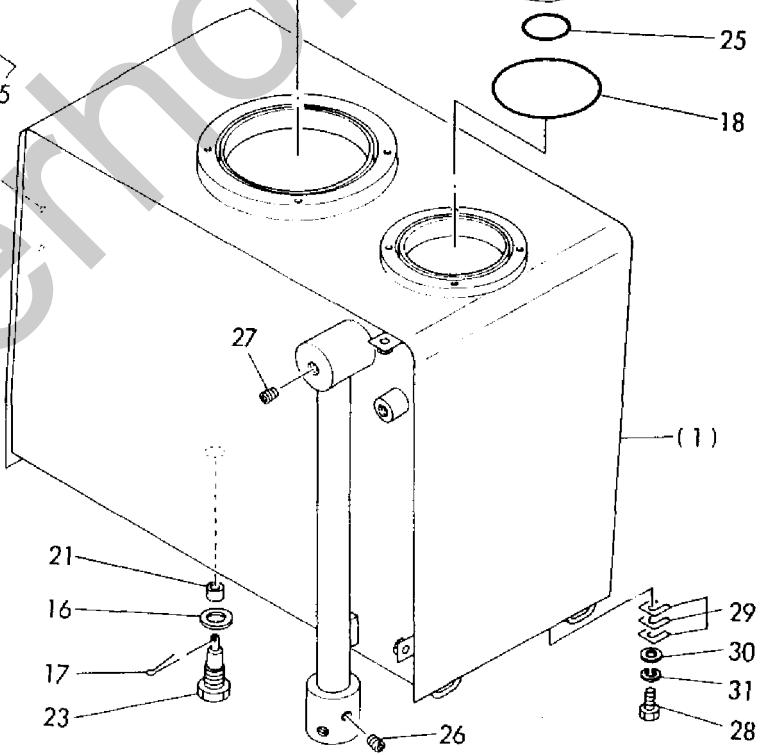
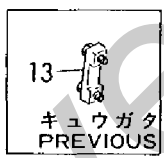
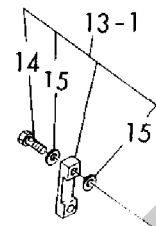
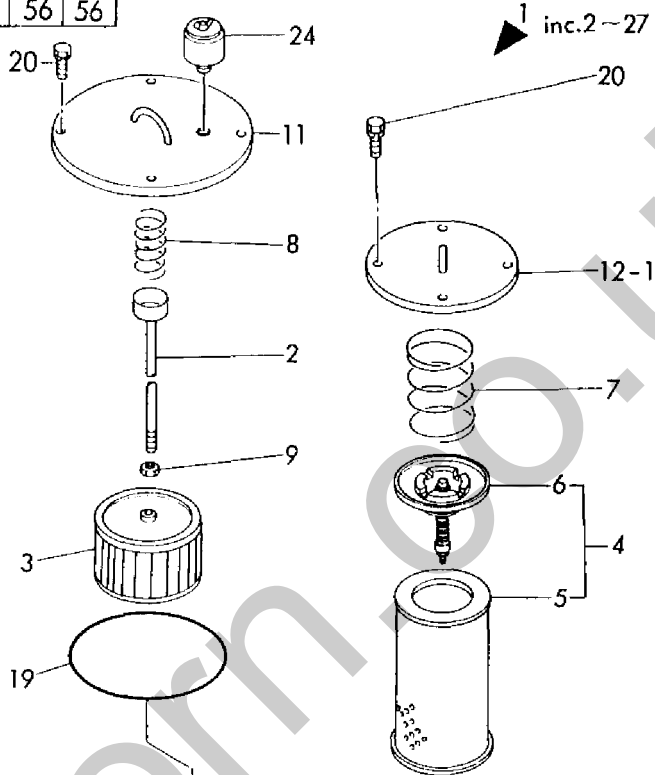
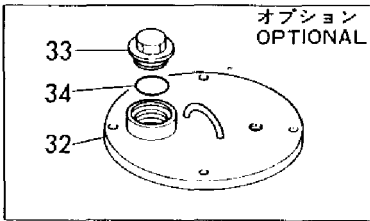
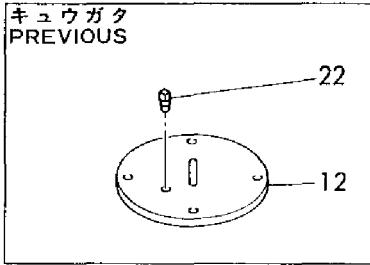
1,1,,772124-75100,, "RESERVIR ASSY",1,1,,1,1,,,,,,,,,,,,,  
 2,2,,172124-73700,, "BAR,FILTER SUPPORT",1,1,,1,1,,,,,,,,,,,,,  
 3,2,,172112-74801,, "STRAINER, SUCTION",1,1,,1,1,,,,,,,,,,,,,  
 4,2,,172112-74901,, "ELEMENT W/VALVE",1,1,,1,1,,,,,,,,,,,,,  
 5,3,,172112-74911,, ELEMENT,1,1,,1,1,,,,,,,,,,,,,  
 6,3,,172112-74971,, "VALVE, BY-PASS",1,1,,1,1,,,,,,,,,,,,,  
 7,2,,172112-75770,, "SPRING, STRAINER",1,1,,1,1,,,,,,,,,,,,,  
 8,2,,172112-75780,, "SPRING, STRAINER",1,1,,1,1,,,,,,,,,,,,,  
 9,2,,26716-100002,, "NUT M10",1,1,,1,1,,,,,,,,,,,,,  
 11,2,,172312-75110,, "CAP, RESERVIOR(A)",1,1,,1,1,,,,,,,,,,,,,  
 12,2,,172122-75330,, "COVER (B), RESERVOIR",1,1,,1,1,,,,,,,,,,,,,  
 12-1,1,,172122-75331,, "COVER (B),  
 RESERVOIR",1,1,,1,1,,N,,, \*1988.03,, \*1988.03,,,, \*1988.03,, \*1988.03  
 13,2,,172110-75460,, "GAUGE, OIL LEVEL",1,1,,1,1,,,,,,,,,,,,,  
 13-1,2,,172122-75600,, "GAUGE, OIL  
 LEVEL",1,1,,1,1,,R,,, M10501,, M10501,,,, M10501,, M10501  
 14,3,,172122-75620,, BOLT,2,2,,2,2,,,,,,,,,,,,,  
 15,3,,172122-75630,, GASKET,4,4,,4,4,,,,,,,,,,,,,  
 16,2,,22134-240000,, "WASHER 24",1,1,,1,1,,,,,,,,,,,,,  
 17,2,,22417-200160,, "COTTER PIN 2.0X16",1,1,,1,1,,,,,,,,,,,,,  
 18,2,,24321-001350,, "O-RING 1A G-135.0",1,1,,1,1,,,,,,,,,,,,,  
 19,2,,24321-001900,, "O-RING 1A G-190.0",1,1,,1,1,,,,,,,,,,,,,  
 20,2,,26013-100202,, "BOLT W/WASHER M10X20",8,8,,8,8,,,,,,,,,,,,,  
 21,2,,933171-23042,, MAGNET,1,1,,1,1,,,,,,,,,,,,,  
 22,2,,933171-23050,, "PLUG  
 1/4",1,1,,1,1,,Z,,, \*1988.03,, \*1988.03,,,, \*1988.03,, \*1988.03  
 23,2,,933171-23062,, "PLUG 24, DRAIN",1,1,,1,1,,,,,,,,,,,,,  
 24,2,,172312-75130,, "BREATHER, AIR",1,1,,1,1,,,,,,,,,,,,,  
 25,2,,24321-000650,, "O-RING 1A G-65.0",1,1,,1,1,,,,,,,,,,,,,  
 26,2,,23871-060000,, "PLUG PT3/4,SCREW",1,1,,1,1,,,,,,,,,,,,,  
 27,2,,23871-100000,, "PLUG PT1",1,1,,1,1,,,,,,,,,,,,,  
 28,1,,26116-140302,, "BOLT M14X 30 PLATED",5,5,,5,5,,,,,,,,,,,,,  
 29,1,,172117-53320,, "SPACER (M20)",2,2,,2,2,,,,,,,,,,,,,  
 30,1,,22137-140000,, "WASHER 14,POLISHED",5,5,,5,5,,,,,,,,,,,,,  
 31,1,,22217-140000,, "SPRING WASHER 14",5,5,,5,5,,,,,,,,,,,,,  
 32,1,,172125-75100,, "COVER (A)",,1,,1,,,,,,,,,,,,,  
 33,1,,172116-75850,, "PLUG, OIL FEED",,1,,1,,,,,,,,,,,,,  
 34,1,,24311-000380,, "O-RING 1A P-38.0",,1,,1,,,,,,,,,,,,,



Fig. **55** サドウユタンク  
HYD. OIL TANK

SPEC. CODE  
D72124-73700  
D72124-75100  
D72125-75100

COUNTRY	J	P	N	S	W	G	F	A	D	M	N	L
Fig. No.	55	56	56	56	56	56	56	56	56	56	56	56

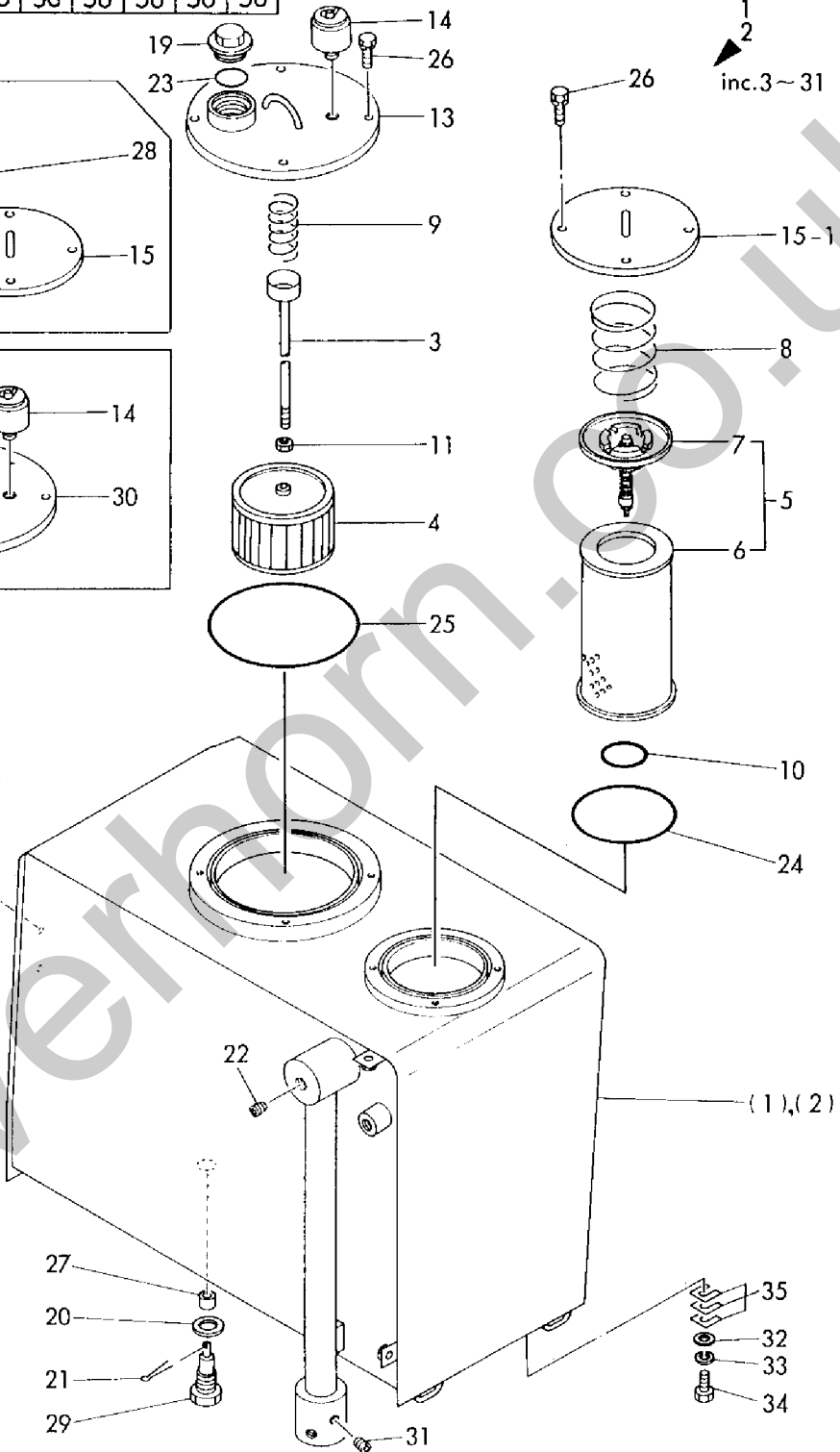
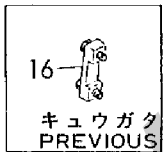
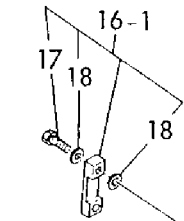
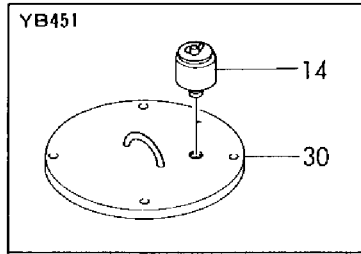
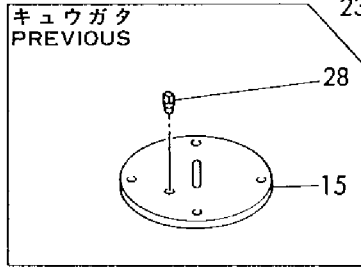


1,1,,772124-75100,, "RESERVIR ASSY",,1,,,,,1,,,,,  
 2,1,,772125-75100,, "RESERVOIR ASSY, HYD.",,1,,,,,1,,,,,  
 3,2,,172124-73700,, "BAR, FILTER SUPPORT",,1,,1,,,,,  
 4,2,,172112-74801,, "STRAINER, SUCTION",,1,,1,,,,,  
 5,2,,172112-74901,, "ELEMENT W/VALVE",,1,,1,,,,,  
 6,3,,172112-74911,, "ELEMENT",,1,,1,,,,,  
 7,3,,172112-74971,, "VALVE, BY-PASS",,1,,1,,,,,  
 8,2,,172112-75770,, "SPRING, STRAINER",,1,,1,,,,,  
 9,2,,172112-75780,, "SPRING, STRAINER",,1,,1,,,,,  
 10,2,,24321-000650,, "O-RING 1A G-65.0",,1,,1,,,,,  
 11,2,,26716-100002,, "NUT M10",,1,,1,,,,,  
 13,2,,172125-75100,, "COVER (A)",,1,,,,,1,,,,,  
 14,2,,172312-75130,, "BREATHER, AIR",,1,,1,,,,,  
 15,2,,172122-75330,, "COVER (B), RESERVOIR",,1,,1,,,,,  
 15-1,2,,172122-75331,, "COVER (B),  
 RESERVOIR",,1,,1,N,,,,,\*1988.05,,,,,\*1988.05  
 16,2,,172110-75460,, "GAUGE, OIL LEVEL",,1,,1,,,,,  
 16-1,2,,172122-75600,, "GAUGE, OIL LEVEL",,1,,1,R,,,,M50001,,,,,M50001  
 17,3,,172122-75620,, "BOLT",,2,,2,,,,,  
 18,3,,172122-75630,, "GASKET",,4,,4,,,,,  
 19,2,,172116-75850,, "PLUG, OIL FEED",,1,,,,,1,,,,,  
 20,2,,22134-240000,, "WASHER 24",,1,,1,,,,,  
 21,2,,22417-200160,, "COTTER PIN 2.0X16",,1,,1,,,,,  
 22,2,,23871-100000,, "PLUG PT1",,1,,1,,,,,  
 23,2,,24311-000380,, "O-RING 1A P-38.0",,1,,1,,,,,  
 24,2,,24321-001350,, "O-RING 1A G-135.0",,1,,1,,,,,  
 25,2,,24321-001900,, "O-RING 1A G-190.0",,1,,1,,,,,  
 26,2,,26013-100202,, "BOLT W/WASHER M10X20",,8,,8,,,,,  
 27,2,,933171-23042,, "MAGNET",,1,,1,,,,,  
 28,2,,933171-23050,, "PLUG 1/4",,1,,1,Z,,,,\*1988.05,,,,,\*1988.05  
 29,2,,933171-23062,, "PLUG 24, DRAIN",,1,,1,,,,,  
 30,2,,172312-75110,, "CAP, RESERVIOR(A)",,1,,,,,1,,,,,  
 31,2,,23871-060000,, "PLUG PT3/4, SCREW",,1,,1,,,,,  
 32,1,,22137-140000,, "WASHER 14, POLISHED",,5,,5,,,,,  
 33,1,,22217-140000,, "SPRING WASHER 14",,5,,5,,,,,  
 34,1,,26116-140302,, "BOLT M14X 30 PLATED",,5,,5,,,,,  
 35,1,,172117-53320,, "SPACER (M20)",,2,,2,,,,,

Fig. 56 サドユタンク  
HYD. OIL TANK

SPEC. CODE  
D72124-73700  
D72124-75100  
D72125-75100

COUNTRY	J	P	N	W	S	W	G	F	A	D	M	N	L
Fig.No.	55	56	56	56	56	56	56	56	56	56	56	56	56



1,1,,172124-81010,, "BOOM ASSY",1,1,,1,1,,,,,,,,,,,,,  
2,2,,172112-81701,, "BUSH 50X80,BOOM",2,2,,2,2,,,,,,,,,,,,,  
3,1,,172124-81250,, "PIN (50-146)",1,1,,1,1,,,,,,,,,,,,,  
4,1,,172124-81270,, "PIN (50-226)",1,1,,1,1,,,,,,,,,,,,,  
5,1,,172112-81720,, "CUSION RUBBER,PIPE",1,1,,1,1,,,,,,,,,,,,,  
6,1,,172124-81470,, "PIN (50-181)",1,1,,1,1,,,,,,,,,,,,,  
7,1,,172112-87820,, "SHIM 50X1",2,2,,2,2,,,,,,,,,,,,,  
8,1,,22417-800630,, "COTTER PIN 8.0X63",2,2,,2,2,,,,,,,,,,,,,  
9,1,,24761-040000,, "NIPPLE B,GREASE",1,1,,1,1,,,,,,,,,,,,,  
10,1,,172125-81200,, "ARM (1620) ASSY",,,1,1,,,,,,,,,,,,,  
10-1,1,,172125-81201,, "ARM (1620) ASSY",,,1,1,N,,,,,,,,,M20582,,M20582  
10-2,1,,172125-81202,, "ARM (1620) ASSY",,,1,1,R,,,,,,,,,\*1988.08,,\*1988.08  
11,2,,172112-83500,, "PIN BUSH 45X60",,,4,4,,,,,,,,,,,,,  
12,2,,172112-83530,, "SPACER 49.5X33",,,2,2,,,,,,,,,,,,,  
13,2,,172112-83600,, "BUSH, ARM",,,2,2,,,,,,,,,,,,,  
13-1,2,,172147-81450,, "BUSH 50X80",,,2,2,S,,,,,,,,,M20572,,M20572  
14,1,,172124-81300,, "ARM (1420) ASSY",1,1,,,,,,,,,,,,,  
14-1,1,,172124-81301,, ARM(1420)ASSY,1,1,,,,,N,,M21143,,M21143,,,,,  
14-2,1,,172124-81302,, ARM(1420)ASSY,1,1,,,,,R,,\*1988.08,,\*1988.08,,,,,  
15,2,,172112-83500,, "PIN BUSH 45X60",4,4,,,,,,,,,,,,,  
16,2,,172112-83530,, "SPACER 49.5X33",2,2,,,,,,,,,,,,,  
17,2,,172112-83600,, "BUSH, ARM",2,2,,,,,,,,,,,,,  
17-1,2,,172147-81450,, "BUSH 50X80",2,2,,,,,S,,M21196,,M21196,,,,,  
18,1,,172124-81420,, "PIN (50-119)",1,1,,1,1,,,,,,,,,,,,,  
19,1,,172124-81440,, "PIN 45-109, BOOM",1,1,,1,1,,,,,,,,,,,,,  
20,1,,172112-87750,, "SEAL #DKIY 45X55X4",4,4,,4,4,,,,,,,,,,,,,  
21,1,,172112-87820,, "SHIM 50X1",1,1,,1,1,,,,,,,,,,,,,  
22,1,,172112-87840,, "SHIM 45X1",1,1,,1,1,,,,,,,,,,,,,  
23,1,,22417-800630,, "COTTER PIN 8.0X63",2,2,,2,2,,,,,,,,,,,,,  
24,1,,24761-040000,, "NIPPLE B,GREASE",1,1,,1,1,,,,,,,,,,,,,  
25,1,,172124-81500,, "LINK, BUCKET",1,1,,1,1,,,,,,,,,,,,,  
26,2,,172112-83500,, "PIN BUSH 45X60",2,2,,2,2,,,,,,,,,,,,,  
27,2,,172112-86250,, "BUSH 45X39, PIN",2,2,,2,2,,,,,,,,,,,,,  
28,1,,172124-81530,, "ARM (L), BUCKET",1,1,,1,1,,,,,,,,,,,,,  
29,1,,172124-81540,, "ARM (R), BUCKET",1,1,,1,1,,,,,,,,,,,,,  
30,1,,172112-87140,, "PIN, BUCKET ARM",1,1,,1,1,,,,,,,,,,,,,  
31,1,,172112-87170,, "PIN, BUCKET ARM",1,1,,1,1,,,,,,,,,,,,,  
32,1,,172112-87750,, "SEAL #DKIY 45X55X4",6,6,,6,6,,,,,,,,,,,,,  
33,1,,24761-020000,, "NIPPLE PT1/8,GREASE",2,2,,2,2,,,,,,,,,,,,,  
34,1,,24761-020000,, "NIPPLE PT1/8,GREASE",1,1,,1,1,,,,,,,,,,,,,  
35,1,,933110-86600,, "NUT M24, NYLON",2,2,,2,2,,,,,,,,,,,,,  
36,1,,933171-29760,, WASHER,2,2,,2,2,,,,,,,,,,,,,  
37,1,,772125-81400,, "BUCKET 650 ASSY",,,1,1,1,,,,,,,,,,,,,  
37-1,1,,772125-81401,, "BUCKET 650  
ASSY",,,1,1,1,S,,,,,,,,,\*1989.03,,\*1989.03,,\*1989.03  
39,3,,172112-91180,, "SIDE CUTTER, BUCKET",,,2,2,2,,,,,,,,,,,,,  
40,2,,772112-91300,, "TEETH ASSY",,,4,4,4,,,,,,,,,,,,,  
40-1,2,,772112-91302,, "TEETH ASSY",,,4,4,4,R,,,,,,,,,M21023,,M20570,,M20570  
40-2,2,,772112-91303,, "TEETH  
ASSY",,,4,4,4,S,1,,,,,\*1989.03,,\*1989.03,,\*1989.03  
41,3,,172112-91301,, TEETH,,4,4,4,,,,,,,,,,,,,  
41-1,3,,172112-91302,, TEETH,,4,4,4,R,,,,,,,,,M21023,,M20570,,M20570  
41-2,3,,172112-91303,, TEETH,,4,4,4,S,,,,,,,,,\*1989.03,,\*1989.03,,\*1989.03  
42,3,,22217-160000,, "SPRING WASHER  
16",,,8,8,8,Z,,,,,,,,\*1989.03,,\*1989.03,,\*1989.03  
43,3,,26716-160002,, "NUT M16",,,8,8,8,,,,,,,,,,,,,  
43-1,3,,172137-86780,, NUT,,8,8,8,S,,,,,,,,\*1989.03,,\*1989.03,,\*1989.03  
44,3,,933110-82500,, "BOLT M16X45X18",,,4,4,4,,,,,,,,,,,,,  
44-1,3,,172151-  
81400,, BOLT,,8,8,8,S,,,\*1989.03,,\*1989.03,,\*1989.03,,\*1989.03,,\*1989.03  
45,3,,933110-82600,, "BOLT  
M16X55X18",,,4,4,4,Z,,,,,,,,\*1989.03,,\*1989.03,,\*1989.03



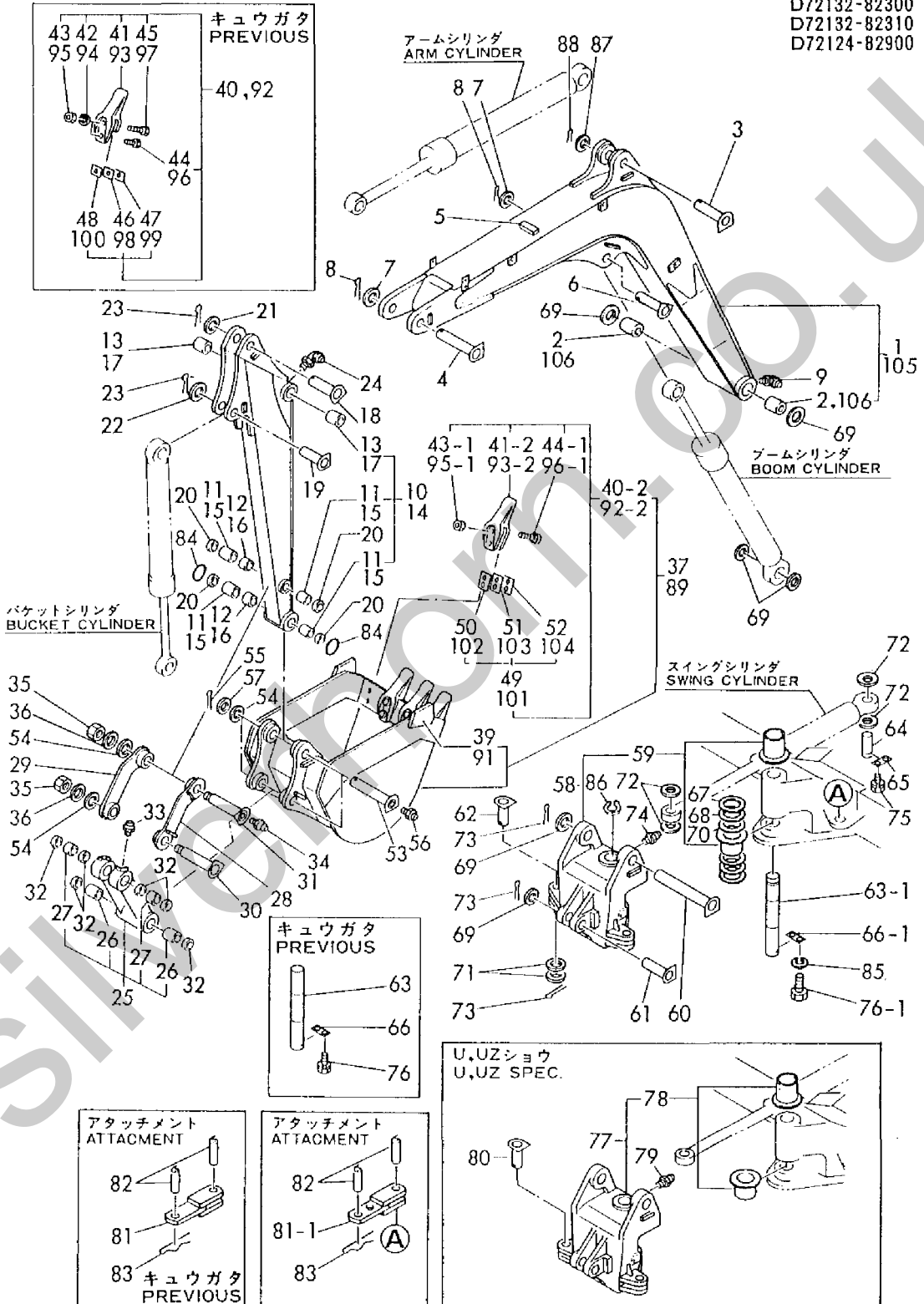


89-1,1,,772124-81601,, "BUCKET  
ASSY,600",1,1,,,,1,S,,, \*1989.03,, \*1989.03,,,,, \*1989.03  
91,3,,172112-91180,, "SIDE CUTTER, BUCKET",2,2,,,,2,,,,,  
92,2,,772112-91300,, "TEETH ASSY",4,4,,,,4,,,,,  
92-1,2,,772112-91302,, "TEETH ASSY",4,4,,,,4,R,,,M21023,,M21023,,,,,M20570  
92-2,2,,772112-91303,, "TEETH  
ASSY",4,4,,,,4,S,4,, \*1989.03,, \*1989.03,,,,, \*1989.03  
93,3,,172112-91301,, "TEETH",4,4,,,,4,,,,,  
93-1,3,,172112-91302,, "TEETH",4,4,,,,4,R,,,M21023,,M21023,,,,,M20570  
93-2,3,,172112-91303,, "TEETH",4,4,,,,4,S,,, \*1989.03,, \*1989.03,,,,, \*1989.03  
94,3,,22217-160000,, "SPRING WASHER  
16",8,8,,,,8,Z,,, \*1989.03,, \*1989.03,,,,, \*1989.03  
95,3,,26716-160002,, "NUT M16",8,8,,,,8,,,,,  
95-1,3,,172137-86780,, "NUT",8,8,,,,8,S,,, \*1989.03,, \*1989.03,,,,, \*1989.03  
96,3,,933110-82500,, "BOLT M16X45X18",4,4,,,,4,,,,,  
96-1,3,,172151-81400,, "BOLT",8,8,,,,8,S,,, \*1989.03,, \*1989.03,,,,, \*1989.03  
97,3,,933110-82600,, "BOLT  
M16X55X18",4,4,,,,4,Z,,, \*1989.03,, \*1989.03,,,,, \*1989.03  
98,3,,172112-91310,, "SHIM T=0.5,  
TEETH",4,4,,,,4,Z,2,, \*1989.03,, \*1989.03,,,,, \*1989.03  
99,3,,172112-91320,, "SHIM T=1.0,  
TEETH",4,4,,,,4,Z,2,, \*1989.03,, \*1989.03,,,,, \*1989.03  
100,3,,172112-91340,, "SHIM T=0.3,  
TEETH",4,4,,,,4,Z,2,, \*1989.03,, \*1989.03,,,,, \*1989.03  
101,3,,172151-81410,, "SHIM SET,  
TEETH",4,4,,,,4,W,,, \*1989.03,, \*1989.03,,,,, \*1989.03  
102,4,,172151-81420,, "SHIM  
0.3,TEETH",4,4,,,,4,W,2,, \*1989.03,, \*1989.03,,,,, \*1989.03  
103,4,,172151-81430,, "SHIM  
0.5,TEETH",4,4,,,,4,W,2,, \*1989.03,, \*1989.03,,,,, \*1989.03  
104,4,,172151-81440,, "SHIM  
1.0,TEETH",4,4,,,,4,W,2,, \*1989.03,, \*1989.03,,,,, \*1989.03  
105,1,,172132-81010,, "BOOM COMPL.",1,1,,1,1,,3,,,,,  
106,2,,172112-81701,, "BUSH 50X80,BOOM",2,2,,2,2,,3,,,,,

Fig. 57 ブーム&バケット  
BOOM & BUCKET

SPEC. CODE  
 D72124-81100  
 D72132-81100  
 D72124-81110  
 D72124-81200  
 D72125-81200  
 D72124-81300  
 D72124-81400  
 D72125-81400  
 D72124-82300  
 D72132-82300  
 D72132-82310  
 D72124-82900

COUNTRY	J	P	NW	SW	WG	F	A	D	M	N	L
Fig. No.	57	58	58	58	58	58	58	58	58	58	58



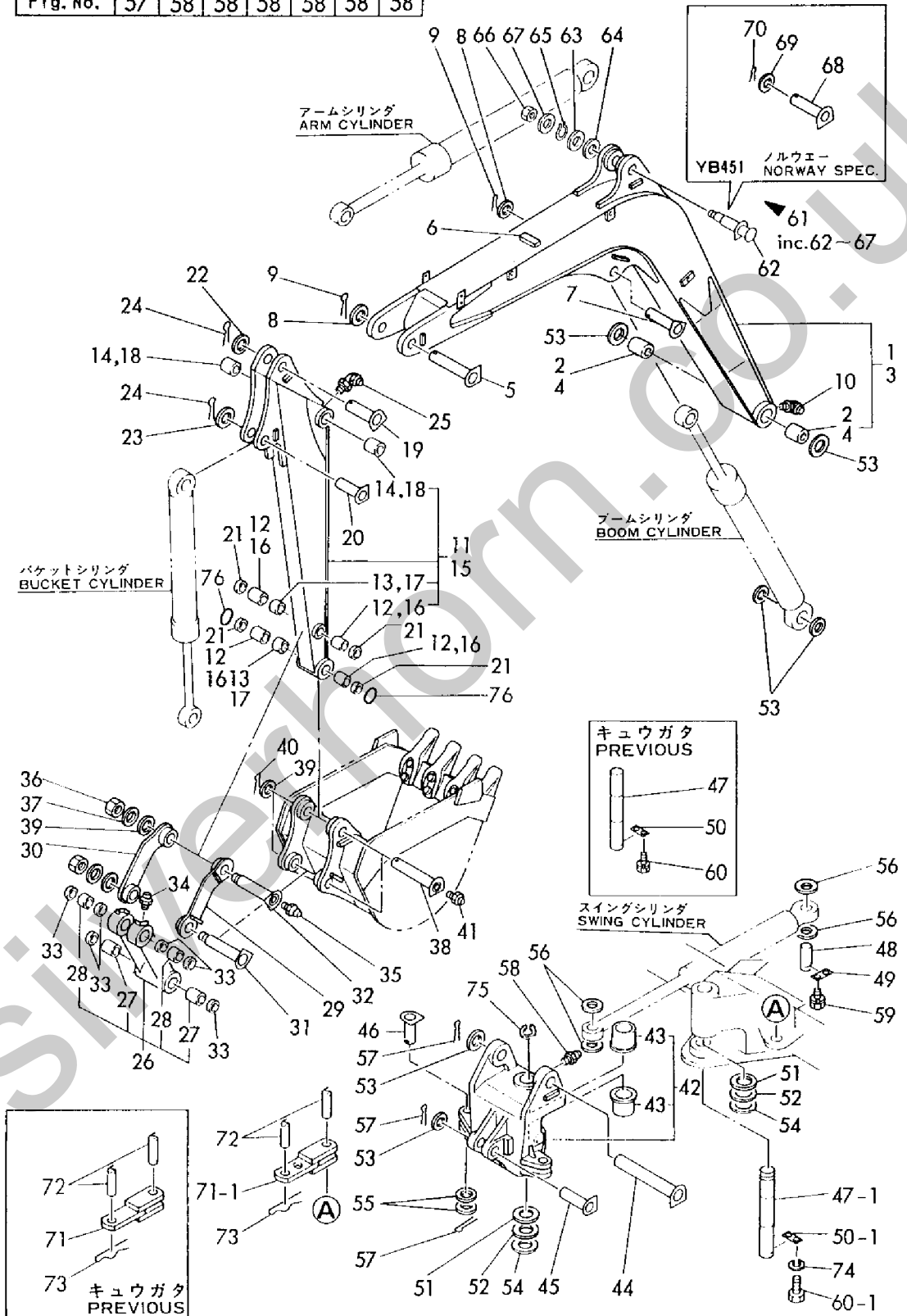
1,1,,172124-81010,, "BOOM ASSY",,1,,,,,,,,,,,,,  
2,2,,172112-81701,, "BUSH 50X80,BOOM",,2,,,,,,,,,,,,,  
3,1,,172125-81100,, "BOOM ASSY",,,,,,1,,,,,,,,,,,,,  
4,2,,172112-81701,, "BUSH 50X80,BOOM",,,,,,2,,,,,,,,,,,,,  
5,1,,172124-81270,, "PIN (50-226)",,1,,1,,,,,,,,,,,,,  
6,1,,172112-81720,, "CUSION RUBBER,PIPE",,1,,1,,,,,,,,,,,,,  
7,1,,172112-87330,, "PIN (C), BOOM",,1,,1,,,,,,,,,,,,,  
7-1,1,,172124-81470,, "PIN (50-181)",,1,,1,N,,,,,\*1984.09,,,,,\*1984.09  
8,1,,172112-87820,, "SHIM 50X1",,2,,2,,,,,,,,,,,,,  
9,1,,22417-800630,, "COTTER PIN 8.0X63",,2,,2,,,,,,,,,,,,,  
10,1,,24761-040000,, "NIPPLE B,GREASE",,1,,1,,,,,,,,,,,,,  
11,1,,172125-81200,, "ARM (1620) ASSY",,,,,,1,,,,,,,,,,,,,  
11-1,1,,172125-81201,, "ARM (1620) ASSY",,,,,,1,N,,,,,M60557  
11-2,1,,172125-81202,, "ARM (1620) ASSY",,,,,,1,R,,,,,\*1988.10  
12,2,,172112-83500,, "PIN BUSH 45X60",,,,,,4,,,,,,,,,,,,,  
13,2,,172112-83530,, "SPACER 49.5X33",,,,,,2,,,,,,,,,,,,,  
14,2,,172112-83600,, "BUSH, ARM",,,,,,2,,,,,,,,,,,,,  
14-1,2,,172147-81450,, "BUSH 50X80",,,,,,2,S,,,,,M60557  
15,1,,172124-81300,, "ARM (1420) ASSY",,1,,,,,,,,,,,,,  
15-1,1,,172124-81301,, "ARM(1420)ASSY",,1,,,,,N,,,,,M60557,,,,,  
15-2,1,,172124-81302,, "ARM(1420)ASSY",,1,,,,,R,,,,,\*1988.10,,,,,  
16,2,,172112-83500,, "PIN BUSH 45X60",,,,,,4,,,,,,,,,,,,,  
17,2,,172112-83530,, "SPACER 49.5X33",,,,,,2,,,,,,,,,,,,,  
18,2,,172112-83600,, "BUSH, ARM",,2,,2,,,,,,,,,,,,,  
18-1,2,,172147-81450,, "BUSH 50X80",,2,,,,,S,,,,,M60557,,,,,  
19,1,,172124-81420,, "PIN (50-119)",,1,,1,,,,,,,,,,,,,  
20,1,,172124-81440,, "PIN 45-109, BOOM",,1,,1,,,,,,,,,,,,,  
21,1,,172112-87750,, "SEAL #DKIY 45X55X4",,,,,,4,,4,,,,,,,,,,,,,  
22,1,,172112-87820,, "SHIM 50X1",,1,,1,,,,,,,,,,,,,  
23,1,,172112-87840,, "SHIM 45X1",,1,,1,,,,,,,,,,,,,  
24,1,,22417-800630,, "COTTER PIN 8.0X63",,2,,2,,,,,,,,,,,,,  
25,1,,24761-040000,, "NIPPLE B,GREASE",,1,,1,,,,,,,,,,,,,  
26,1,,172124-81500,, "LINK, BUCKET",,1,,1,,,,,,,,,,,,,  
27,2,,172112-83500,, "PIN BUSH 45X60",,2,,2,,,,,,,,,,,,,  
28,2,,172112-86250,, "BUSH 45X39, PIN",,2,,2,,,,,,,,,,,,,  
29,1,,172124-81530,, "ARM (L), BUCKET",,1,,1,,,,,,,,,,,,,  
30,1,,172124-81540,, "ARM (R), BUCKET",,1,,1,,,,,,,,,,,,,  
31,1,,172112-87140,, "PIN, BUCKET ARM",,1,,1,,,,,,,,,,,,,  
32,1,,172112-87170,, "PIN, BUCKET ARM",,1,,1,,,,,,,,,,,,,  
33,1,,172112-87750,, "SEAL #DKIY 45X55X4",,,,,,6,,6,,,,,,,,,,,,,  
34,1,,24761-020000,, "NIPPLE PT1/8,GREASE",,2,,2,,,,,,,,,,,,,  
35,1,,24761-020000,, "NIPPLE PT1/8,GREASE",,1,,1,,,,,,,,,,,,,  
36,1,,933110-86600,, "NUT M24, NYLON",,2,,2,,,,,,,,,,,,,  
37,1,,933171-29760,, "WASHER",,2,,2,,,,,,,,,,,,,  
38,1,,172112-87101,, "PIN ASSY, BUCKET",,2,,2,,,,,,,,,,,,,  
39,1,,172112-87840,, "SHIM 45X1",,2,,2,,,,,,,,,,,,,  
40,1,,22417-800630,, "COTTER PIN 8.0X63",,2,,2,,,,,,,,,,,,,  
41,1,,24761-020000,, "NIPPLE PT1/8,GREASE",,2,,2,,,,,,,,,,,,,  
42,1,,172124-82300,, "BRACKET, BOOM",,1,,1,,,,,,,,,,,,,  
43,2,,172112-85601,, "BUSH 70X85",,2,,2,,,,,,,,,,,,,  
44,1,,172124-82320,, "PIN (50-369)",,1,,1,,,,,,,,,,,,,  
45,1,,172124-82340,, "PIN (50-152)",,1,,1,,,,,,,,,,,,,  
46,1,,172312-82340,, "PIN 40-123, BOOM",,1,,1,,,,,,,,,,,,,  
47,1,,172124-82360,, "PIN (70-422)",,1,,1,,,,,,,,,,,,,  
47-1,1,,172124-82361,, "PIN",,1,,1,N,,,,,M60531,,,,,M60531  
48,1,,172124-82370,, "PIN (40-107)",,1,,1,,,,,,,,,,,,,  
49,1,,172117-83970,, "PLATE(C),LOCK(YELLOW",,1,,1,,,,,,,,,,,,,  
50,1,,172112-87370,, "PLATE (A), LOCK",,1,,1,,,,,,,,,,,,,  
50-1,1,,172112-87371,, "PLATE (A), LOCK",,1,,1,N,,,,,M60531,,,,,M60531  
51,1,,172112-87800,, "SHIM 70X1",,2,,2,,,,,,,,,,,,,  
52,1,,172112-87810,, "SHIM 70X2",,2,,2,,,,,,,,,,,,,  
53,1,,172112-87820,, "SHIM 50X1",,8,,8,,,,,,,,,,,,,  
54,1,,172112-87830,, "SHIM 70X4",,2,,2,,,,,,,,,,,,,



SPEC. CODE  
 D72124-05710 D72125-81200  
 D72124-81100 D72124-81300  
 D72124-81110 D72125-81460  
 D72125-81120 D72124-82300  
 D72124-81200 D72124-82900

Fig. 58 ブーム&アーム  
 BOOM & ARM

COUNTRY	J	P	N	W	S	W	G	F	A	D	M	N	L
Fig. No.	57	58	58	58	58	58	58	58	58	58	58	58	58

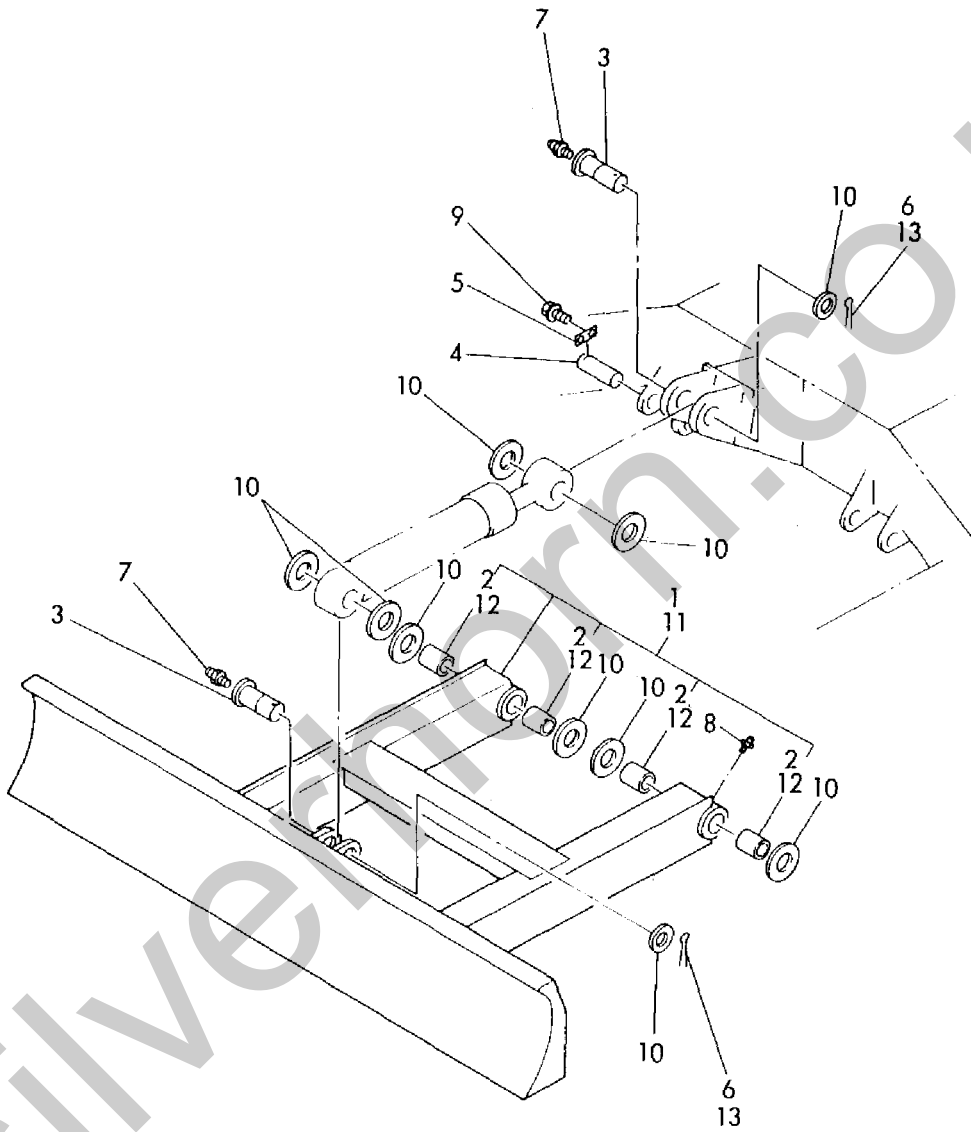


1,1,,172124-94100,, "BLADE ASSY",1,1,,1,1,,,,,,,,,,,,,  
 2,2,,172112-88400,, "BUSH 45X40",4,4,,4,4,,,,,,,,,,,,,  
 3,1,,172312-94260,, "PIN 45-119, BLADE",2,2,,2,2,,,,,,,,,,,,,  
 4,1,,172124-94300,, "PIN 45-157, BLADE",2,2,,2,2,,,,,,,,,,,,,  
 5,1,,172124-94310,, "PLATE, LOCK",2,2,,2,2,,,,,,,,,,,,,  
 6,1,,22417-800630,, "COTTER PIN 8.0X63",2,2,,2,2,,,,,,,,,,,,,  
 7,1,,24761-020000,, "NIPPLE PT1/8,GREASE",2,2,,2,2,,,,,,,,,,,,,  
 8,1,,24761-040000,, "NIPPLE B,GREASE",2,2,,2,2,,,,,,,,,,,,,  
 9,1,,26013-100302,, "BOLT M10X 30",4,4,,4,4,,,,,,,,,,,,,  
 9-1,1,,26013-100252,, "BOLT W/WASHER  
 M10X25",4,4,,4,4,,R,,, \*1988.12,, \*1988.12,,,, \*1988.12,, \*1988.12  
 10,1,,172112-87840,, "SHIM 45X1",10,10,,10,10,,,,,,,,,,,,,  
 11,1,,172124-94350,, "BLADE ASSY",,1,,,,,1,,,,,,,,,,,,,  
 12,2,,172112-88400,, "BUSH 45X40",,4,,,,,1,,,,,,,,,,,,,  
 13,1,,22417-800500,, "COTTER PIN 8.0X50",,2,,,,,1,,,,,,,,,,,,,

Silverhorn.CO.UK

Fig. 59 ブレード  
BLADE

SPEC. CODE  
D72124-94100  
D72124-94110

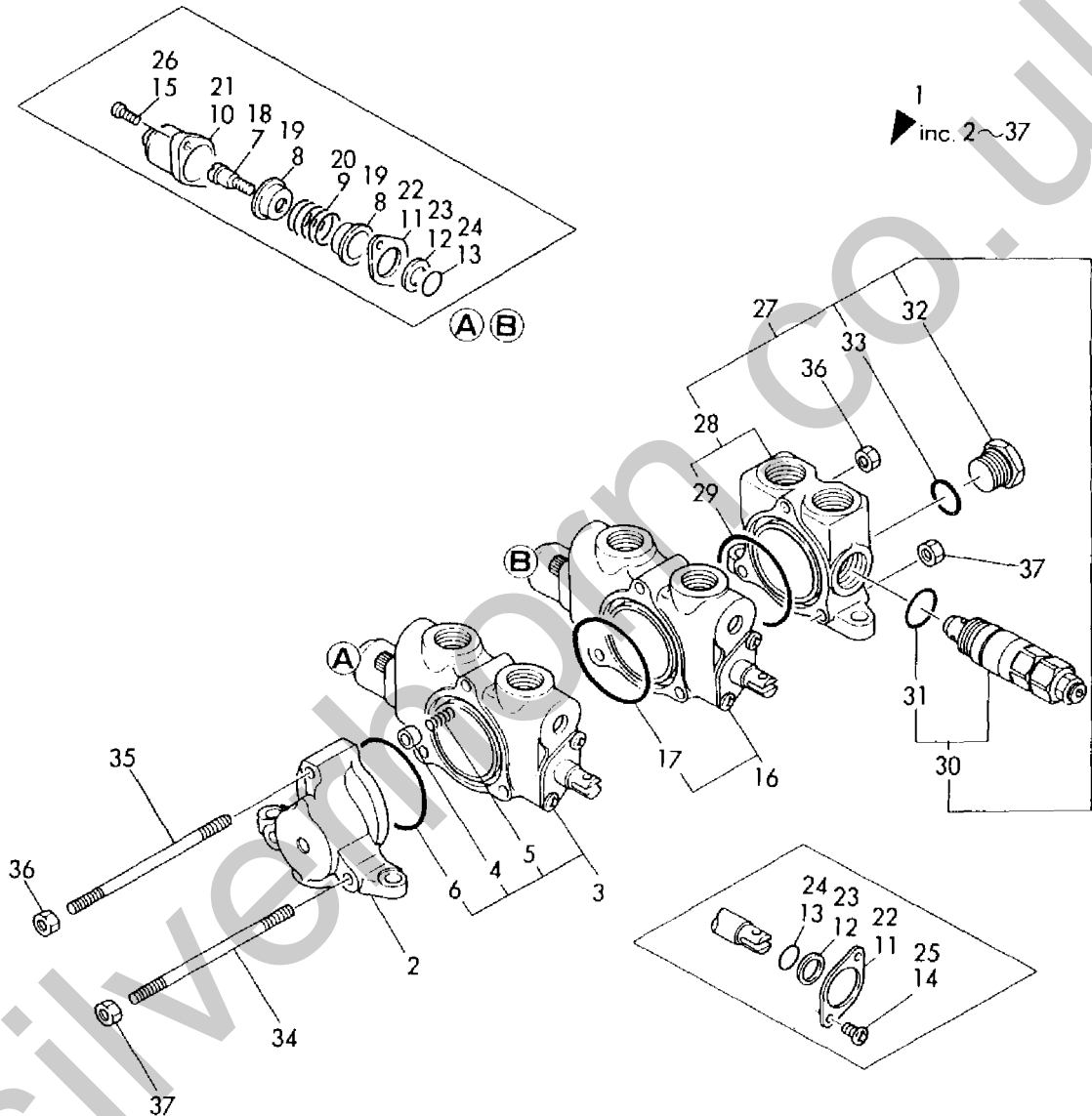




1,1,,172124-74110,, "VALVE 2 ASSY,CONTROL",1,1,,1,1,,,,,,,,,,,,,  
2,2,,172124-74300,, "OUTLET SECTION ASSY",1,1,,1,1,,,,,,,,,,,,,  
2-1,2,,933171-80420,, "SECTION,  
OUTLET",1,1,,1,1,,S,,, \*1986.02,, \*1986.02,,,, \*1986.02,, \*1986.02  
3,2,,172124-74280,, "SPOOL SECTION ASSY",1,1,,1,1,,,,,,,,,,,,,  
4,3,,172122-74130,, POPPET,1,1,,1,1,,,,,,,,,,,,,  
5,3,,172112-06330,, "SPRING,CONTROL VALVE",1,1,,1,1,,,,,,,,,,,,,  
5-1,3,,172113-  
74190,, SPRING,1,1,,1,1,,S,,, \*1985.02,, \*1985.02,,,, \*1985.02,, \*1985.02  
6,3,,933171-80590,, O-RING,1,1,,1,1,,,,,,,,,,,,,  
7,3,,933166-80550,, "SCREW, CAP",1,1,,1,1,,,,,,,,,,,,,  
8,3,,933171-80510,, "SEAT, SPRING",2,2,,2,2,,,,,,,,,,,,,  
9,3,,172122-74050,, SPRING,1,1,,1,1,,,,,,,,,,,,,  
9-1,3,,933171-  
80540,, SPRING,1,1,,1,1,,S,,, \*1985.02,, \*1985.02,,,, \*1985.02,, \*1985.02  
10,3,,933166-80530,, CAP,1,1,,1,1,,,,,,,,,,,,,  
11,3,,172116-74190,, "PLATE, SEAL",2,2,,2,2,,,,,,,,,,,,,  
12,3,,933166-80520,, WIPER,2,2,,2,2,,,,,,,,,,,,,  
13,3,,933171-80610,, O-RING,2,2,,2,2,,,,,,,,,,,,,  
14,3,,172116-74220,, SCREW,2,2,,2,2,,,,,,,,,,,,,  
15,3,,172116-74230,, "HEAD BOLT, SOCKET",2,2,,2,2,,,,,,,,,,,,,  
16,2,,172124-74290,, "SPOOL SECTION ASSY",1,1,,1,1,,,,,,,,,,,,,  
17,3,,933171-80590,, O-RING,1,1,,1,1,,,,,,,,,,,,,  
18,3,,933166-80550,, "SCREW, CAP",1,1,,1,1,,,,,,,,,,,,,  
19,3,,933171-80510,, "SEAT, SPRING",2,2,,2,2,,,,,,,,,,,,,  
20,3,,172122-74050,, SPRING,1,1,,1,1,,,,,,,,,,,,,  
20-1,3,,933171-  
80540,, SPRING,1,1,,1,1,,S,,, \*1985.02,, \*1985.02,,,, \*1985.02,, \*1985.02  
21,3,,933166-80530,, CAP,1,1,,1,1,,,,,,,,,,,,,  
22,3,,172116-74190,, "PLATE, SEAL",2,2,,2,2,,,,,,,,,,,,,  
23,3,,933166-80520,, WIPER,2,2,,2,2,,,,,,,,,,,,,  
24,3,,933171-80610,, O-RING,2,2,,2,2,,,,,,,,,,,,,  
25,3,,172116-74220,, SCREW,2,2,,2,2,,,,,,,,,,,,,  
26,3,,172116-74230,, "HEAD BOLT, SOCKET",2,2,,2,2,,,,,,,,,,,,,  
27,2,,172124-74070,, "SECTION ASSY, V",1,1,,1,1,,,,,,,,,,,,,  
28,3,,172124-74310,, "SECTION ASSY, INLET",1,1,,1,1,,,,,,,,,,,,,  
29,4,,933171-80590,, O-RING,1,1,,1,1,,,,,,,,,,,,,  
30,3,,172124-74160,, "VALVE ASSY, RELIEF",1,1,,1,1,,,,,,,,,,,,,  
30-1,3,,172124-74370,, "VALVE,  
RELIEF",1,1,,1,1,,S,,, \*1986.02,, \*1986.02,,,, \*1986.02,, \*1986.02  
31,4,,172116-74150,, O-RING,1,1,,1,1,,,,,,,,,,,,,  
32,3,,172124-74270,, "PLUG ASSY",1,1,,1,1,,,,,,,,,,,,,  
32-1,3,,172116-  
74320,, PLUG,1,1,,1,1,,S,,, \*1986.02,, \*1986.02,,,, \*1986.02,, \*1986.02  
33,3,,172116-74150,, O-RING,1,1,,1,1,,,,,,,,,,,,,  
34,2,,172124-74320,, TIE-ROD,2,2,,2,2,,,,,,,,,,,,,  
34-1,2,,172122-74230,, TIE-  
ROD,2,2,,2,2,,R,,, \*1986.02,, \*1986.02,,,, \*1986.02,, \*1986.02  
35,2,,172124-74330,, TIE-ROD,1,1,,1,1,,,,,,,,,,,,,  
36,2,,172124-74140,, NUT,2,2,,2,2,,,,,,,,,,,,,  
36-1,2,,26716-100002,, "NUT  
M10",2,2,,2,2,,R,,, \*1986.02,, \*1986.02,,,, \*1986.02,, \*1986.02  
37,2,,172124-74150,, NUT,4,4,,4,4,,,,,,,,,,,,,  
37-1,2,,26716-080002,, "NUT M  
8",4,4,,4,4,,R,,, \*1986.02,, \*1986.02,,,, \*1986.02,, \*1986.02

Fig. **60** コントロールバルブ(ブレード)  
CONTROL VALVE (BLADE)

SPEC. CODE  
D72124-74100



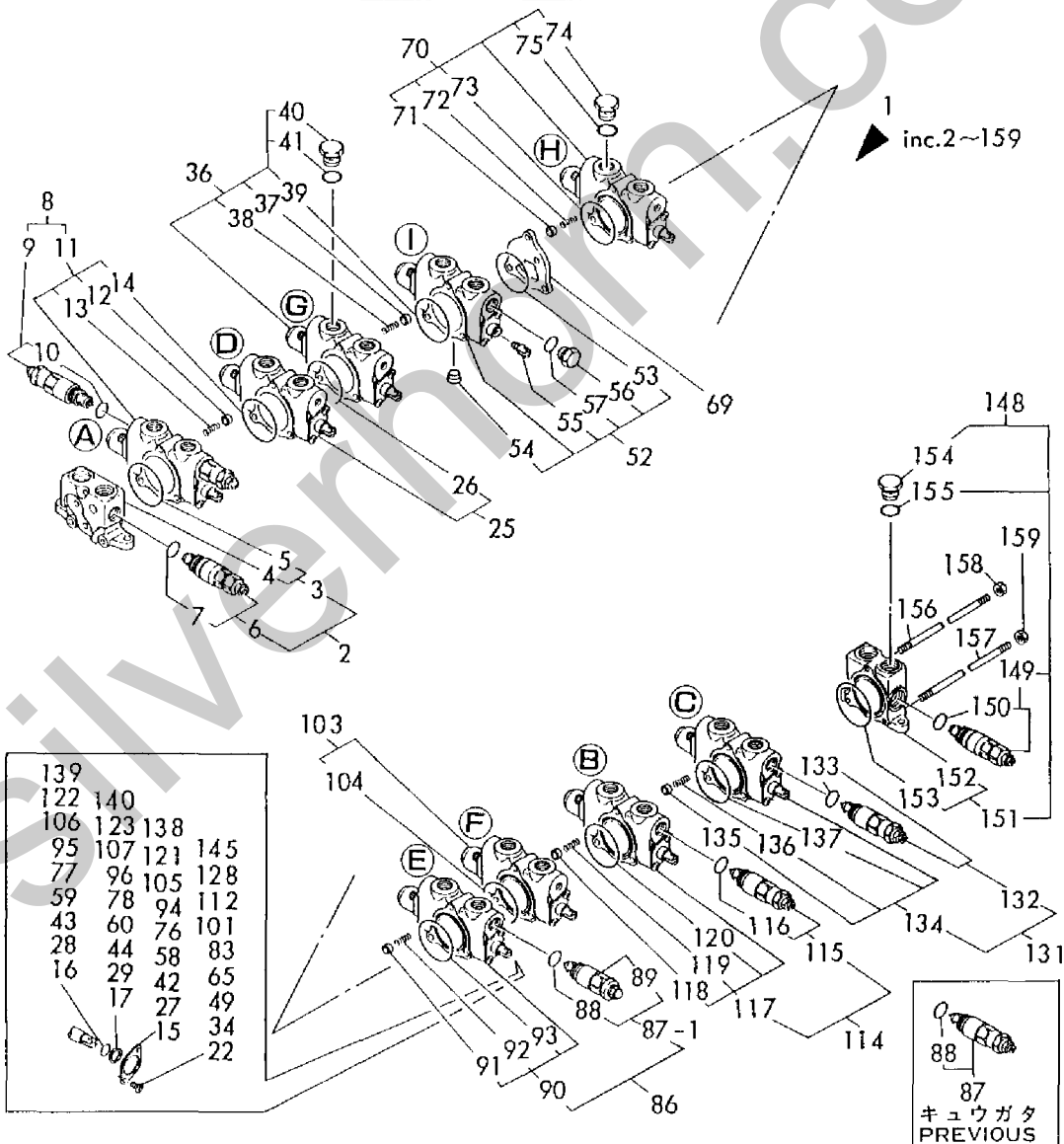
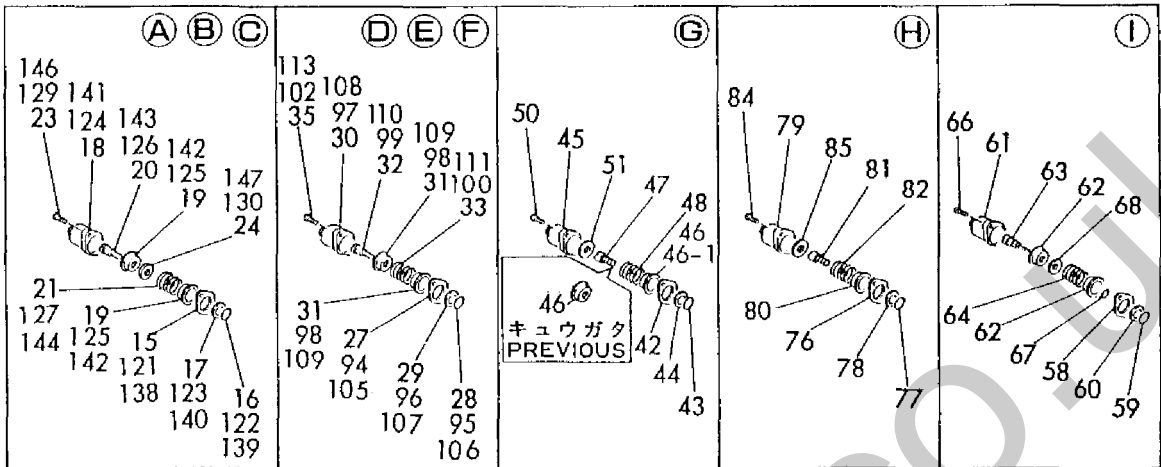
1,1,,172124-74100,, "VALVE 9 ASSY,CONTROL",1,1,,1,1,,,,,,,,,,,,,  
2,2,,172124-74060,, "SECTION ASSY, VALVE",1,1,,1,1,,,,,,,,,,,,,  
3,3,,172116-74160,, "SECTION, INLET",1,1,,1,1,,,,,,,,,,,,,  
3-1,3,,172122-74520,, "SECTION,  
INLET",1,1,,1,1,,S,,, \*1986.02,, \*1986.02,,,, \*1986.02,, \*1986.02  
4,4,,172122-74590,, "HOUSING, INLET",1,1,,1,1,,,,,,,,,,,,,  
5,4,,933171-80590,, O-RING,1,1,,1,1,,,,,,,,,,,,,  
6,3,,172124-74160,, "VALVE ASSY, RELIEF",1,1,,1,1,,,,,,,,,,,,,  
7,4,,172116-74150,, O-RING,1,1,,1,1,,,,,,,,,,,,,  
8,2,,172124-74050,, "SECTION ASSY, VALVE",1,1,,1,1,,,,,,,,,,,,,  
9,3,,172116-74130,, "VALVE (200KG/CM2)",2,2,,2,2,,,,,,,,,,,,,  
9-1,3,,172124-74360,, "VALVE,  
RELIEF",2,2,,2,2,,S,,, \*1986.02,, \*1986.02,,,, \*1986.02,, \*1986.02  
10,4,,172116-74150,, O-RING,2,2,,2,2,,,,,,,,,,,,,  
11,3,,172124-74170,, "SECTION ASSY, SPOOL",1,1,,1,1,,,,,,,,,,,,,  
12,4,,172122-74130,, POPPET,1,1,,1,1,,,,,,,,,,,,,  
13,4,,172117-06330,, SPRING,1,1,,1,1,,,,,,,,,,,,,  
13-1,4,,172113-  
74190,, SPRING,1,1,,1,1,,S,,, \*1985.02,, \*1985.02,,,, \*1985.02,, \*1985.02  
14,4,,933171-80590,, O-RING,1,1,,1,1,,,,,,,,,,,,,  
15,4,,172116-74190,, "PLATE, SEAL",2,2,,2,2,,,,,,,,,,,,,  
16,4,,933171-80610,, O-RING,2,2,,2,2,,,,,,,,,,,,,  
17,4,,933166-80520,, WIPER,2,2,,2,2,,,,,,,,,,,,,  
18,4,,933166-80530,, CAP,1,1,,1,1,,,,,,,,,,,,,  
19,4,,933171-80510,, "SEAT, SPRING",2,2,,2,2,,,,,,,,,,,,,  
20,4,,933166-80550,, "SCREW, CAP",1,1,,1,1,,,,,,,,,,,,,  
21,4,,172122-74050,, SPRING,1,1,,1,1,,,,,,,,,,,,,  
22,4,,172116-74220,, SCREW,2,2,,2,2,,,,,,,,,,,,,  
23,4,,172116-74230,, "HEAD BOLT, SOCKET",2,2,,2,2,,,,,,,,,,,,,  
24,4,,172124-74260,, WASHER,1,1,,1,1,,,,,,,,,,,,,  
25,2,,172124-74180,, "SECTION ASSY, SPOOL",1,1,,1,1,,,,,,,,,,,,,  
26,3,,933171-80590,, O-RING,1,1,,1,1,,,,,,,,,,,,,  
27,3,,172116-74190,, "PLATE, SEAL",2,2,,2,2,,,,,,,,,,,,,  
28,3,,933171-80610,, O-RING,2,2,,2,2,,,,,,,,,,,,,  
29,3,,933166-80520,, WIPER,2,2,,2,2,,,,,,,,,,,,,  
30,3,,933166-80530,, CAP,1,1,,1,1,,,,,,,,,,,,,  
31,3,,933171-80510,, "SEAT, SPRING",2,2,,2,2,,,,,,,,,,,,,  
32,3,,933166-80550,, "SCREW, CAP",1,1,,1,1,,,,,,,,,,,,,  
33,3,,172122-74050,, SPRING,1,1,,1,1,,,,,,,,,,,,,  
34,3,,172116-74220,, SCREW,2,2,,2,2,,,,,,,,,,,,,  
35,3,,172116-74230,, "HEAD BOLT, SOCKET",2,2,,2,2,,,,,,,,,,,,,  
36,2,,172124-74190,, "SECTION ASSY, SPOOL",1,1,,1,1,,,,,,,,,,,,,  
37,3,,172122-74130,, POPPET,1,1,,1,1,,,,,,,,,,,,,  
38,3,,172112-06330,, "SPRING,CONTROL VALVE",2,2,,2,2,,,,,,,,,,,,,  
38-1,3,,172113-  
74190,, SPRING,1,1,,1,1,,S,,, \*1985.02,, \*1985.02,,,, \*1985.02,, \*1985.02  
39,3,,933171-80590,, O-RING,1,1,,1,1,,,,,,,,,,,,,  
40,3,,172124-74250,, "PLUG ASSY",1,1,,1,1,,,,,,,,,,,,,  
40-1,3,,172112-  
06480,, PLUG,1,1,,1,1,,S,,, \*1986.02,, \*1986.02,,,, \*1986.02,, \*1986.02  
41,3,,172112-06490,, O-RING,1,1,,1,1,,,,,,,,,,,,,  
42,3,,172116-74190,, "PLATE, SEAL",2,2,,2,2,,,,,,,,,,,,,  
43,3,,172112-06370,, O-RING,2,2,,2,2,,,,,,,,,,,,,  
43-1,3,,933171-80610,, O-  
RING,2,2,,2,2,,N,,, \*1986.07,, \*1986.07,,,, \*1986.07,, \*1986.07  
44,3,,933166-80520,, WIPER,2,2,,2,2,,,,,,,,,,,,,  
45,3,,933166-80530,, CAP,1,1,,1,1,,,,,,,,,,,,,  
46,3,,933171-80510,, "SEAT, SPRING",2,2,,2,2,,,,,,,,,,,,,  
46-1,3,,933171-80510,, "SEAT,  
SPRING",1,1,,1,1,,K,,, \*1986.07,, \*1986.07,,,, \*1986.07,, \*1986.07  
47,3,,172116-74380,, "SCREW, CAP",1,1,,1,1,,,,,,,,,,,,,  
48,3,,172122-74050,, SPRING,1,1,,1,1,,,,,,,,,,,,,  
49,3,,172116-74220,, SCREW,2,2,,2,2,,,,,,,,,,,,,

50,3,,172116-74230,, "HEAD BOLT, SOCKET",2,2,,2,2,,,,,,,,,,,,,  
51,3,,172116-74390,,SPACER,1,1,,1,1,,,,,,,,,,,,,  
52,2,,172122-74160,, "SECTION ASSY, SPOOL",1,1,,1,1,,,,,,,,,,,,,  
53,3,,933171-80590,,O-RING,1,1,,1,1,,,,,,,,,,,,,  
54,3,,23871-030000,, "PLUG PT3/8,SCREW",1,1,,1,1,,,,,,,,,,,,,  
55,3,,172122-74190,, "HEAD, SPOOL",1,1,,1,1,,,,,,,,,,,,,  
56,3,,172116-74420,,PLUG,1,1,,1,1,,,,,,,,,,,,,  
57,3,,172116-74430,,O-RING,1,1,,1,1,,,,,,,,,,,,,  
58,3,,172116-74190,, "PLATE, SEAL",1,1,,1,1,,,,,,,,,,,,,  
59,3,,933171-80610,,O-RING,2,2,,2,2,,,,,,,,,,,,,  
60,3,,933166-80520,,WIPER,2,2,,2,2,,,,,,,,,,,,,  
61,3,,933166-80530,,CAP,1,1,,1,1,,,,,,,,,,,,,  
62,3,,933171-80510,, "SEAT, SPRING",2,2,,2,2,,,,,,,,,,,,,  
63,3,,172122-74040,, "SCREW, CAP",1,1,,1,1,,,,,,,,,,,,,  
64,3,,933171-80540,,SPRING,1,1,,1,1,,,,,,,,,,,,,  
65,3,,172116-74220,,SCREW,2,2,,2,2,,,,,,,,,,,,,  
66,3,,172116-74230,, "HEAD BOLT, SOCKET",2,2,,2,2,,,,,,,,,,,,,  
67,3,,172122-74270,,O-RING,2,2,,2,2,,,,,,,,,,,,,  
68,3,,172122-74120,,WASHER,1,1,,1,1,,,,,,,,,,,,,  
69,2,,172122-74070,,SPACER,1,1,,1,1,,,,,,,,,,,,,  
70,2,,172124-74200,, "SECTION ASSY, SPOOL",1,1,,1,1,,,,,,,,,,,,,  
71,3,,172122-74130,,POPPET,1,1,,1,1,,,,,,,,,,,,,  
72,3,,172112-06330,, "SPRING,CONTROL VALVE",1,1,,1,1,,,,,,,,,,,,,  
72-1,3,,172113-  
74190,,SPRING,1,1,,1,1,,S,,,\*1985.02,,\*1985.02,,,,\*1985.02,,\*1985.02  
73,3,,933171-80590,,O-RING,1,1,,1,1,,,,,,,,,,,,,  
74,3,,172112-06480,,PLUG,1,1,,1,1,,,,,,,,,,,,,  
75,3,,172112-06490,,O-RING,1,1,,1,1,,,,,,,,,,,,,  
76,3,,172116-74190,, "PLATE, SEAL",2,2,,2,2,,,,,,,,,,,,,  
77,3,,933171-80610,,O-RING,2,2,,2,2,,,,,,,,,,,,,  
78,3,,933166-80520,,WIPER,2,2,,2,2,,,,,,,,,,,,,  
79,3,,933166-80530,,CAP,1,1,,1,1,,,,,,,,,,,,,  
80,3,,933171-80510,, "SEAT, SPRING",1,1,,1,1,,,,,,,,,,,,,  
81,3,,172116-74380,, "SCREW, CAP",1,1,,1,1,,,,,,,,,,,,,  
82,3,,172122-74050,,SPRING,1,1,,1,1,,,,,,,,,,,,,  
83,3,,172116-74220,,SCREW,2,2,,2,2,,,,,,,,,,,,,  
84,3,,172116-74230,, "HEAD BOLT, SOCKET",2,2,,2,2,,,,,,,,,,,,,  
85,3,,172116-74390,,SPACER,1,1,,1,1,,,,,,,,,,,,,  
86,2,,172124-74040,, "SECTION ASSY, V",1,1,,1,1,,,,,,,,,,,,,  
87,3,,172116-74130,, "VALVE (200KG/CM2)",2,2,,2,2,,,,,,,,,,,,,  
87-1,3,,172124-75350,, "VALVE,  
RELIEF",2,2,,2,2,,S,,,\*1986.02,,\*1986.02,,,,\*1986.02,,\*1986.02  
88,4,,172116-74150,,O-RING,2,2,,2,2,,,,,,,,,,,,,  
89,4,,172124-74380,, "CAP NUT",2,2,,2,2,,,,,,,,,,,,,  
90,3,,172124-74210,, "SECTION ASSY, SPOOL",1,1,,1,1,,,,,,,,,,,,,  
91,4,,172122-74130,,POPPET,1,1,,1,1,,,,,,,,,,,,,  
92,4,,172113-74190,,SPRING,1,1,,1,1,,,,,,,,,,,,,  
93,4,,933171-80590,,O-RING,1,1,,1,1,,,,,,,,,,,,,  
94,4,,172116-74190,, "PLATE, SEAL",2,2,,2,2,,,,,,,,,,,,,  
95,4,,933171-80610,,O-RING,2,2,,2,2,,,,,,,,,,,,,  
96,4,,933166-80520,,WIPER,2,2,,2,2,,,,,,,,,,,,,  
97,4,,933166-80530,,CAP,1,1,,1,1,,,,,,,,,,,,,  
98,4,,933171-80510,, "SEAT, SPRING",2,2,,2,2,,,,,,,,,,,,,  
99,4,,933166-80550,, "SCREW, CAP",1,1,,1,1,,,,,,,,,,,,,  
100,4,,933171-80540,,SPRING,1,1,,1,1,,,,,,,,,,,,,  
101,4,,172116-74220,,SCREW,2,2,,2,2,,,,,,,,,,,,,  
102,4,,172116-74230,, "HEAD BOLT, SOCKET",2,2,,2,2,,,,,,,,,,,,,  
103,2,,172124-74220,, "SECTION ASSY, SPOOL",1,1,,1,1,,,,,,,,,,,,,  
104,3,,933171-80590,,O-RING,1,1,,1,1,,,,,,,,,,,,,  
105,3,,172116-74190,, "PLATE, SEAL",2,2,,2,2,,,,,,,,,,,,,  
106,3,,933171-80610,,O-RING,2,2,,2,2,,,,,,,,,,,,,  
107,3,,933166-80520,,WIPER,2,2,,2,2,,,,,,,,,,,,,  
108,3,,933166-80530,,CAP,1,1,,1,1,,,,,,,,,,,,,

109,3,,933171-80510,, "SEAT, SPRING",2,2,,2,2,,,,,,,,,,,,,  
110,3,,933166-80550,, "SCREW, CAP",1,1,,1,1,,,,,,,,,,,,,  
111,3,,172122-74050,, SPRING,1,1,,1,1,,,,,,,,,,,,,  
112,3,,172116-74220,, SCREW,2,2,,2,2,,,,,,,,,,,,,  
113,3,,172116-74230,, "HEAD BOLT, SOCKET",2,2,,2,2,,,,,,,,,,,,,  
114,2,,172124-74030,, "SECTION ASSY, V",1,1,,1,1,,,,,,,,,,,,,  
115,3,,172116-74130,, "VALVE (200KG/CM2)",2,2,,2,2,,,,,,,,,,,,,  
115-1,3,,172124-74360,, "VALVE,  
RELIEF",2,2,,2,2,,S,,, \*1986.02,, \*1986.02,,,, \*1986.02,, \*1986.02  
116,4,,172116-74150,, O-RING,2,2,,2,2,,,,,,,,,,,,,  
117,3,,172124-74230,, "SECTION ASSY, SPOOL",1,1,,1,1,,,,,,,,,,,,,  
118,4,,172122-74130,, POPPET,1,1,,1,1,,,,,,,,,,,,,  
119,4,,172113-74190,, SPRING,1,1,,1,1,,,,,,,,,,,,,  
120,4,,933171-80590,, O-RING,1,1,,1,1,,,,,,,,,,,,,  
121,4,,172116-74190,, "PLATE, SEAL",2,2,,2,2,,,,,,,,,,,,,  
122,4,,933171-80610,, O-RING,2,2,,2,2,,,,,,,,,,,,,  
123,4,,933166-80520,, WIPER,2,2,,2,2,,,,,,,,,,,,,  
124,4,,933166-80530,, CAP,1,1,,1,1,,,,,,,,,,,,,  
125,4,,933171-80510,, "SEAT, SPRING",2,2,,2,2,,,,,,,,,,,,,  
126,4,,933166-80550,, "SCREW, CAP",1,1,,1,1,,,,,,,,,,,,,  
127,4,,933171-80540,, SPRING,1,1,,1,1,,,,,,,,,,,,,  
128,4,,172116-74220,, SCREW,2,2,,2,2,,,,,,,,,,,,,  
129,4,,172116-74230,, "HEAD BOLT, SOCKET",2,2,,2,2,,,,,,,,,,,,,  
130,4,,172124-74260,, WASHER,1,1,,1,1,,,,,,,,,,,,,  
131,2,,172124-74020,, "SECTION ASSY, V",1,1,,1,1,,,,,,,,,,,,,  
132,3,,172116-74130,, "VALVE (200KG/CM2)",2,2,,2,2,,,,,,,,,,,,,  
132-1,3,,172124-74360,, "VALVE,  
RELIEF",1,1,,1,1,,S,,, \*1986.02,, \*1986.02,,,, \*1986.02,, \*1986.02  
133,4,,172116-74150,, O-RING,2,2,,2,2,,,,,,,,,,,,,  
134,3,,172124-74240,, "SPOOL SECTION ASSY",1,1,,1,1,,,,,,,,,,,,,  
135,4,,172122-74130,, POPPET,1,1,,1,1,,,,,,,,,,,,,  
136,4,,172112-06330,, "SPRING, CONTROL VALVE",1,1,,1,1,,,,,,,,,,,,,  
136-1,4,,172113-  
74190,, SPRING,1,1,,1,1,,S,,, \*1985.02,, \*1985.02,,,, \*1985.02,, \*1985.02  
137,4,,933171-80590,, O-RING,1,1,,1,1,,,,,,,,,,,,,  
138,4,,172116-74190,, "PLATE, SEAL",2,2,,2,2,,,,,,,,,,,,,  
139,4,,933171-80610,, O-RING,2,2,,2,2,,,,,,,,,,,,,  
140,4,,933166-80520,, WIPER,2,2,,2,2,,,,,,,,,,,,,  
141,4,,933166-80530,, CAP,1,1,,1,1,,,,,,,,,,,,,  
142,4,,933171-80510,, "SEAT, SPRING",2,2,,2,2,,,,,,,,,,,,,  
143,4,,933166-80550,, "SCREW, CAP",1,1,,1,1,,,,,,,,,,,,,  
144,4,,933171-80540,, SPRING,1,1,,1,1,,,,,,,,,,,,,  
145,4,,172116-74220,, SCREW,2,2,,2,2,,,,,,,,,,,,,  
146,4,,172116-74230,, "HEAD BOLT, SOCKET",2,2,,2,2,,,,,,,,,,,,,  
147,4,,172124-74260,, WASHER,1,1,,1,1,,,,,,,,,,,,,  
148,2,,172124-74010,, "SECTION ASSY, V",1,1,,1,1,,,,,,,,,,,,,  
149,3,,172124-74160,, "VALVE ASSY, RELIEF",1,1,,1,1,,,,,,,,,,,,,  
150,4,,172116-74150,, O-RING,1,1,,1,1,,,,,,,,,,,,,  
151,3,,172116-74170,, "SECTION, INLET",1,1,,1,1,,,,,,,,,,,,,  
151-1,3,,172122-74530,, "SECTION,  
INLET",1,1,,1,1,,S,,, \*1986.02,, \*1986.02,,,, \*1986.02,, \*1986.02  
152,4,,172122-74580,, "HOUSING, INLET",1,1,,1,1,,,,,,,,,,,,,  
153,4,,933171-80590,, O-RING,1,1,,1,1,,,,,,,,,,,,,  
154,3,,172116-74320,, PLUG,1,1,,1,1,,,,,,,,,,,,,  
155,3,,172116-74150,, O-RING,1,1,,1,1,,,,,,,,,,,,,  
156,2,,172124-74120,, TIE-ROD,1,1,,1,1,,,,,,,,,,,,,  
157,2,,172124-74130,, TIE-ROD,2,2,,2,2,,,,,,,,,,,,,  
158,2,,172124-74140,, NUT,2,2,,2,2,,,,,,,,,,,,,  
158-1,2,,26716-100002,, "NUT  
M10",2,2,,2,2,,R,,, \*1986.02,, \*1986.02,,,, \*1986.02,, \*1986.02  
159,2,,172124-74150,, NUT,4,4,,4,4,,,,,,,,,,,,,  
159-1,2,,26716-080002,, "NUT M  
8",4,4,,4,4,,R,,, \*1986.02,, \*1986.02,,,, \*1986.02,, \*1986.02

Fig. **61** コントロールバルブ(メイン)  
CONTROL VALVE (MAIN)

SPEC. CODE  
D72124-74100



1,1,,172132-74100,, "VALVE 9 ASSY,CONTROL",1,1,,1,1,,1,,,,,,,,,  
2,2,,172124-74060,, "SECTION ASSY, VALVE",1,1,,1,1,,,,,,,,,  
3,3,,172116-74160,, "SECTION, INLET",1,1,,1,1,,,,,,,,,  
3-1,3,,172122-74520,, "SECTION,  
INLET",1,1,,1,1,,S,,, \*1986.02,, \*1986.02,,,, \*1986.02,, \*1986.02  
4,4,,172122-74590,, "HOUSING, INLET",1,1,,1,1,,,,,,,,,  
5,4,,933171-80590,, O-RING,1,1,,1,1,,,,,,,,,  
6,3,,172124-74160,, "VALVE ASSY, RELIEF",1,1,,1,1,,,,,,,,,  
7,4,,172116-74150,, O-RING,1,1,,1,1,,,,,,,,,  
8,2,,172124-74050,, "SECTION ASSY, VALVE",1,1,,1,1,,,,,,,,,  
9,3,,172116-74130,, "VALVE (200KG/CM2)",2,2,,2,2,,,,,,,,,  
9-1,3,,172124-74360,, "VALVE,  
RELIEF",2,2,,2,2,,S,,, \*1986.02,, \*1986.02,,,, \*1986.02,, \*1986.02  
10,4,,172116-74150,, O-RING,2,2,,2,2,,,,,,,,,  
11,3,,172124-74170,, "SECTION ASSY, SPOOL",1,1,,1,1,,,,,,,,,  
12,4,,172122-74130,, POPPET,1,1,,1,1,,,,,,,,,  
13,4,,172113-74190,, SPRING,1,1,,1,1,,,,,,,,,  
14,4,,933171-80590,, O-RING,1,1,,1,1,,,,,,,,,  
15,4,,172116-74190,, "PLATE, SEAL",2,2,,2,2,,,,,,,,,  
16,4,,933171-80610,, O-RING,2,2,,2,2,,,,,,,,,  
17,4,,933166-80520,, WIPER,2,2,,2,2,,,,,,,,,  
18,4,,933166-80530,, CAP,1,1,,1,1,,,,,,,,,  
19,4,,933171-80510,, "SEAT, SPRING",2,2,,2,2,,,,,,,,,  
20,4,,933166-80550,, "SCREW, CAP",1,1,,1,1,,,,,,,,,  
21,4,,172122-74050,, SPRING,1,1,,1,1,,,,,,,,,  
22,4,,172116-74220,, SCREW,2,2,,2,2,,,,,,,,,  
23,4,,172116-74230,, "HEAD BOLT, SOCKET",2,2,,2,2,,,,,,,,,  
24,4,,172124-74260,, WASHER,1,1,,1,1,,,,,,,,,  
25,2,,172124-74180,, "SECTION ASSY, SPOOL",1,1,,1,1,,,,,,,,,  
26,3,,933171-80590,, O-RING,1,1,,1,1,,,,,,,,,  
27,3,,172116-74190,, "PLATE, SEAL",2,2,,2,2,,,,,,,,,  
28,3,,933171-80610,, O-RING,2,2,,2,2,,,,,,,,,  
29,3,,933166-80520,, WIPER,2,2,,2,2,,,,,,,,,  
30,3,,933166-80530,, CAP,1,1,,1,1,,,,,,,,,  
31,3,,933171-80510,, "SEAT, SPRING",2,2,,2,2,,,,,,,,,  
32,3,,933166-80550,, "SCREW, CAP",1,1,,1,1,,,,,,,,,  
33,3,,172122-74050,, SPRING,1,1,,1,1,,,,,,,,,  
34,3,,172116-74220,, SCREW,2,2,,2,2,,,,,,,,,  
35,3,,172116-74230,, "HEAD BOLT, SOCKET",2,2,,2,2,,,,,,,,,  
36,2,,172124-74190,, "SECTION ASSY, SPOOL",1,1,,1,1,,,,,,,,,  
37,3,,172122-74130,, POPPET,1,1,,1,1,,,,,,,,,  
38,3,,172113-74190,, SPRING,1,1,,1,1,,,,,,,,,  
39,3,,933171-80590,, O-RING,1,1,,1,1,,,,,,,,,  
40,3,,172124-74250,, "PLUG ASSY",1,1,,1,1,,,,,,,,,  
40-1,3,,172112-  
06480,, PLUG,1,1,,1,1,,S,,, \*1986.02,, \*1986.02,,,, \*1986.02,, \*1986.02  
41,3,,172112-06490,, O-RING,1,1,,1,1,,,,,,,,,  
42,3,,172116-74190,, "PLATE, SEAL",2,2,,2,2,,,,,,,,,  
43,3,,172112-06370,, O-RING,2,2,,2,2,,,,,,,,,  
43-1,3,,933171-80610,, O-  
RING,2,2,,2,2,,N,,, \*1986.07,, \*1986.07,,,, \*1986.07,, \*1986.07  
44,3,,933166-80520,, WIPER,2,2,,2,2,,,,,,,,,  
45,3,,933166-80530,, CAP,1,1,,1,1,,,,,,,,,  
46,3,,933171-80510,, "SEAT, SPRING",2,2,,2,2,,,,,,,,,  
46-1,3,,933171-80510,, "SEAT,  
SPRING",1,1,,1,1,,K,,, \*1986.07,, \*1986.07,,,, \*1986.07,, \*1986.07  
47,3,,172116-74380,, "SCREW, CAP",1,1,,1,1,,,,,,,,,  
48,3,,172122-74050,, SPRING,1,1,,1,1,,,,,,,,,  
49,3,,172116-74220,, SCREW,2,2,,2,2,,,,,,,,,  
50,3,,172116-74230,, "HEAD BOLT, SOCKET",2,2,,2,2,,,,,,,,,  
51,3,,172116-  
74390,, SPACER,1,1,,1,1,,W,,, \*1986.07,, \*1986.07,,,, \*1986.07,, \*1986.07  
52,2,,172122-74160,, "SECTION ASSY, SPOOL",1,1,,1,1,,,,,,,,,

53,3,,933171-80590,,O-RING,1,1,,1,1,,,,,,,,,,,,,  
54,3,,23871-030000,, "PLUG PT3/8,SCREW",1,1,,1,1,,,,,,,,,,,,,  
55,3,,172122-74190,, "HEAD, SPOOL",1,1,,1,1,,,,,,,,,,,,,  
56,3,,172116-74420,, PLUG,1,1,,1,1,,,,,,,,,,,,,  
57,3,,172116-74430,, O-RING,1,1,,1,1,,,,,,,,,,,,,  
58,3,,172116-74190,, "PLATE, SEAL",1,1,,1,1,,,,,,,,,,,,,  
59,3,,933171-80610,, O-RING,2,2,,2,2,,,,,,,,,,,,,  
60,3,,933166-80520,, WIPER,2,2,,2,2,,,,,,,,,,,,,  
61,3,,933166-80530,, CAP,1,1,,1,1,,,,,,,,,,,,,  
62,3,,933171-80510,, "SEAT, SPRING",2,2,,2,2,,,,,,,,,,,,,  
63,3,,172122-74040,, "SCREW, CAP",1,1,,1,1,,,,,,,,,,,,,  
64,3,,933171-80540,, SPRING,1,1,,1,1,,,,,,,,,,,,,  
65,3,,172116-74220,, SCREW,2,2,,2,2,,,,,,,,,,,,,  
66,3,,172116-74230,, "HEAD BOLT, SOCKET",2,2,,2,2,,,,,,,,,,,,,  
67,3,,172122-74270,, O-RING,1,1,,1,1,,,,,,,,,,,,,  
68,3,,172122-74120,, WASHER,1,1,,1,1,,,,,,,,,,,,,  
69,2,,172122-74070,, SPACER,1,1,,1,1,,,,,,,,,,,,,  
70,2,,172124-74200,, "SECTION ASSY, SPOOL",1,1,,1,1,,,,,,,,,,,,,  
71,3,,172122-74130,, POPPET,1,1,,1,1,,,,,,,,,,,,,  
72,3,,172113-74190,, SPRING,1,1,,1,1,,,,,,,,,,,,,  
73,3,,933171-80590,, O-RING,1,1,,1,1,,,,,,,,,,,,,  
74,3,,172112-06480,, PLUG,1,1,,1,1,,,,,,,,,,,,,  
75,3,,172112-06490,, O-RING,1,1,,1,1,,,,,,,,,,,,,  
76,3,,172116-74190,, "PLATE, SEAL",2,2,,2,2,,,,,,,,,,,,,  
77,3,,933171-80610,, O-RING,2,2,,2,2,,,,,,,,,,,,,  
78,3,,933166-80520,, WIPER,2,2,,2,2,,,,,,,,,,,,,  
79,3,,933166-80530,, CAP,1,1,,1,1,,,,,,,,,,,,,  
80,3,,933171-80510,, "SEAT, SPRING",1,1,,1,1,,,,,,,,,,,,,  
81,3,,172116-74380,, "SCREW, CAP",1,1,,1,1,,,,,,,,,,,,,  
82,3,,172122-74050,, SPRING,1,1,,1,1,,,,,,,,,,,,,  
83,3,,172116-74220,, SCREW,2,2,,2,2,,,,,,,,,,,,,  
84,3,,172116-74230,, "HEAD BOLT, SOCKET",2,2,,2,2,,,,,,,,,,,,,  
85,3,,172116-74390,, SPACER,1,1,,1,1,,,,,,,,,,,,,  
86,2,,172124-74040,, "SECTION ASSY, V",1,1,,1,1,,,,,,,,,,,,,  
87,3,,172116-74130,, "VALVE (200KG/CM2)",2,2,,2,2,,,,,,,,,,,,,  
87-1,3,,172124-75350,, "VALVE,  
RELIEF",2,2,,2,2,,S,,\*1986.02,,\*1986.02,,,,\*1986.02,,\*1986.02  
88,4,,172116-74150,, O-RING,2,2,,2,2,,,,,,,,,,,,,  
89,4,,172124-74380,, "CAP NUT",2,2,,2,2,,,,,,,,,,,,,  
90,3,,172124-74210,, "SECTION ASSY, SPOOL",1,1,,1,1,,,,,,,,,,,,,  
91,4,,172122-74130,, POPPET,1,1,,1,1,,,,,,,,,,,,,  
92,4,,172113-74190,, SPRING,1,1,,1,1,,,,,,,,,,,,,  
93,4,,933171-80590,, O-RING,1,1,,1,1,,,,,,,,,,,,,  
94,4,,172116-74190,, "PLATE, SEAL",2,2,,2,2,,,,,,,,,,,,,  
95,4,,933171-80610,, O-RING,2,2,,2,2,,,,,,,,,,,,,  
96,4,,933166-80520,, WIPER,2,2,,2,2,,,,,,,,,,,,,  
97,4,,933166-80530,, CAP,1,1,,1,1,,,,,,,,,,,,,  
98,4,,933171-80510,, "SEAT, SPRING",2,2,,2,2,,,,,,,,,,,,,  
99,4,,933166-80550,, "SCREW, CAP",1,1,,1,1,,,,,,,,,,,,,  
100,4,,933171-80540,, SPRING,1,1,,1,1,,,,,,,,,,,,,  
101,4,,172116-74220,, SCREW,2,2,,2,2,,,,,,,,,,,,,  
102,4,,172116-74230,, "HEAD BOLT, SOCKET",2,2,,2,2,,,,,,,,,,,,,  
103,2,,172124-74220,, "SECTION ASSY, SPOOL",1,1,,1,1,,,,,,,,,,,,,  
104,3,,933171-80590,, O-RING,1,1,,1,1,,,,,,,,,,,,,  
105,3,,172116-74190,, "PLATE, SEAL",2,2,,2,2,,,,,,,,,,,,,  
106,3,,933171-80610,, O-RING,2,2,,2,2,,,,,,,,,,,,,  
107,3,,933166-80520,, WIPER,2,2,,2,2,,,,,,,,,,,,,  
108,3,,933166-80530,, CAP,1,1,,1,1,,,,,,,,,,,,,  
109,3,,933171-80510,, "SEAT, SPRING",2,2,,2,2,,,,,,,,,,,,,  
110,3,,933166-80550,, "SCREW, CAP",1,1,,1,1,,,,,,,,,,,,,  
111,3,,172122-74050,, SPRING,1,1,,1,1,,,,,,,,,,,,,  
112,3,,172116-74220,, SCREW,2,2,,2,2,,,,,,,,,,,,,  
113,3,,172116-74230,, "HEAD BOLT, SOCKET",2,2,,2,2,,,,,,,,,,,,,

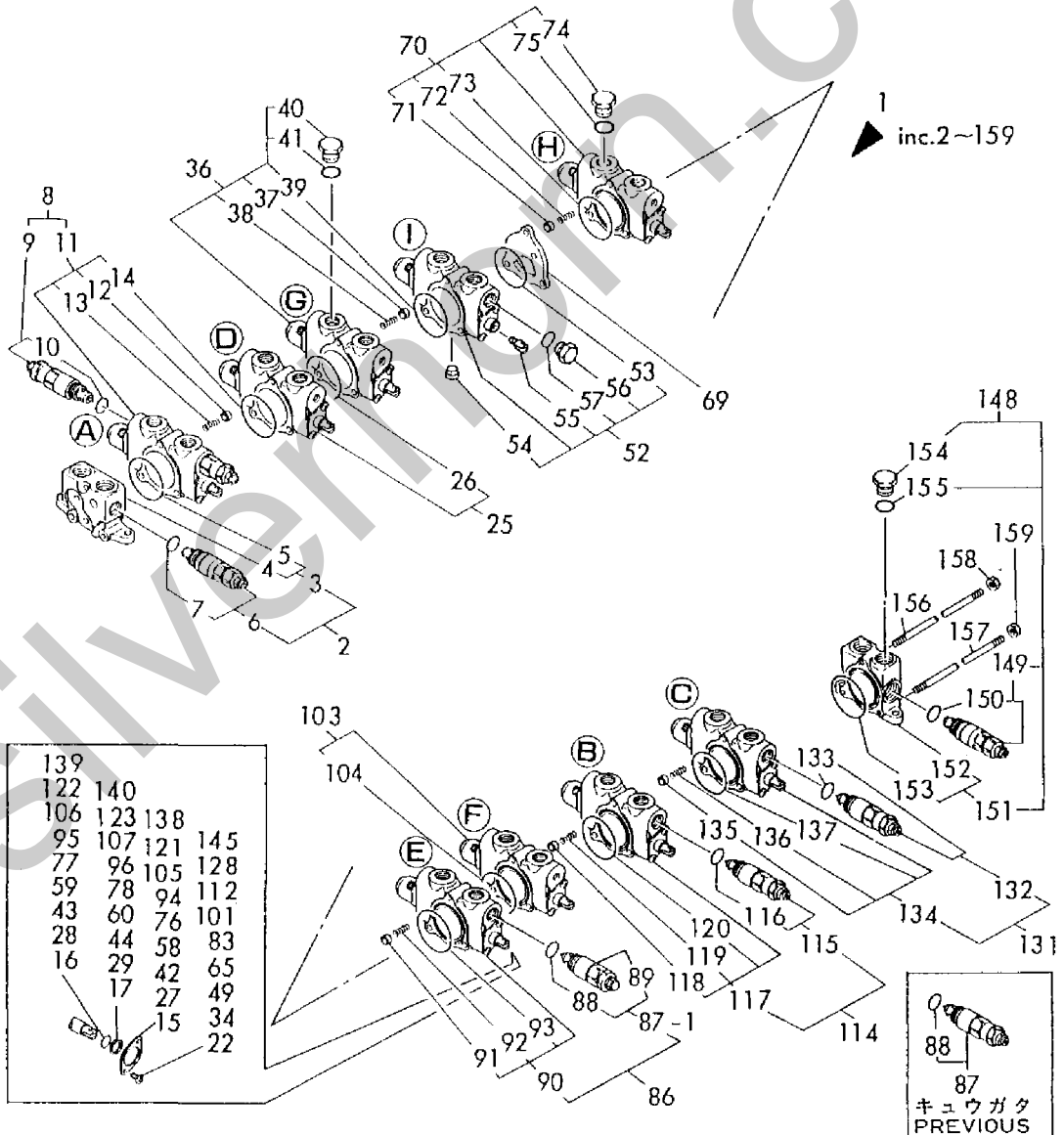
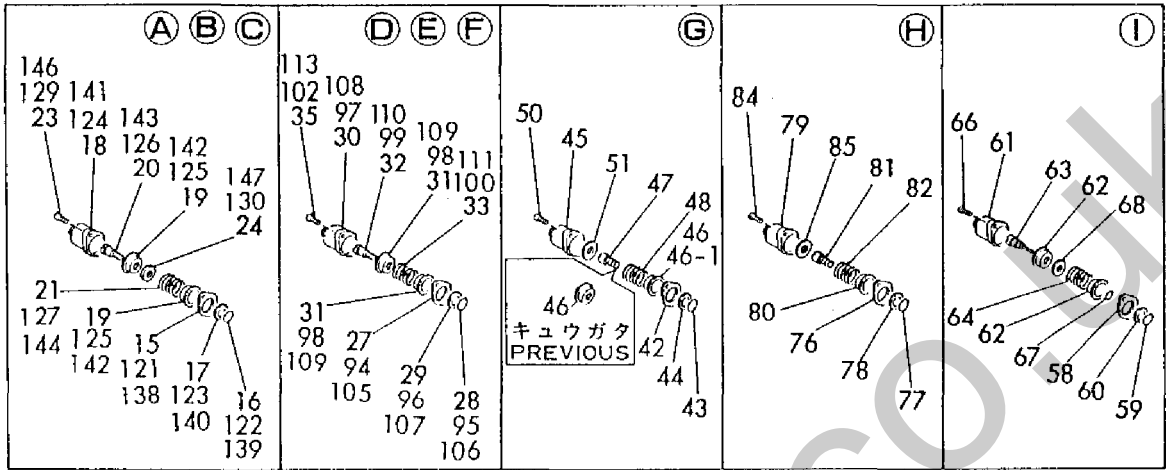


114,2,,172132-74110,, "SECTION ASSY, VALVE",1,1,,1,1,,,,,,,,,,,,,  
115,3,,172132-74120,, "VALVE(230/43),RELIEF",2,2,,2,2,,,,,,,,,,,,,  
116,4,,172116-74150,, O-RING,2,2,,2,2,,,,,,,,,,,,,  
117,3,,172124-74230,, "SECTION ASSY, SPOOL",1,1,,1,1,,,,,,,,,,,,,  
118,4,,172122-74130,, POPPET,1,1,,1,1,,,,,,,,,,,,,  
119,4,,172113-74190,, SPRING,1,1,,1,1,,,,,,,,,,,,,  
120,4,,933171-80590,, O-RING,1,1,,1,1,,,,,,,,,,,,,  
121,4,,172116-74190,, "PLATE, SEAL",2,2,,2,2,,,,,,,,,,,,,  
122,4,,933171-80610,, O-RING,2,2,,2,2,,,,,,,,,,,,,  
123,4,,933166-80520,, WIPER,2,2,,2,2,,,,,,,,,,,,,  
124,4,,933166-80530,, CAP,1,1,,1,1,,,,,,,,,,,,,  
125,4,,933171-80510,, "SEAT, SPRING",2,2,,2,2,,,,,,,,,,,,,  
126,4,,933166-80550,, "SCREW, CAP",1,1,,1,1,,,,,,,,,,,,,  
127,4,,933171-80540,, SPRING,1,1,,1,1,,,,,,,,,,,,,  
128,4,,172116-74220,, SCREW,2,2,,2,2,,,,,,,,,,,,,  
129,4,,172116-74230,, "HEAD BOLT, SOCKET",2,2,,2,2,,,,,,,,,,,,,  
130,4,,172124-74260,, WASHER,1,1,,1,1,,,,,,,,,,,,,  
131,2,,172124-74020,, "SECTION ASSY, V",1,1,,1,1,,,,,,,,,,,,,  
132,3,,172116-74130,, "VALVE (200KG/CM2)",1,1,,1,1,,,,,,,,,,,,,  
132-1,3,,172124-74360,, "VALVE,  
RELIEF",1,1,,1,1,,S,,,\*1986.02,,\*1986.02,,,,,\*1986.02,,\*1986.02  
133,4,,172116-74150,, O-RING,1,1,,1,1,,,,,,,,,,,,,  
134,3,,172124-74240,, "SPOOL SECTION ASSY",1,1,,1,1,,,,,,,,,,,,,  
135,4,,172122-74130,, POPPET,1,1,,1,1,,,,,,,,,,,,,  
136,4,,172113-74190,, SPRING,1,1,,1,1,,,,,,,,,,,,,  
137,4,,933171-80590,, O-RING,1,1,,1,1,,,,,,,,,,,,,  
138,4,,172116-74190,, "PLATE, SEAL",2,2,,2,2,,,,,,,,,,,,,  
139,4,,933171-80610,, O-RING,2,2,,2,2,,,,,,,,,,,,,  
140,4,,933166-80520,, WIPER,2,2,,2,2,,,,,,,,,,,,,  
141,4,,933166-80530,, CAP,1,1,,1,1,,,,,,,,,,,,,  
142,4,,933171-80510,, "SEAT, SPRING",2,2,,2,2,,,,,,,,,,,,,  
143,4,,933166-80550,, "SCREW, CAP",1,1,,1,1,,,,,,,,,,,,,  
144,4,,933171-80540,, SPRING,1,1,,1,1,,,,,,,,,,,,,  
145,4,,172116-74220,, SCREW,2,2,,2,2,,,,,,,,,,,,,  
146,4,,172116-74230,, "HEAD BOLT, SOCKET",2,2,,2,2,,,,,,,,,,,,,  
147,4,,172124-74260,, WASHER,1,1,,1,1,,,,,,,,,,,,,  
148,2,,172124-74010,, "SECTION ASSY, V",1,1,,1,1,,,,,,,,,,,,,  
149,3,,172124-74160,, "VALVE ASSY, RELIEF",1,1,,1,1,,,,,,,,,,,,,  
150,4,,172116-74150,, O-RING,1,1,,1,1,,,,,,,,,,,,,  
151,3,,172116-74170,, "SECTION, INLET",1,1,,1,1,,,,,,,,,,,,,  
151-1,3,,172122-74530,, "SECTION,  
INLET",1,1,,1,1,,S,,,\*1986.02,,\*1986.02,,,,,\*1986.02,,\*1986.02  
152,4,,172122-74580,, "HOUSING, INLET",1,1,,1,1,,,,,,,,,,,,,  
153,4,,933171-80590,, O-RING,1,1,,1,1,,,,,,,,,,,,,  
154,3,,172116-74320,, PLUG,1,1,,1,1,,,,,,,,,,,,,  
155,3,,172116-74150,, O-RING,1,1,,1,1,,,,,,,,,,,,,  
156,2,,172124-74120,, TIE-ROD,1,1,,1,1,,,,,,,,,,,,,  
157,2,,172124-74130,, TIE-ROD,2,2,,2,2,,,,,,,,,,,,,  
158,2,,26716-100002,, "NUT M10",2,2,,2,2,,,,,,,,,,,,,  
159,2,,26716-080002,, "NUT M 8",4,4,,4,4,,,,,,,,,,,,,

Fig. 62 コントロールバルブ(メイン)(U,UZ)  
CONTROL VALVE (MAIN)(U,UZ)

SPEC. CODE  
D72132-74100

COUNTRY	J	P	N	W	S	W	G	F	A	D	M	N	L
Fig.No.	62	-	-	-	-	-	-	-	-	-	-	-	-



1,1,,933120-92100,, "CYLINDER ASSY,BOOM",1,1,,1,1,,1,,,,,,,,,  
1-1,1,,933120-92101,, "CYLINDER ASSY,  
BOOM",1,1,,1,1,,R,2,,M20544,,M20544,,,,M20507,,M20507  
2,2,,933138-40100,, "SEAL SET, HEAD",1,1,,1,1,,,,,,,,,  
8,3,,22417-500500,, "COTTER PIN 5.0X50",1,1,,1,1,,,,,,,,,  
8-1,3,,22417-600700,, "COTTER PIN  
6.0X70",1,1,,1,1,,N,,,,\*XXXXXX,,\*XXXXXX,,,,\*XXXXXX,,\*XXXXXX  
8-2,3,,22417-600700,, "COTTER PIN  
6.0X70",1,1,,1,1,,Z,,,,\*1990.07,,\*1990.07,,,,\*1990.07,,\*1990.07  
9,2,,933138-78000,, "SEAL SET, PISTON",1,1,,1,1,,,,,,,,,  
13,3,,22417-500500,, "COTTER PIN 5.0X50",1,1,,1,1,,,,,,,,,  
13-1,3,,22417-600700,, "COTTER PIN  
6.0X70",1,1,,1,1,,N,,,,\*XXXXXX,,\*XXXXXX,,,,\*XXXXXX,,\*XXXXXX  
13-2,3,,22417-600700,, "COTTER PIN  
6.0X70",1,1,,1,1,,Z,,,,\*1990.07,,\*1990.07,,,,\*1990.07,,\*1990.07  
14,2,,24761-020000,, "NIPPLE PT1/8,GREASE",2,2,,2,2,,,,,,,,,  
15,2,,933721-92100,, "TUBE ASSY, BOOM",1,1,,1,1,,,,,,,,,  
17,3,,933125-37600,, "BUSH 50 70, PIN",1,1,,1,1,,,,,,,,,  
18,2,,933722-67500,, "ROD ASSY, BOOM",1,1,,1,1,,,,,,,,,  
20,3,,933125-37600,, "BUSH 50 70, PIN",1,1,,1,1,,,,,,,,,  
21,2,,933124-06000,, "PISTON (100)",1,1,,1,1,,,,,,,,,  
22,2,,933124-95000,, "GLAND 100 6, GASKET",1,1,,1,1,,,,,,,,,  
23,2,,933124-95100,, "GLAND 100 12,GASKET",1,1,,1,1,,,,,,,,,  
23-1,2,,172124-72430,, "GLAND 100  
12,GASKET",1,1,,1,1,,S,2,,M20529,,M20529,,,,M20506,,M20506  
24,2,,933125-78000,, "WASHER (100)",1,1,,1,1,,,,,,,,,  
25,2,,933126-00500,, "RING 72, SPRING",1,1,,1,1,,,,,,,,,  
26,2,,933126-25200,, "CASTLE NUT M39",1,1,,1,1,,,,,,,,,  
26-1,2,,172151-72270,, "U-NUT  
M39",1,1,,1,1,,S,,,,\*1990.07,,\*1990.07,,,,\*1990.07,,\*1990.07  
27,2,,933127-32000,, "PLUNGER 62, CUSHION",1,1,,1,1,,,,,,,,,  
27-1,2,,933127-32001,, "PLUNGER 62,  
CUSHION",1,1,,1,1,,S,2,,M20544,,M20544,,,,M20507,,M20507  
28,2,,933134-20200,, "HEAD 100 55",1,1,,1,1,,,,,,,,,  
28-1,2,,933134-20201,, "HEAD 100  
55",1,1,,1,1,,S,2,,M20544,,M20544,,,,M20507,,M20507  
30,3,,933135-20500,, "BUSH 55 40, ROD",1,1,,1,1,,,,,,,,,  
31,2,,172132-72700,, "RING 62,  
CUSHION",1,1,,1,1,,W,2,,M20544,,M20544,,,,M20507,,M20507  
32,2,,22252-000800,, "CIRCLIP  
80",1,1,,1,1,,W,2,,M20544,,M20544,,,,M20507,,M20507  
33,1,,933120-92102,, "CYLINDER ASSY,  
BOOM",1,1,,1,1,,W,3,,\*1991.05,,\*1991.05,,,,\*1991.05,,\*1991.05  
34,2,,172151-71810,, "SEAL SET,  
HEAD",1,1,,1,1,,W,,,,\*1991.05,,\*1991.05,,,,\*1991.05,,\*1991.05  
41,2,,933138-78000,, "SEAL SET,  
PISTON",1,1,,1,1,,W,,,,\*1991.05,,\*1991.05,,,,\*1991.05,,\*1991.05  
45,2,,24761-020000,, "NIPPLE  
PT1/8,GREASE",2,2,,2,2,,W,,,,\*1991.05,,\*1991.05,,,,\*1991.05,,\*1991.05  
46,2,,933721-92101,, "TUBE W/BUSH,  
BOOM",1,1,,1,1,,W,,,,\*1991.05,,\*1991.05,,,,\*1991.05,,\*1991.05  
48,3,,933125-37600,, "BUSH 50 70,  
PIN",1,1,,1,1,,W,,,,\*1991.05,,\*1991.05,,,,\*1991.05,,\*1991.05  
49,2,,933722-67500,, "ROD ASSY,  
BOOM",1,1,,1,1,,W,,,,\*1991.05,,\*1991.05,,,,\*1991.05,,\*1991.05  
51,3,,933125-37600,, "BUSH 50 70,  
PIN",1,1,,1,1,,W,,,,\*1991.05,,\*1991.05,,,,\*1991.05,,\*1991.05  
52,2,,933124-06000,, "PISTON  
(100)",1,1,,1,1,,W,,,,\*1991.05,,\*1991.05,,,,\*1991.05,,\*1991.05  
53,2,,933124-95000,, "GLAND 100 6,  
GASKET",1,1,,1,1,,W,,,,\*1991.05,,\*1991.05,,,,\*1991.05,,\*1991.05  
54,2,,172124-72430,, "GLAND 100  
12,GASKET",1,1,,1,1,,W,,,,\*1991.05,,\*1991.05,,,,\*1991.05,,\*1991.05

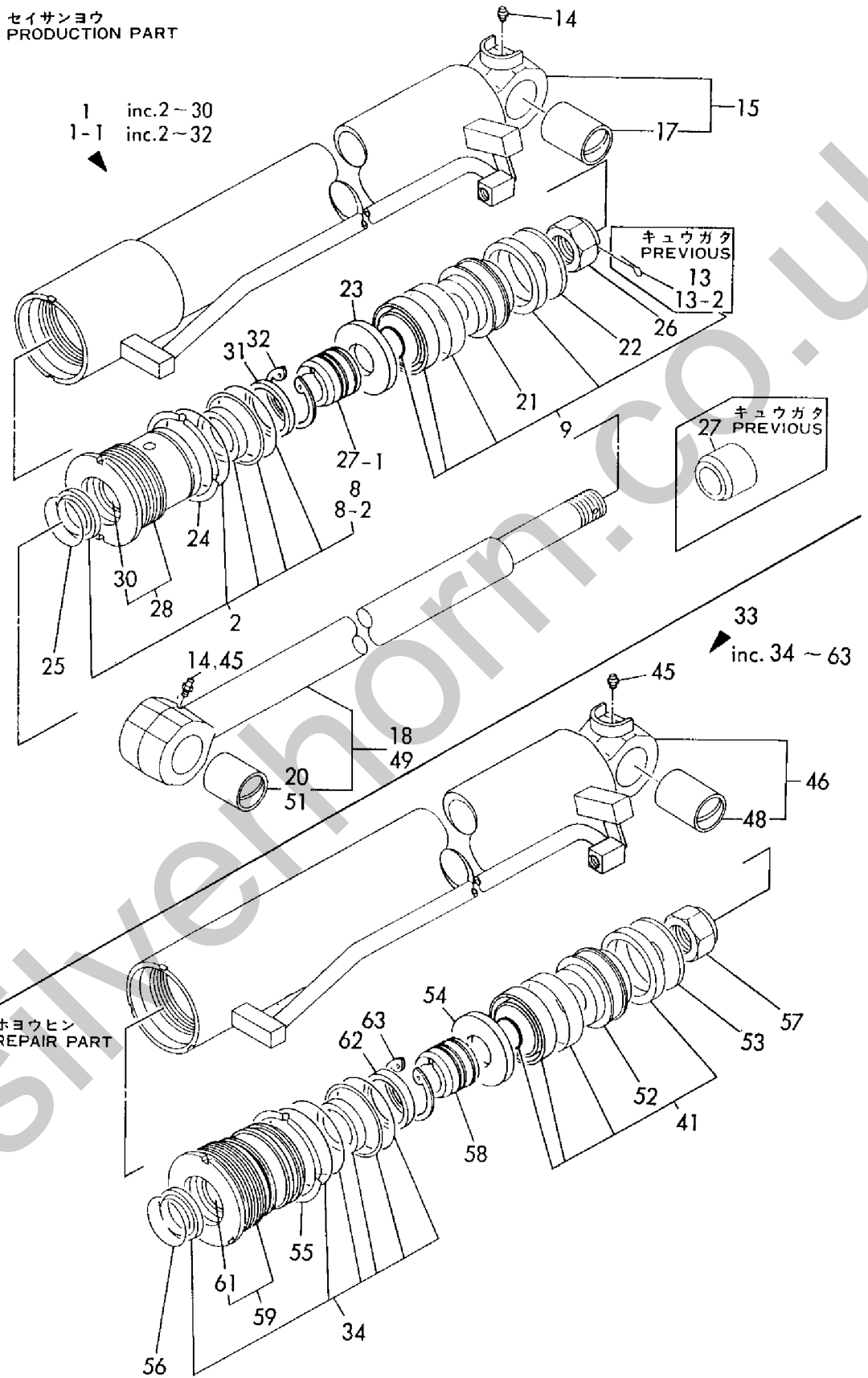
55,2,,172151-72290,, "LOCK  
WASHER",1,1,,1,1,,W,,, \*1991.05,, \*1991.05,,,, \*1991.05,, \*1991.05  
56,2,,933126-00500,, "RING 72,  
SPRING",1,1,,1,1,,W,,, \*1991.05,, \*1991.05,,,, \*1991.05,, \*1991.05  
57,2,,172151-72270,, "U-NUT  
M39",1,1,,1,1,,W,,, \*1991.05,, \*1991.05,,,, \*1991.05,, \*1991.05  
58,2,,933127-32001,, "PLUNGER 62,  
CUSHION",1,1,,1,1,,W,,, \*1991.05,, \*1991.05,,,, \*1991.05,, \*1991.05  
59,2,,172151-72220,, "HEAD 100  
55",1,1,,1,1,,W,,, \*1991.05,, \*1991.05,,,, \*1991.05,, \*1991.05  
61,3,,172151-72240,, "BUSH 55 35,  
ROD",1,1,,1,1,,W,,, \*1991.05,, \*1991.05,,,, \*1991.05,, \*1991.05  
62,2,,172151-72330,, "CUSHION RING  
62",1,1,,1,1,,W,,, \*1991.05,, \*1991.05,,,, \*1991.05,, \*1991.05  
63,2,,22252-000800,, "CIRCLIP  
80",1,1,,1,1,,W,,, \*1991.05,, \*1991.05,,,, \*1991.05,, \*1991.05

Silverhorn.CO.UK

Fig. **63** ブームシリンダ  
BOOM CYLINDER

SPEC. CODE  
D72124-72100

セイサンヨウ  
PRODUCTION PART



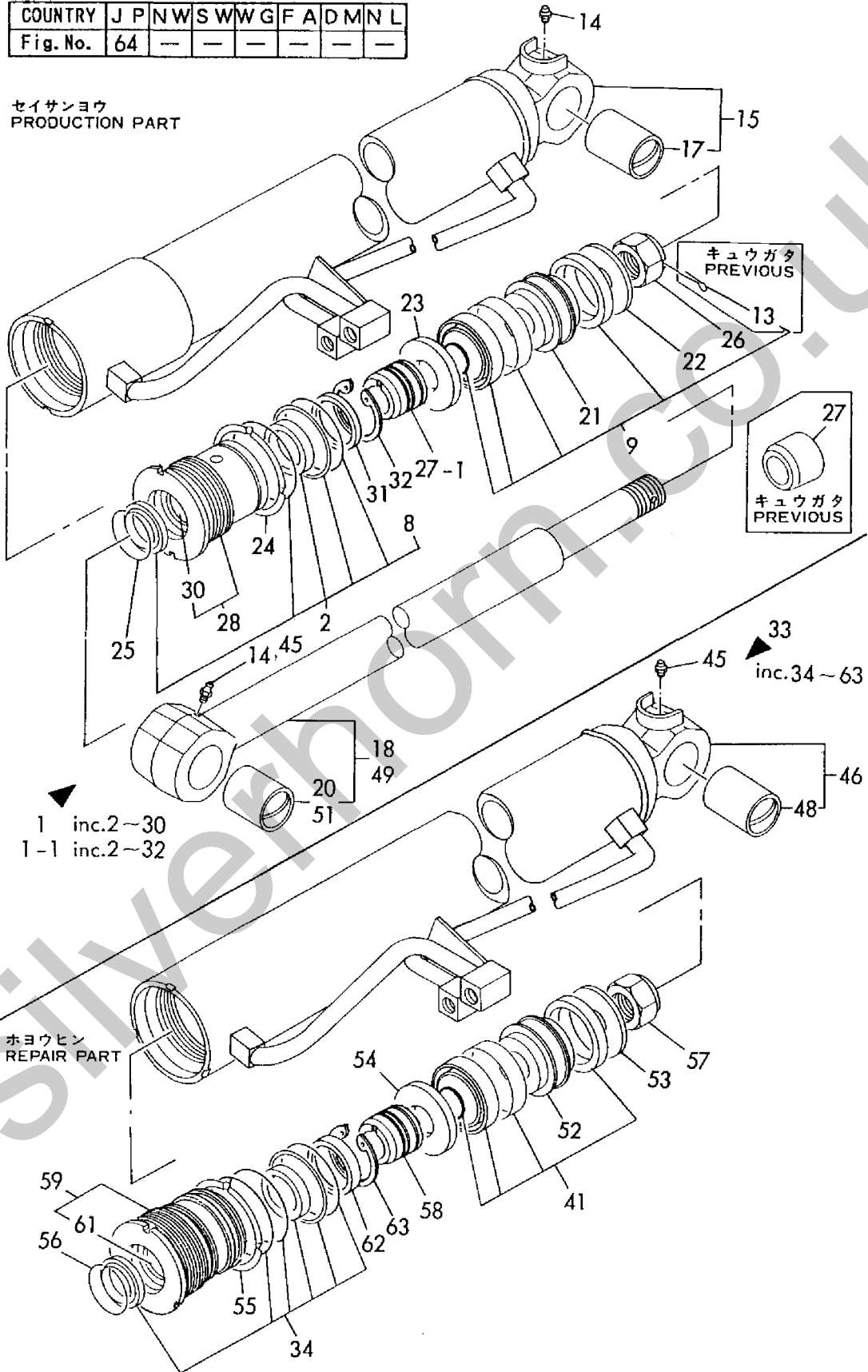
1,1,,933120-92200,, "CYLINDER ASSY,BOOM",,1,,1,,1,,,,,,,,,  
 1-1,1,,933120-92201,, "CYLINDER ASSY, BOOM",,1,,1,,R,1,,,,,M/#20544,,,,,M/#20507  
 2,2,,933138-40100,, "SEAL SET, HEAD",,1,,1,,,,,,,,,  
 8,3,,22417-600700,, "COTTER PIN 6.0X70",,1,,1,,Z,,,,,\*1990.07,,,,,\*1990.07  
 9,2,,933138-78000,, "SEAL SET, PISTON",,1,,1,,,,,,,,,  
 13,3,,22417-600700,, "COTTER PIN 6.0X70",,1,,1,,Z,,,,,\*1990.07,,,,,\*1990.07  
 14,2,,24761-020000,, "NIPPLE PT1/8,GREASE",,2,,2,,,,,,,,,  
 15,2,,933721-92200,, "TUBE ASSY, BOOM",,1,,1,,,,,,,,,  
 17,3,,933125-37600,, "BUSH 50 70, PIN",,1,,1,,,,,,,,,  
 18,2,,933722-68200,, "ROD ASSY, BOOM",,1,,1,,,,,,,,,  
 20,3,,933125-37600,, "BUSH 50 70, PIN",,1,,1,,,,,,,,,  
 21,2,,933124-06000,, "PISTON (100)",,1,,1,,,,,,,,,  
 22,2,,933124-95000,, "GLAND 100 6, GASKET",,1,,1,,,,,,,,,  
 23,2,,933124-95100,, "GLAND 100 12,GASKET",,1,,1,,,,,,,,,  
 23-1,2,,172124-72430,, "GLAND 100 12,GASKET",,1,,1,,S,,,,M20529,,,,,M20506  
 24,2,,933125-78000,, "WASHER (100)",,1,,1,,,,,,,,,  
 25,2,,933126-00500,, "RING 72, SPRING",,1,,1,,,,,,,,,  
 26,2,,933126-25200,, "CASTLE NUT M39",,1,,1,,,,,,,,,  
 26-1,2,,172151-72270,, "U-NUT M39",,1,,1,,S,,,,\*1990.07,,,,,\*1990.07  
 27,2,,933127-32000,, "PLUNGER 62, CUSHION",,1,,1,,,,,,,,,  
 27-1,2,,933127-32001,, "PLUNGER 62, CUSHION",,1,,1,,S,,,,M20544,,,,,M20507  
 28,2,,933134-20200,, "HEAD 100 55",,1,,1,,,,,,,,,  
 28-1,2,,933134-20201,, "HEAD 100 55",,1,,1,,S,,,,M20544,,,,,M20507  
 30,3,,933135-20500,, "BUSH 55 40, ROD",,1,,1,,,,,,,,,  
 31,2,,172132-72700,, "RING 62, CUSHION",,1,,1,,W,,,,M20544,,,,,M20507  
 32,2,,22252-000800,, "CIRCLIP 80",,1,,1,,W,,,,M20544,,,,,M20507  
 33,1,,933120-92202,, "CYLINDER ASSY, BOOM",,1,,1,,W,2,,,,\*1991.05,,,,,\*1991.05  
 34,2,,172151-71810,, "SEAL SET, HEAD",,1,,1,,W,,,,\*1991.05,,,,,\*1991.05  
 41,2,,933138-78000,, "SEAL SET, PISTON",,1,,1,,W,,,,\*1991.05,,,,,\*1991.05  
 45,2,,24761-020000,, "NIPPLE PT1/8,GREASE",,2,,2,,W,,,,\*1991.05,,,,,\*1991.05  
 46,2,,933721-92201,, "TUBE W/BUSH, BOOM",,1,,1,,W,,,,\*1991.05,,,,,\*1991.05  
 48,3,,933125-37600,, "BUSH 50 70, PIN",,1,,1,,W,,,,\*1991.05,,,,,\*1991.05  
 49,2,,933722-68200,, "ROD ASSY, BOOM",,1,,1,,W,,,,\*1991.05,,,,,\*1991.05  
 51,3,,933125-37600,, "BUSH 50 70, PIN",,1,,1,,W,,,,\*1991.05,,,,,\*1991.05  
 52,2,,933124-06000,, "PISTON (100)",,1,,1,,W,,,,\*1991.05,,,,,\*1991.05  
 53,2,,933124-95000,, "GLAND 100 6, GASKET",,1,,1,,W,,,,\*1991.05,,,,,\*1991.05  
 54,2,,172124-72430,, "GLAND 100 12,GASKET",,1,,1,,W,,,,\*1991.05,,,,,\*1991.05  
 55,2,,172151-72290,, "LOCK WASHER",,1,,1,,W,,,,\*1991.05,,,,,\*1991.05  
 56,2,,933126-00500,, "RING 72, SPRING",,1,,1,,W,,,,\*1991.05,,,,,\*1991.05  
 57,2,,172151-72270,, "U-NUT M39",,1,,1,,W,,,,\*1991.05,,,,,\*1991.05  
 58,2,,933127-32001,, "PLUNGER 62, CUSHION",,1,,1,,W,,,,\*1991.05,,,,,\*1991.05  
 59,2,,172151-72220,, "HEAD 100 55",,1,,1,,W,,,,\*1991.05,,,,,\*1991.05  
 61,3,,172151-72240,, "BUSH 55 35, ROD",,1,,1,,W,,,,\*1991.05,,,,,\*1991.05  
 62,2,,172151-72330,, "CUSHION RING 62",,1,,1,,W,,,,\*1991.05,,,,,\*1991.05  
 63,2,,22252-000800,, "CIRCLIP 80",,1,,1,,W,,,,\*1991.05,,,,,\*1991.05

Fig. **64** ブームシリンダ(U)(コクナイ)  
 BOOM CYLINDER (U) (JAPAN SPEC.)

SPEC. CODE  
 D72132-72110

COUNTRY	J	P	N	W	S	W	G	F	A	D	M	N	L
Fig. No.	64	—	—	—	—	—	—	—	—	—	—	—	—

セイサンヨウ  
 PRODUCTION PART



1,1,,933120-92300,, "CYLINDER ASSY,BOOM",1,,1,,1,,,,,,,,,  
1-1,1,,933120-92301,, "CYLINDER ASSY, BOOM",1,,1,,R,1,,M20544,,,,,M20507,,  
2,2,,933138-40100,, "SEAL SET, HEAD",1,,1,,,,,,,,,  
8,3,,22417-600700,, "COTTER PIN 6.0X70",1,,1,,Z,,,\*1990.07,,,,,\*1990.07,,  
9,2,,933138-78000,, "SEAL SET, PISTON",1,,1,,,,,,,,,  
13,3,,22417-600700,, "COTTER PIN 6.0X70",1,,1,,Z,,,\*1990.07,,,,,\*1990.07,,  
14,2,,24761-020000,, "NIPPLE PT1/8,GREASE",2,,2,,,,,,,,,  
15,2,,933721-92300,, "TUBE ASSY, BOOM",1,,1,,,,,,,,,  
17,3,,933125-37600,, "BUSH 50 70, PIN",1,,1,,,,,,,,,  
18,2,,933722-68300,, "ROD ASSY, BOOM",1,,1,,,,,,,,,  
20,3,,933125-37600,, "BUSH 50 70, PIN",1,,1,,,,,,,,,  
21,2,,933124-06000,, "PISTON (100)",1,,1,,,,,,,,,  
22,2,,933124-95000,, "GLAND 100 6, GASKET",1,,1,,,,,,,,,  
23,2,,933124-95100,, "GLAND 100 12,GASKET",1,,1,,,,,,,,,  
23-1,2,,172124-72430,, "GLAND 100 12,GASKET",1,,1,,S,,M20529,,,,,M20506,,  
24,2,,933125-78000,, "WASHER (100)",1,,1,,,,,,,,,  
25,2,,933126-00500,, "RING 72, SPRING",1,,1,,,,,,,,,  
26,2,,933126-25200,, "CASTLE NUT M39",1,,1,,,,,,,,,  
26-1,2,,172151-72270,, "U-NUT M39",1,,1,,S,,\*1990.07,,,,,\*1990.07,,  
27,2,,933127-32000,, "PLUNGER 62, CUSHION",1,,1,,,,,,,,,  
27-1,2,,933127-32001,, "PLUNGER 62, CUSHION",1,,1,,S,,M20544,,,,,M20507,,  
28,2,,933134-20200,, "HEAD 100 55",1,,1,,,,,,,,,  
28-1,2,,933134-20201,, "HEAD 100 55",1,,1,,S,,M20544,,,,,M20507,,  
30,3,,933135-20500,, "BUSH 55 40, ROD",1,,1,,,,,,,,,  
31,2,,172132-72700,, "RING 62, CUSHION",1,,1,,W,,M20544,,,,,M20507,,  
32,2,,22252-000800,, "CIRCLIP 80",1,,1,,W,,M20544,,,,,M20507,,  
33,1,,172132-72560,, "COVER, SLIDE",1,,1,,,,,,,,,  
34,1,,172132-72590,, "COVER",1,,1,,,,,,,,,  
35,1,,22157-100000,, "WASHER 10",1,,1,,,,,,,,,  
36,1,,26013-100202,, "BOLT W/WASHER M10X20",5,,5,,,,,,,,,  
37,1,,933120-92302,, "CYLINDER ASSY, BOOM",1,,1,,W,2,\*1991.05,,,,,\*1991.05,,  
38,2,,172151-71810,, "SEAL SET, HEAD",1,,1,,W,\*1991.05,,,,,\*1991.05,,  
45,2,,933138-78000,, "SEAL SET, PISTON",1,,1,,W,\*1991.05,,,,,\*1991.05,,  
49,2,,24761-020000,, "NIPPLE PT1/8,GREASE",2,,2,,W,\*1991.05,,,,,\*1991.05,,  
50,2,,933721-92301,, "TUBE W/BUSH, BOOM",1,,1,,W,\*1991.05,,,,,\*1991.05,,  
52,3,,933125-37600,, "BUSH 50 70, PIN",1,,1,,W,\*1991.05,,,,,\*1991.05,,  
53,2,,933722-68300,, "ROD ASSY, BOOM",1,,1,,W,\*1991.05,,,,,\*1991.05,,  
55,3,,933125-37600,, "BUSH 50 70, PIN",1,,1,,W,\*1991.05,,,,,\*1991.05,,  
56,2,,933124-06000,, "PISTON (100)",1,,1,,W,\*1991.05,,,,,\*1991.05,,  
57,2,,933124-95000,, "GLAND 100 6, GASKET",1,,1,,W,\*1991.05,,,,,\*1991.05,,  
58,2,,172124-72430,, "GLAND 100 12,GASKET",1,,1,,W,\*1991.05,,,,,\*1991.05,,  
59,2,,172151-72290,, "LOCK WASHER",1,,1,,W,\*1991.05,,,,,\*1991.05,,  
60,2,,933126-00500,, "RING 72, SPRING",1,,1,,W,\*1991.05,,,,,\*1991.05,,  
61,2,,172151-72270,, "U-NUT M39",1,,1,,W,\*1991.05,,,,,\*1991.05,,  
62,2,,933127-32001,, "PLUNGER 62, CUSHION",1,,1,,W,\*1991.05,,,,,\*1991.05,,  
63,2,,172151-72220,, "HEAD 100 55",1,,1,,W,\*1991.05,,,,,\*1991.05,,  
65,3,,172151-72240,, "BUSH 55 35, ROD",1,,1,,W,\*1991.05,,,,,\*1991.05,,  
66,2,,172151-72330,, "CUSHION RING 62",1,,1,,W,\*1991.05,,,,,\*1991.05,,  
67,2,,22252-000800,, "CIRCLIP 80",1,,1,,W,\*1991.05,,,,,\*1991.05,,  
68,1,,172132-72560,, "COVER, SLIDE",1,,1,,W,\*1991.05,,,,,\*1991.05,,  
69,1,,172132-72590,, "COVER",1,,1,,W,\*1991.05,,,,,\*1991.05,,  
70,1,,22157-100000,, "WASHER 10",1,,1,,W,\*1991.05,,,,,\*1991.05,,  
71,1,,26013-100202,, "BOLT W/WASHER M10X20",5,,5,,W,\*1991.05,,,,,\*1991.05,,

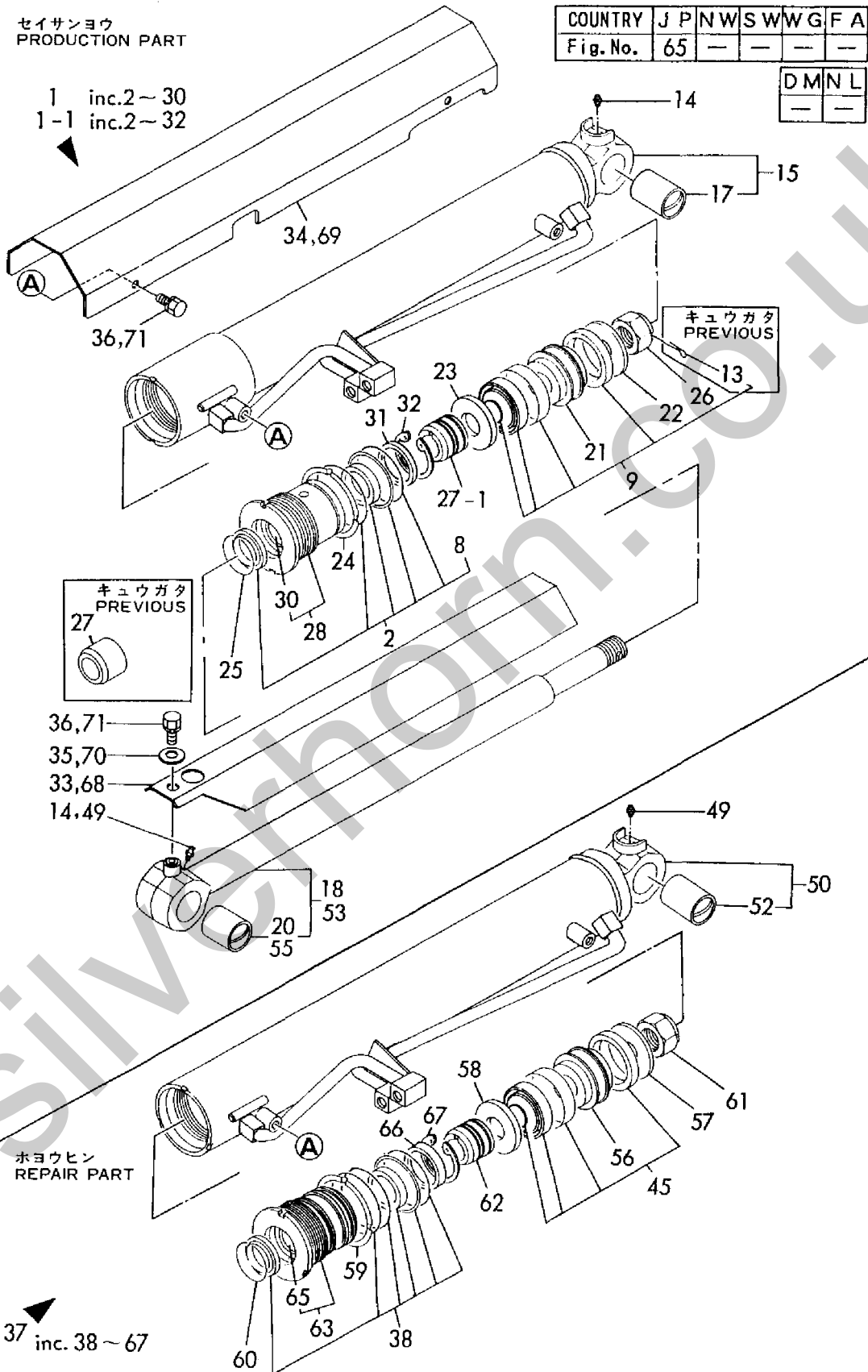


Fig. **65** ブームシリンダ(UZ)(コクナイ)  
 BOOM CYLINDER (UZ) (JAPAN SPEC.) SPEC. CODE  
 D72132-72110

セイサンヨウ  
 PRODUCTION PART

COUNTRY	J	P	N	W	S	W	G	F	A
Fig.No.	65	—	—	—	—	—	—	—	—

	D	M	N	L
	—	—	—	—

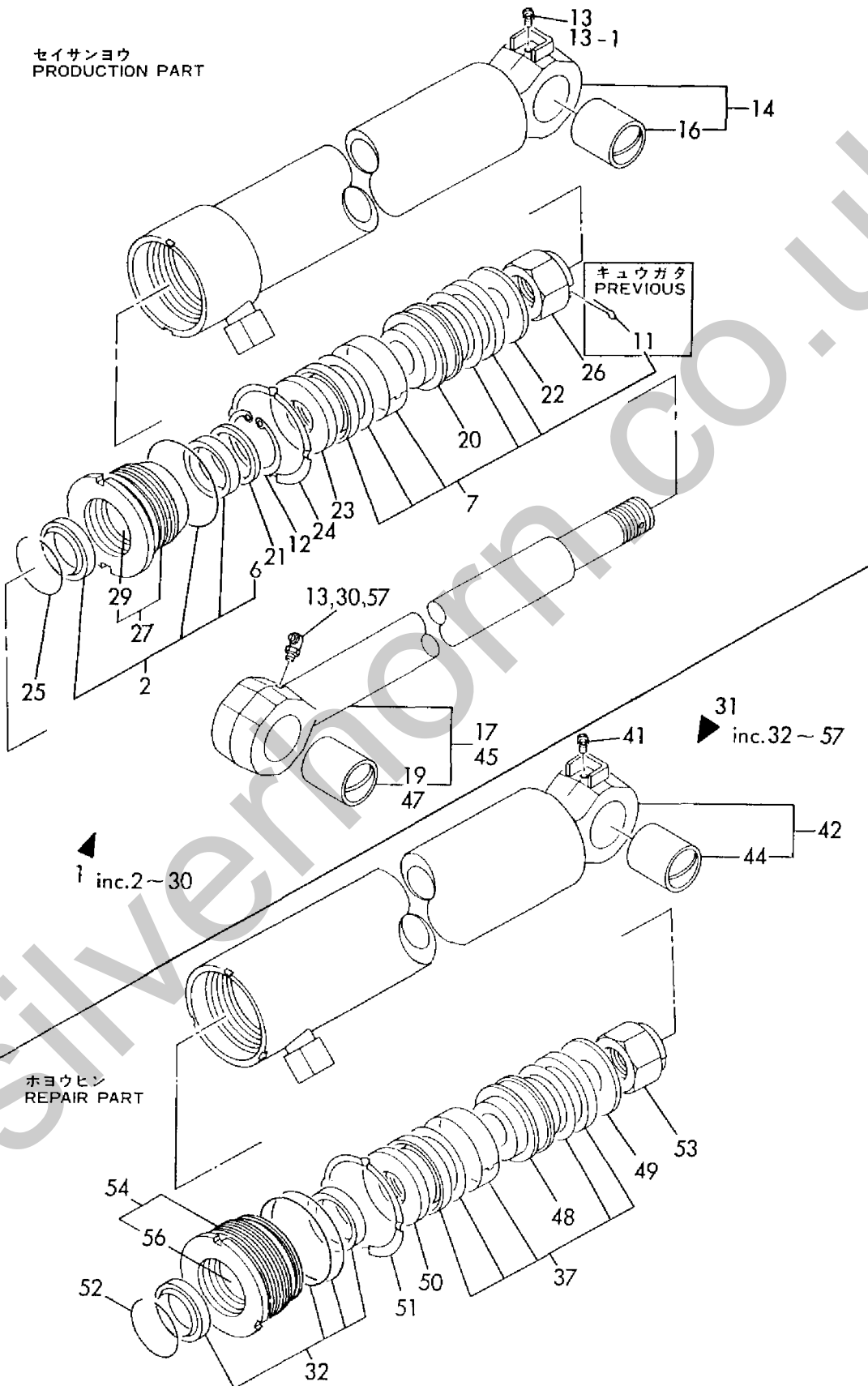


1,1,,933120-82500,, "CYLINDER ASSY,ARM",1,1,,1,1,,,1,,,,,,,,,  
2,2,,933138-40200,, "SEAL SET, HEAD",1,1,,1,1,,,,,,,,,  
6,3,,22417-500500,, "COTTER PIN  
5.0X50",1,1,,1,1,,Z,,, \*1990.07,, \*1990.07,,,, \*1990.07,, \*1990.07  
7,2,,933138-75300,, "SEAL SET, PISTON",1,1,,1,1,,,,,,,,,  
11,3,,22417-500500,, "COTTER PIN  
5.0X50",1,1,,1,1,,Z,,, \*1990.07,, \*1990.07,,,, \*1990.07,, \*1990.07  
12,2,,22252-000700,, "CIRCLIP 70",1,1,,1,1,,,,,,,,,  
13,2,,24761-050000,, "NIPPLE C,GREASE",2,2,,2,2,,,,,,,,,  
13-1,2,,24761-050000,, "NIPPLE  
C,GREASE",1,1,,1,1,,K,2,,M20501,,M20501,,,,M20501,,M20501  
14,2,,933721-82500,, "TUBE ASSY, ARM",1,1,,1,1,,,,,,,,,  
16,3,,933125-37500,, "BUSH 50 60 B, PIN",1,1,,1,1,,,,,,,,,  
17,2,,933722-67600,, "ROD ASSY, ARM",1,1,,1,1,,,,,,,,,  
19,3,,933125-37500,, "BUSH 50 60 B, PIN",1,1,,1,1,,,,,,,,,  
20,2,,933124-01101,, "PISTON 90",1,1,,1,1,,,,,,,,,  
21,2,,933124-30500,, "GLAND 71 55, GASKET",1,1,,1,1,,,,,,,,,  
22,2,,933124-89200,, "GLAND 90 6, GASKET",1,1,,1,1,,,,,,,,,  
23,2,,933124-89300,, "GLAND 90 12, GASKET",1,1,,1,1,,,,,,,,,  
24,2,,933125-75100,, "WASHER 90",1,1,,1,1,,,,,,,,,  
25,2,,933126-00500,, "RING 72, SPRING",1,1,,1,1,,,,,,,,,  
26,2,,933126-25200,, "CASTLE NUT M39",1,1,,1,1,,,,,,,,,  
26-1,2,,172151-72270,, "U-NUT  
M39",1,1,,1,1,,S,,, \*1990.07,, \*1990.07,,,, \*1990.07,, \*1990.07  
27,2,,933134-20001,, "HEAD 90 55",1,1,,1,1,,,,,,,,,  
29,3,,933135-20500,, "BUSH 55 40, ROD",1,1,,1,1,,,,,,,,,  
30,2,,24761-040000,, "NIPPLE  
B,GREASE",1,1,,1,1,,W,2,,M20501,,M20501,,,,M20501,,M20501  
31,1,,933120-82501,, "CYLINDER ASSY,  
ARM",1,1,,1,1,,W,3,, \*1991.05,, \*1991.05,,,, \*1991.05,, \*1991.05  
32,2,,933138-40201,, "SEAL SET  
90X50,HEAD",1,1,,1,1,,W,,, \*1991.05,, \*1991.05,,,, \*1991.05,, \*1991.05  
37,2,,933138-75300,, "SEAL SET,  
PISTON",1,1,,1,1,,W,,, \*1991.05,, \*1991.05,,,, \*1991.05,, \*1991.05  
41,2,,24761-050000,, "NIPPLE  
C,GREASE",1,1,,1,1,,W,,, \*1991.05,, \*1991.05,,,, \*1991.05,, \*1991.05  
42,2,,933721-82501,, "TUBE W/BUSH,  
ARM",1,1,,1,1,,W,,, \*1991.05,, \*1991.05,,,, \*1991.05,, \*1991.05  
44,3,,933125-37500,, "BUSH 50 60 B,  
PIN",1,1,,1,1,,W,,, \*1991.05,, \*1991.05,,,, \*1991.05,, \*1991.05  
45,2,,933722-67600,, "ROD ASSY,  
ARM",1,1,,1,1,,W,,, \*1991.05,, \*1991.05,,,, \*1991.05,, \*1991.05  
47,3,,933125-37500,, "BUSH 50 60 B,  
PIN",1,1,,1,1,,W,,, \*1991.05,, \*1991.05,,,, \*1991.05,, \*1991.05  
48,2,,933124-01101,, "PISTON  
90",1,1,,1,1,,W,,, \*1991.05,, \*1991.05,,,, \*1991.05,, \*1991.05  
49,2,,933124-89200,, "GLAND 90 6,  
GASKET",1,1,,1,1,,W,,, \*1991.05,, \*1991.05,,,, \*1991.05,, \*1991.05  
50,2,,933124-89300,, "GLAND 90 12,  
GASKET",1,1,,1,1,,W,,, \*1991.05,, \*1991.05,,,, \*1991.05,, \*1991.05  
51,2,,172151-72870,, "LOCK WASHER  
90",1,1,,1,1,,W,,, \*1991.05,, \*1991.05,,,, \*1991.05,, \*1991.05  
52,2,,933126-00500,, "RING 72,  
SPRING",1,1,,1,1,,W,,, \*1991.05,, \*1991.05,,,, \*1991.05,, \*1991.05  
53,2,,172151-72270,, "U-NUT  
M39",1,1,,1,1,,W,,, \*1991.05,, \*1991.05,,,, \*1991.05,, \*1991.05  
54,2,,172124-72200,, "HEAD 90 55  
W/BUSH",1,1,,1,1,,W,,, \*1991.05,, \*1991.05,,,, \*1991.05,, \*1991.05  
56,3,,172151-72240,, "BUSH 55 35,  
ROD",1,1,,1,1,,W,,, \*1991.05,, \*1991.05,,,, \*1991.05,, \*1991.05  
57,2,,24761-040000,, "NIPPLE  
B,GREASE",1,1,,1,1,,W,,, \*1991.05,, \*1991.05,,,, \*1991.05,, \*1991.05

Fig. **66** アームシリンダ  
ARM CYLINDER

SPEC. CODE  
D72124-72100  
D72132-72100  
D72132-72110

セイサンヨウ  
PRODUCTION PART



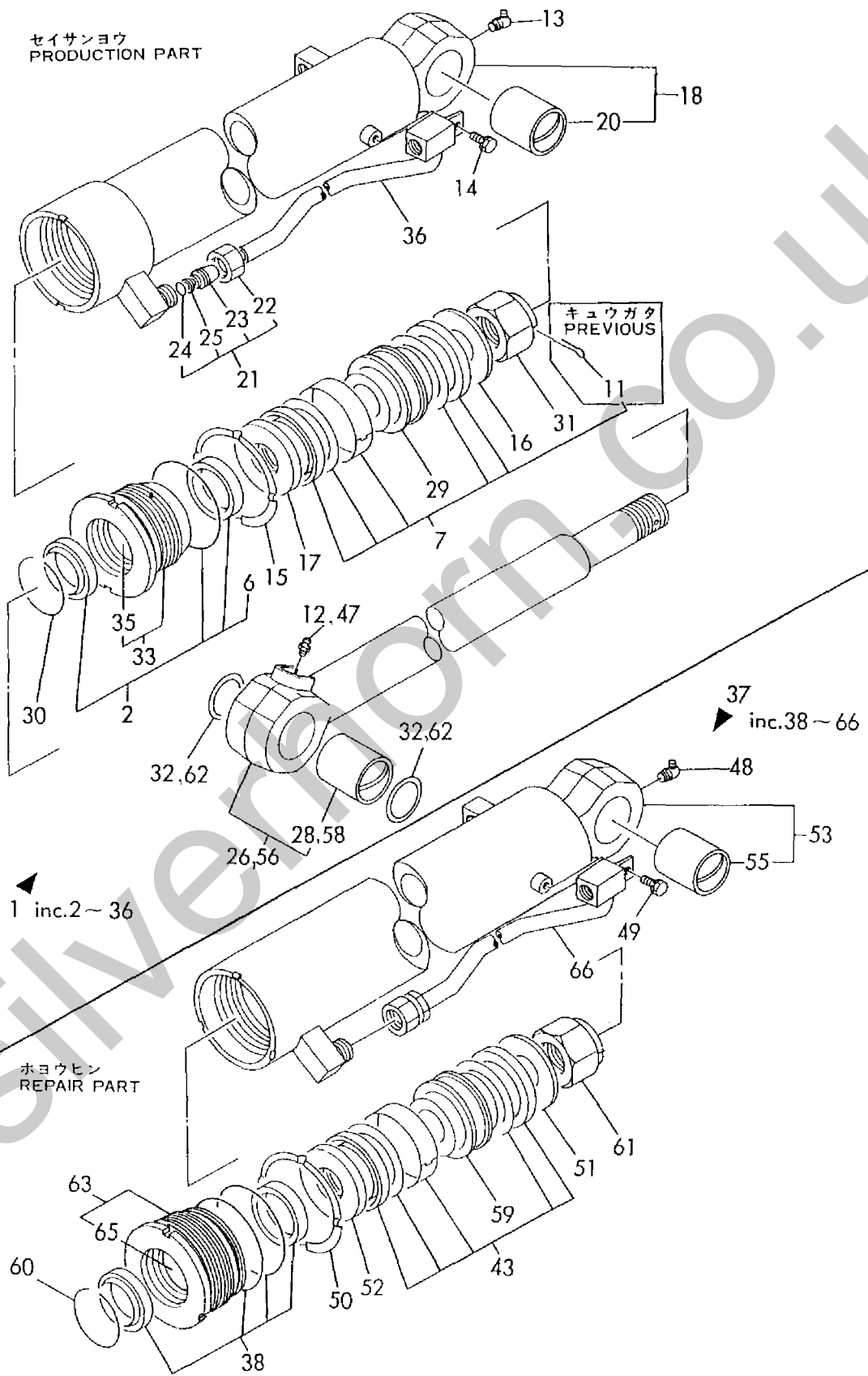


61,2,,933111-20200,, "U-NUT  
M33" ,1,1,,1,1,,W,,, \*1991.05,, \*1991.05,,,, \*1991.05,, \*1991.05  
62,2,,933126-44500,, "SEAL  
VAY45X55X4,DUST" ,2,2,,2,2,,W,,, \*1991.05,, \*1991.05,,,, \*1991.05,, \*1991.05  
63,2,,172124-72230,, "HEAD 95X55  
COMPL." ,1,1,,1,1,,W,,, \*1991.05,, \*1991.05,,,, \*1991.05,, \*1991.05  
65,3,,172151-72240,, "BUSH 55 35,  
ROD" ,1,1,,1,1,,W,,, \*1991.05,, \*1991.05,,,, \*1991.05,, \*1991.05  
66,2,,933137-40102,, "PIPE (R),  
BUCKET" ,1,1,,1,1,,W,,, \*1991.05,, \*1991.05,,,, \*1991.05,, \*1991.05

Silverhorn.CO.UK

SPEC. CODE  
D72124-72100  
D72132-72100  
D72132-72110

Fig. 67 バケツシリンダ  
BUCKET CYLINDER

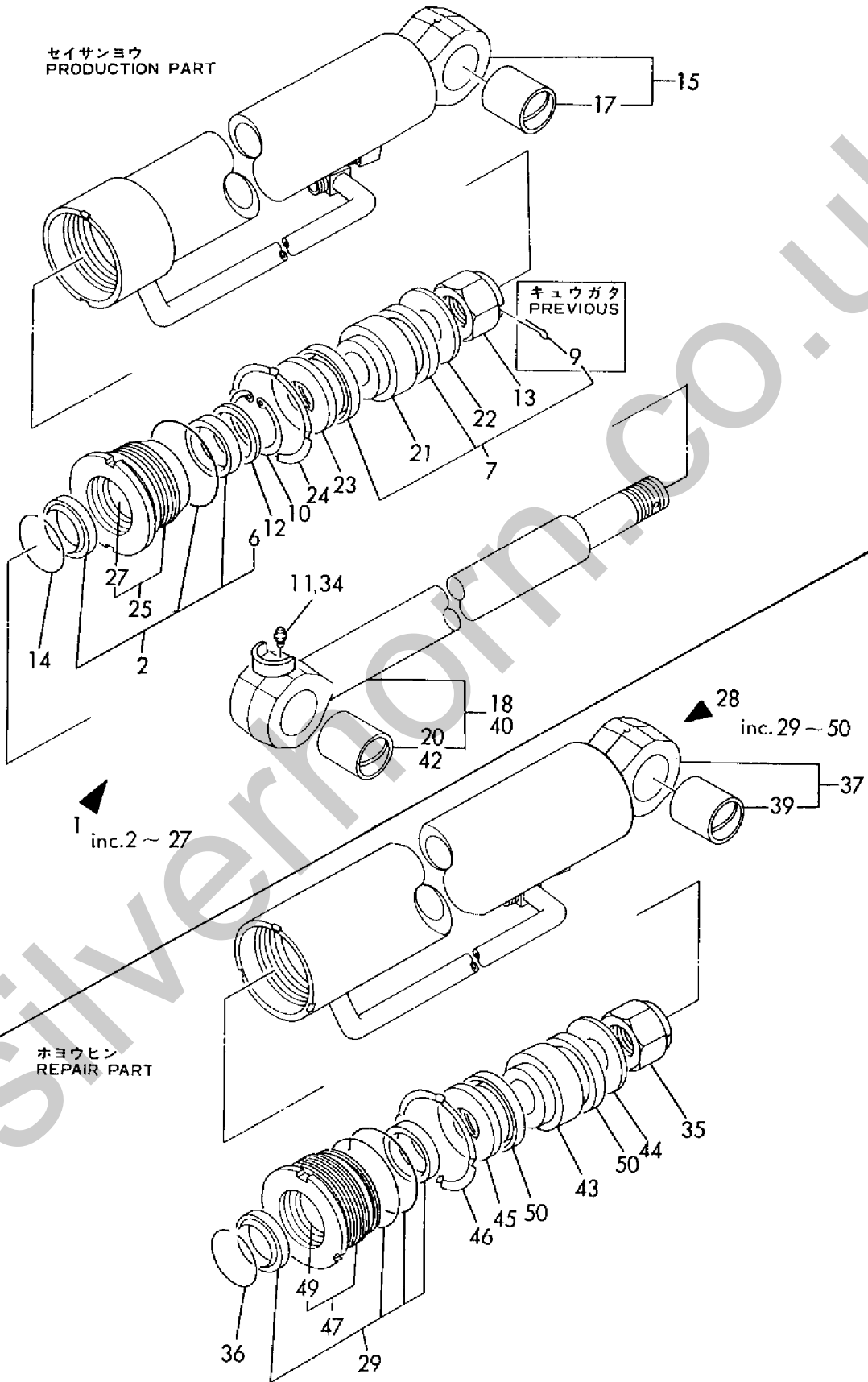


1,1,,933120-82600,,,"CYLINDER ASSY, SWING",1,1,,1,1,,1,,,,,,,,,,,,,  
2,2,,933138-34500,,,"SEAL SET, HEAD",1,1,,1,1,,,,,,,,,,,,,  
6,3,,22417-500500,,,"COTTER PIN  
5.0X50",1,1,,1,1,,Z,,,,\*1990.07,,\*1990.07,,,,\*1990.07,,\*1990.07  
7,2,,933138-75400,,,"SEAL SET, PISTON",1,1,,1,1,,,,,,,,,,,,,  
9,3,,22417-500500,,,"COTTER PIN  
5.0X50",1,1,,1,1,,Z,,,,\*1990.07,,\*1990.07,,,,\*1990.07,,\*1990.07  
10,2,,22252-000550,,,"CIRCLIP 55",1,1,,1,1,,,,,,,,,,,,,  
11,2,,24761-020000,,,"NIPPLE PT1/8,GREASE",1,1,,1,1,,,,,,,,,,,,,  
12,2,,933111-06000,,,"GLAND 55 40, GASKET",1,1,,1,1,,,,,,,,,,,,,  
13,2,,933111-20400,,,"CASTLE NUT M27",1,1,,1,1,,,,,,,,,,,,,  
13-1,2,,172141-72250,,,"U-NUT  
M27",1,1,,1,1,,S,,,,\*1990.07,,\*1990.07,,,,\*1990.07,,\*1990.07  
14,2,,933111-26600,,,"RING 55, SPRING",1,1,,1,1,,,,,,,,,,,,,  
15,2,,933721-82600,,,"TUBE ASSY, SWING",1,1,,1,1,,,,,,,,,,,,,  
17,3,,933125-22500,,,"BUSH 40X50, PIN",1,1,,1,1,,,,,,,,,,,,,  
18,2,,933722-49200,,,"ROD ASSY, SWING",1,1,,1,1,,,,,,,,,,,,,  
20,3,,933125-22500,,,"BUSH 40X50, PIN",1,1,,1,1,,,,,,,,,,,,,  
21,2,,933124-01300,,,"PISTON 90 (C)",1,1,,1,1,,,,,,,,,,,,,  
22,2,,933124-89400,,,"GLAND 90 6 B,GASKET",1,1,,1,1,,,,,,,,,,,,,  
23,2,,933124-89500,,,"GLAND 90 12 B,GASKET",1,1,,1,1,,,,,,,,,,,,,  
24,2,,933125-75100,,,"WASHER 90",1,1,,1,1,,,,,,,,,,,,,  
25,2,,933134-08200,,,"HEAD 90 40",1,1,,1,1,,,,,,,,,,,,,  
27,3,,933111-02000,,,"BUSH 40 40, ROD",1,1,,1,1,,,,,,,,,,,,,  
28,1,,933120-82601,,,"CYLINDER ASSY,  
SWING",1,1,,1,1,,W,2,,\*1991.05,,\*1991.05,,,,\*1991.05,,\*1991.05  
29,2,,933138-34501,,,"SEAL SET  
90X40,HEAD",1,1,,1,1,,W,,,,\*1991.05,,\*1991.05,,,,\*1991.05,,\*1991.05  
34,2,,24761-020000,,,"NIPPLE  
PT1/8,GREASE",1,1,,1,1,,W,,,,\*1991.05,,\*1991.05,,,,\*1991.05,,\*1991.05  
35,2,,172141-72250,,,"U-NUT  
M27",1,1,,1,1,,W,,,,\*1991.05,,\*1991.05,,,,\*1991.05,,\*1991.05  
36,2,,933111-26600,,,"RING 55,  
SPRING",1,1,,1,1,,W,,,,\*1991.05,,\*1991.05,,,,\*1991.05,,\*1991.05  
37,2,,933721-82601,,,"TUBE W/BUSH,  
SWING",1,1,,1,1,,W,,,,\*1991.05,,\*1991.05,,,,\*1991.05,,\*1991.05  
39,3,,933125-22500,,,"BUSH 40X50,  
PIN",1,1,,1,1,,W,,,,\*1991.05,,\*1991.05,,,,\*1991.05,,\*1991.05  
40,2,,933722-49200,,,"ROD ASSY,  
SWING",1,1,,1,1,,W,,,,\*1991.05,,\*1991.05,,,,\*1991.05,,\*1991.05  
42,3,,933125-22500,,,"BUSH 40X50,  
PIN",1,1,,1,1,,W,,,,\*1991.05,,\*1991.05,,,,\*1991.05,,\*1991.05  
43,2,,933124-01300,,,"PISTON 90  
(C)",1,1,,1,1,,W,,,,\*1991.05,,\*1991.05,,,,\*1991.05,,\*1991.05  
44,2,,933124-89400,,,"GLAND 90 6  
B,GASKET",1,1,,1,1,,W,,,,\*1991.05,,\*1991.05,,,,\*1991.05,,\*1991.05  
45,2,,933124-89500,,,"GLAND 90 12  
B,GASKET",1,1,,1,1,,W,,,,\*1991.05,,\*1991.05,,,,\*1991.05,,\*1991.05  
46,2,,172151-72870,,,"LOCK WASHER  
90",1,1,,1,1,,W,,,,\*1991.05,,\*1991.05,,,,\*1991.05,,\*1991.05  
47,2,,172124-72420,,,"HEAD 90X40  
COMPL.",1,1,,1,1,,W,,,,\*1991.05,,\*1991.05,,,,\*1991.05,,\*1991.05  
49,3,,933135-14600,,,"BUSH 40 30,  
ROD",1,1,,1,1,,W,,,,\*1991.05,,\*1991.05,,,,\*1991.05,,\*1991.05  
50,3,,933127-15100,,,"PACKING 907012,  
ODI",2,2,,2,2,,W,,,,\*1991.05,,\*1991.05,,,,\*1991.05,,\*1991.05

Fig. **68** スイングシリンダ  
SWING CYLINDER

SPEC. CODE  
D72124-72100

セイサンヨウ  
PRODUCTION PART



ホヨウヒン  
REPAIR PART



1,1,,933120-83400,, "CYLINDER ASSY, SWING",1,1,,1,1,,1,1,,,,,  
1-1,1,,933120-83401,, "CYLINDER ASSY,  
SWING",1,1,,1,1,,R,1,,M20501,,M20501,,,,M20501,,M20501  
1-2,1,,933120-83402,, "CYLINDER ASSY,  
SWING",1,1,,1,1,,R,1,,M20544,,M20544,,,,M20507,,M20507  
2-1,2,,933138-40400,, "SEAL SET, HEAD",1,1,,1,1,,2,,,,,  
8,3,,22417-500500,, "COTTER PIN  
5.0X50",1,1,,1,1,,Z,,,,\*1990.07,,\*1990.07,,,,\*1990.07,,\*1990.07  
9-1,2,,933138-75600,, "SEAL SET, PISTON",1,1,,1,1,,2,,,,,  
9-2,2,,172122-72150,, "SEAL SET, PISTON  
90",1,1,,1,1,,S,,,,M20501,,M20501,,,,M20501,,M20501  
9-3,2,,772122-72150,, "SEAL SET, PISTON  
90",1,1,,1,1,,S,,,,M20559,,M20559,,,,M20559,,M20559  
9-4,2,,172122-72151,, "SEAL SET, PISTON  
90",1,1,,1,1,,S,,,,\*1987.08,,\*1987.08,,,,\*1987.08,,\*1987.08  
15,3,,22417-500500,, "COTTER PIN  
5.0X50",1,1,,1,1,,Z,,,,\*1990.07,,\*1990.07,,,,\*1990.07,,\*1990.07  
16,2,,22242-000220,, "CIRCLIP 22",1,1,,1,1,,,,,  
16-1,2,,172142-72810,, "CIRCLIP  
22",1,1,,1,1,,S,,,,M20674,,M20674,,,,M20526,,M20526  
17,2,,24761-050000,, "NIPPLE C,GREASE",1,1,,1,1,,,,,  
18,2,,933111-20400,, "CASTLE NUT M27",1,1,,1,1,,,,,  
18-1,2,,172141-72250,, "U-NUT  
M27",1,1,,1,1,,S,,,,\*1990.07,,\*1990.07,,,,\*1990.07,,\*1990.07  
19,2,,933111-26600,, "RING 55, SPRING",1,1,,1,1,,,,,  
20,2,,933721-83400,, "TUBE ASSY, SWING",1,1,,1,1,,,,,  
20-1,2,,933721-83401,, "TUBE ASSY,  
SWING",1,1,,1,1,,S,,,,M20501,,M20501,,,,M20501,,M20501  
22,3,,933125-22500,, "BUSH 40X50, PIN",1,1,,1,1,,,,,  
23,2,,933722-49900,, "ROD ASSY, SWING",1,1,,1,1,,,,,  
23-1,2,,933722-49901,, "ROD W/BUSH,  
SWING",1,1,,1,1,,S,,,,M20674,,M20674,,,,M20526,,M20526  
25,3,,933125-22500,, "BUSH 40X50, PIN",1,1,,1,1,,,,,  
26,2,,933124-01500,, "PISTON 90 E",1,1,,1,1,,,,,  
26-1,2,,172122-72120,, "PISTON 90  
I",1,1,,1,1,,S,,,,M20501,,M20501,,,,M20501,,M20501  
26-2,2,,172122-72121,, "PISTON 90  
I",1,1,,1,1,,S,,,,M20529,,M20529,,,,M20506,,M20506  
26-3,2,,172122-72122,, "PISTON 90  
(I)",1,1,,1,1,,S,,,,M20573,,M20573,,,,M20512,,M20512  
27,2,,933124-89400,, "GLAND 90 6  
B,GASKET",2,2,,2,2,,Z,,,,M20529,,M20529,,,,M20506,,M20506  
28,2,,172122-72460,, "GLAND 90 5,  
GASKET",1,1,,1,1,,W,,,,M20529,,M20529,,,,M20506,,M20506  
28-1,2,,172122-72461,, "GLAND 90 8  
A,GASKET",1,1,,1,1,,S,,,,M20573,,M20573,,,,M20512,,M20512  
29,2,,933125-75100,, "WASHER 90",1,1,,1,1,,,,,  
30,2,,933134-08700,, "HEAD 9040 B W/BUSH",1,1,,1,1,,,,,  
30-1,2,,933134-08701,, "HEAD 9040 B  
W/BUSH",1,1,,1,1,,S,,,,M20529,,M20529,,,,M20529,,M20529  
32,3,,933111-02000,, "BUSH 40 40, ROD",1,1,,1,1,,,,,  
33,2,,933127-20000,, "CUSHION PLUNGER 35 B",1,1,,1,1,,,,,  
33-1,2,,172137-72710,, "COLLAR 40B,  
CUSHION",1,1,,1,1,,S,,,,M20529,,M20529,,,,M20529,,M20529  
34,2,,933127-23000,, "CUSHION PLUNGER 48 B",1,1,,1,1,,,,,  
34-1,2,,933127-23001,, "CUSHION PLUNGER 44  
C",1,1,,1,1,,S,,,,M20529,,M20529,,,,M20529,,M20529  
35,2,,172137-72720,, "COLLAR 40A,  
CUSHION",1,1,,1,1,,W,,,,M20529,,M20529,,,,M20529,,M20529  
36,2,,172137-72730,, "RING 44B,  
CUSHION",1,1,,1,1,,W,,,,M20529,,M20529,,,,M20529,,M20529  
37,2,,172135-72800,, "RING 40 B,  
CUSHION",1,1,,1,1,,W,,,,M20529,,M20529,,,,M20529,,M20529

38,2,,22252-000561,, "CIRCLIP  
56",1,1,,1,1,,W,, ,M20529,,M20529,,,,M20529,,M20529  
39,1,,172132-72510,, "STAY, CYL.COVER",1,1,,1,1,,,,,,,,,  
40,1,,172132-72521,, "COVER, SWING",1,1,,1,1,,,,,,,,,  
41,1,,22157-100000,, "WASHER 10",2,2,,2,2,,,,,,,,,  
42,1,,26013-080162,, "BOLT W/WASHER M8X16",2,2,,2,2,,,,,,,,,  
43,1,,26013-100202,, "BOLT W/WASHER M10X20",2,2,,2,2,,,,,,,,,  
44,1,,933120-83403,, "CYLINDER ASSY,  
SWING",1,1,,1,1,,W,3,,\*1991.05,,\*1991.05,,,,\*1991.05,,\*1991.05  
45,2,,172151-71860,, "SEAL SET,  
HEAD",1,1,,1,1,,W,, ,\*1991.05,,\*1991.05,,,,\*1991.05,,\*1991.05  
52,2,,172122-72152,, "SEAL SET 90,  
PISTON",1,1,,1,1,,W,, ,\*1991.05,,\*1991.05,,,,\*1991.05,,\*1991.05  
57,2,,172142-72810,, "CIRCLIP  
22",1,1,,1,1,,W,, ,\*1991.05,,\*1991.05,,,,\*1991.05,,\*1991.05  
58,2,,24761-050000,, "NIPPLE  
C,GREASE",1,1,,1,1,,W,, ,\*1991.05,,\*1991.05,,,,\*1991.05,,\*1991.05  
59,2,,172141-72250,, "U-NUT  
M27",1,1,,1,1,,W,, ,\*1991.05,,\*1991.05,,,,\*1991.05,,\*1991.05  
60,2,,933111-26600,, "RING 55,  
SPRING",1,1,,1,1,,W,, ,\*1991.05,,\*1991.05,,,,\*1991.05,,\*1991.05  
61,2,,933721-83402,, "TUBE W/BUSH,  
SWING",1,1,,1,1,,W,, ,\*1991.05,,\*1991.05,,,,\*1991.05,,\*1991.05  
63,3,,933125-22500,, "BUSH 40X50,  
PIN",1,1,,1,1,,W,, ,\*1991.05,,\*1991.05,,,,\*1991.05,,\*1991.05  
64,2,,933722-49901,, "ROD W/BUSH,  
SWING",1,1,,1,1,,W,, ,\*1991.05,,\*1991.05,,,,\*1991.05,,\*1991.05  
66,3,,933125-22500,, "BUSH 40X50,  
PIN",1,1,,1,1,,W,, ,\*1991.05,,\*1991.05,,,,\*1991.05,,\*1991.05  
67,2,,172122-72122,, "PISTON 90  
(I)",1,1,,1,1,,W,, ,\*1991.05,,\*1991.05,,,,\*1991.05,,\*1991.05  
68,2,,172122-72461,, "GLAND 90 8  
A,GASKET",1,1,,1,1,,W,, ,\*1991.05,,\*1991.05,,,,\*1991.05,,\*1991.05  
69,2,,172151-72870,, "LOCK WASHER  
90",1,1,,1,1,,W,, ,\*1991.05,,\*1991.05,,,,\*1991.05,,\*1991.05  
70,2,,172151-72840,, "HEAD 90  
50",1,1,,1,1,,W,, ,\*1991.05,,\*1991.05,,,,\*1991.05,,\*1991.05  
72,3,,933135-14600,, "BUSH 40 30,  
ROD",1,1,,1,1,,W,, ,\*1991.05,,\*1991.05,,,,\*1991.05,,\*1991.05  
73,2,,172137-72710,, "COLLAR 40B,  
CUSHION",1,1,,1,1,,W,, ,\*1991.05,,\*1991.05,,,,\*1991.05,,\*1991.05  
74,2,,933127-23001,, "CUSHION PLUNGER 44  
C",1,1,,1,1,,W,, ,\*1991.05,,\*1991.05,,,,\*1991.05,,\*1991.05  
75,2,,172137-72720,, "COLLAR 40A,  
CUSHION",1,1,,1,1,,W,, ,\*1991.05,,\*1991.05,,,,\*1991.05,,\*1991.05  
76,2,,172137-72730,, "RING 44B,  
CUSHION",1,1,,1,1,,W,, ,\*1991.05,,\*1991.05,,,,\*1991.05,,\*1991.05  
77,2,,172135-72800,, "RING 40 B,  
CUSHION",1,1,,1,1,,W,, ,\*1991.05,,\*1991.05,,,,\*1991.05,,\*1991.05  
78,2,,22252-000561,, "CIRCLIP  
56",1,1,,1,1,,W,, ,\*1991.05,,\*1991.05,,,,\*1991.05,,\*1991.05  
79,1,,172132-72510,, "STAY,  
CYL.COVER",1,1,,1,1,,W,, ,\*1991.05,,\*1991.05,,,,\*1991.05,,\*1991.05  
80,1,,172132-72521,, "COVER,  
SWING",1,1,,1,1,,W,, ,\*1991.05,,\*1991.05,,,,\*1991.05,,\*1991.05  
81,1,,22157-100000,, "WASHER  
10",2,2,,2,2,,W,, ,\*1991.05,,\*1991.05,,,,\*1991.05,,\*1991.05  
82,1,,26013-080162,, "BOLT W/WASHER  
M8X16",2,2,,2,2,,W,, ,\*1991.05,,\*1991.05,,,,\*1991.05,,\*1991.05  
83,1,,26013-100202,, "BOLT W/WASHER  
M10X20",2,2,,2,2,,W,, ,\*1991.05,,,,,,\*1991.05,,\*1991.05



1,1,,933120-82700,, "CYLINDER ASSY, BLADE",1,1,,1,1,,1,1,,,,,  
2,2,,933138-40200,, "SEAL SET, HEAD",1,1,,1,1,,,,,  
6,3,,22417-500500,, "COTTER PIN  
5.0X50",1,1,,1,1,,Z,,, \*1990.07,, \*1990.07,,,, \*1990.07,, \*1990.07  
7,2,,933138-75300,, "SEAL SET, PISTON",1,1,,1,1,,,,,  
11,3,,22417-500500,, "COTTER PIN  
5.0X50",1,1,,1,1,,Z,,, \*1991.05,, \*1991.05,,,, \*1991.05,, \*1991.05  
12,2,,22252-000700,, "CIRCLIP 70",1,1,,1,1,,,,,  
13,2,,26013-100202,, "BOLT W/WASHER M10X20",2,2,,2,2,,,,,  
14,2,,933721-82700,, "TUBE ASSY, BLADE",1,1,,1,1,,,,,  
14-1,2,,933721-82701,, "TUBE ASSY,  
BLADE",1,1,,1,1,,S,,, \*1988.09,, \*1988.09,,,, \*1988.09,, \*1988.09  
16,3,,933125-30200,, "BUSH 45 60 B, PIN",1,1,,1,1,,,,,  
17,2,,933131-60700,, "JOINT 17.3, COLLET",2,2,,2,2,,,,,  
18,3,,933131-60900,, "NUT",2,2,,2,2,,,,,  
19,3,,933131-61000,, "SLEEVE",2,2,,2,2,,,,,  
20,3,,933131-61100,, "O-RING",2,2,,2,2,,,,,  
21,3,,933131-61200,, "RING, BUCK UP",2,2,,2,2,,,,,  
22,3,,172116-76210,, "SPACER, COLLET",2,2,,2,2,,,,,  
23,2,,933722-67800,, "ROD ASSY, BLADE",1,1,,1,1,,,,,  
25,3,,933125-30200,, "BUSH 45 60 B, PIN",1,1,,1,1,,,,,  
26,2,,933124-01101,, "PISTON 90",1,1,,1,1,,,,,  
27,2,,933124-30500,, "GLAND 71 55, GASKET",1,1,,1,1,,,,,  
28,2,,933124-89200,, "GLAND 90 6, GASKET",1,1,,1,1,,,,,  
29,2,,933124-89300,, "GLAND 90 12, GASKET",1,1,,1,1,,,,,  
30,2,,933125-75100,, "WASHER 90",1,1,,1,1,,,,,  
31,2,,933126-00500,, "RING 72, SPRING",1,1,,1,1,,,,,  
32,2,,933126-25200,, "CASTLE NUT M39",1,1,,1,1,,,,,  
33,2,,933134-20001,, "HEAD 90 55",1,1,,1,1,,,,,  
35,3,,933135-20500,, "BUSH 55 40, ROD",1,1,,1,1,,,,,  
36,2,,933136-41100,, "PIPE (H), BLADE",1,1,,1,1,,,,,  
36-1,2,,933136-41102,, "PIPING H  
COMP., BLADE",1,1,,1,1,,S,,, \*1988.09,, \*1988.09,,,, \*1988.09,, \*1988.09  
37,2,,933136-41200,, "PIPE (R), BLADE",1,1,,1,1,,,,,  
38,1,,933120-82701,, "CYLINDER ASSY,  
BLADE",1,1,,1,1,,W,2,, \*1991.05,, \*1991.05,,,, \*1991.05,, \*1991.05  
39,2,,933138-40201,, "SEAL SET  
90X50, HEAD",1,1,,1,1,,W,,, \*1991.05,, \*1991.05,,,, \*1991.05,, \*1991.05  
44,2,,933138-75300,, "SEAL SET,  
PISTON",1,1,,1,1,,W,,, \*1991.05,, \*1991.05,,,, \*1991.05,, \*1991.05  
48,2,,26013-100202,, "BOLT W/WASHER  
M10X20",2,2,,2,2,,W,,, \*1991.05,, \*1991.05,,,, \*1991.05,, \*1991.05  
49,2,,933721-82702,, "TUBE ASSY,  
BLADE",1,1,,1,1,,W,,, \*1991.05,, \*1991.05,,,, \*1991.05,, \*1991.05  
51,3,,933125-30200,, "BUSH 45 60 B,  
PIN",1,1,,1,1,,W,,, \*1991.05,, \*1991.05,,,, \*1991.05,, \*1991.05  
52,2,,933722-67800,, "ROD ASSY,  
BLADE",1,1,,1,1,,W,,, \*1991.05,, \*1991.05,,,, \*1991.05,, \*1991.05  
54,3,,933125-30200,, "BUSH 45 60 B,  
PIN",1,1,,1,1,,W,,, \*1991.05,, \*1991.05,,,, \*1991.05,, \*1991.05  
55,2,,933124-01101,, "PISTON  
90",1,1,,1,1,,W,,, \*1991.05,, \*1991.05,,,, \*1991.05,, \*1991.05  
56,2,,933124-89200,, "GLAND 90 6,  
GASKET",1,1,,1,1,,W,,, \*1991.05,, \*1991.05,,,, \*1991.05,, \*1991.05  
57,2,,933124-89300,, "GLAND 90 12,  
GASKET",1,1,,1,1,,W,,, \*1991.05,, \*1991.05,,,, \*1991.05,, \*1991.05  
58,2,,172151-72870,, "LOCK WASHER  
90",1,1,,1,1,,W,,, \*1991.05,, \*1991.05,,,, \*1991.05,, \*1991.05  
59,2,,933126-00500,, "RING 72,  
SPRING",1,1,,1,1,,W,,, \*1991.05,, \*1991.05,,,, \*1991.05,, \*1991.05  
60,2,,172151-72270,, "U-NUT  
M39",1,1,,1,1,,W,,, \*1991.05,, \*1991.05,,,, \*1991.05,, \*1991.05

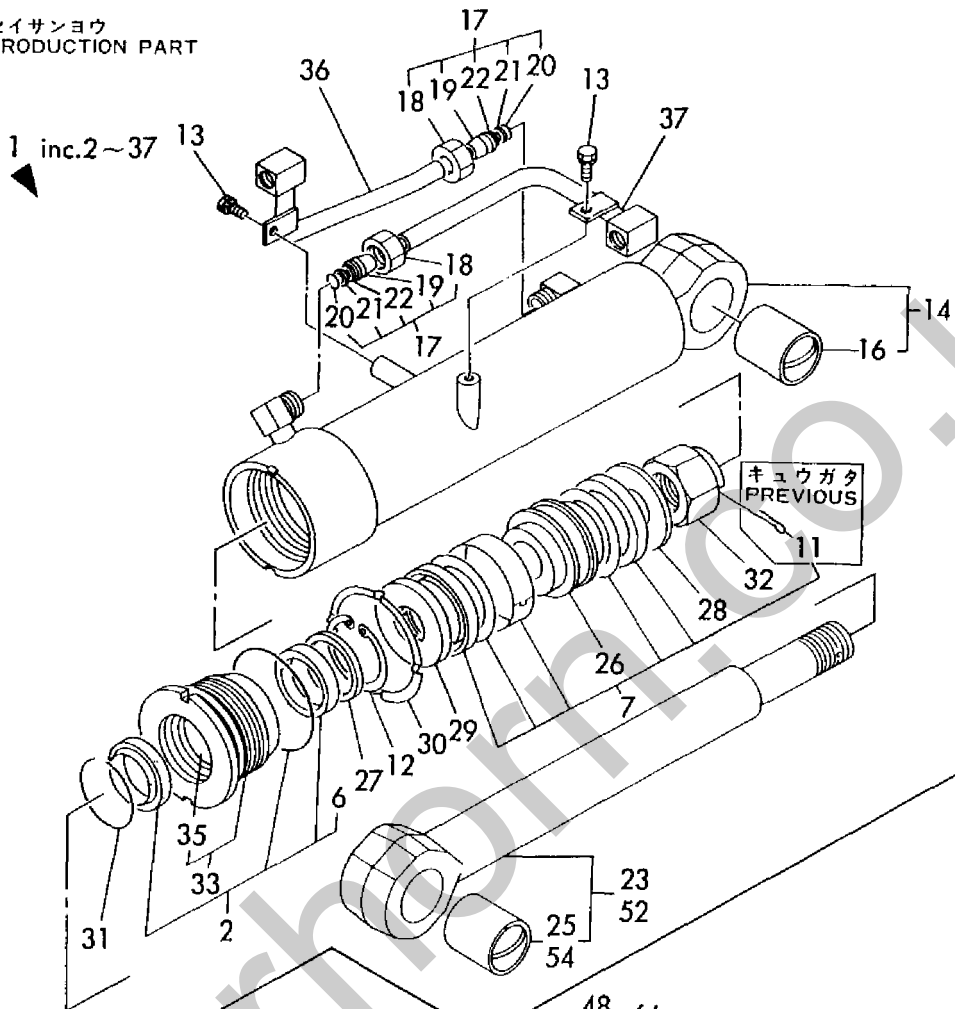
61,2,,172124-72200,, "HEAD 90 55  
W/BUSH",1,1,,1,1,,W,,, \*1991.05,, \*1991.05,,,, \*1991.05,, \*1991.05  
63,3,,172151-72240,, "BUSH 55 35,  
ROD",1,1,,1,1,,W,,, \*1991.05,, \*1991.05,,,, \*1991.05,, \*1991.05  
64,2,,933136-41103,, "PIPING H  
COMP.,BLADE",1,1,,1,1,,W,,, \*1991.05,, \*1991.05,,,, \*1991.05,, \*1991.05  
65,2,,933136-41202,, "PIPING R  
COMP.,BLADE",1,1,,1,1,,W,,, \*1991.05,, \*1991.05,,,, \*1991.05,, \*1991.05  
66,2,,22137-100000,, "WASHER  
10,POLISHED",2,2,,2,2,,W,,, \*1991.05,, \*1991.05,,,, \*1991.05,, \*1991.05

Silverhorn.CO.UK

Fig. 70 ブレードシリンダ  
BLADE CYLINDER

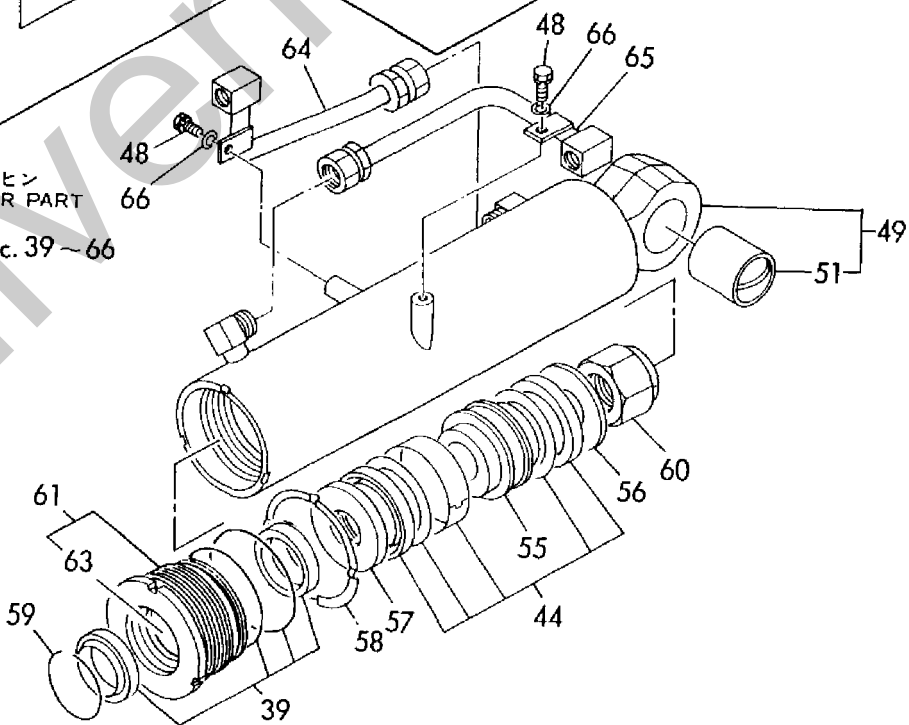
SPEC. CODE  
D72124-72100  
D72132-72100  
D72132-72110

セイサンヨウ  
PRODUCTION PART



ホヨウヒン  
REPAIR PART

38 inc. 39~66

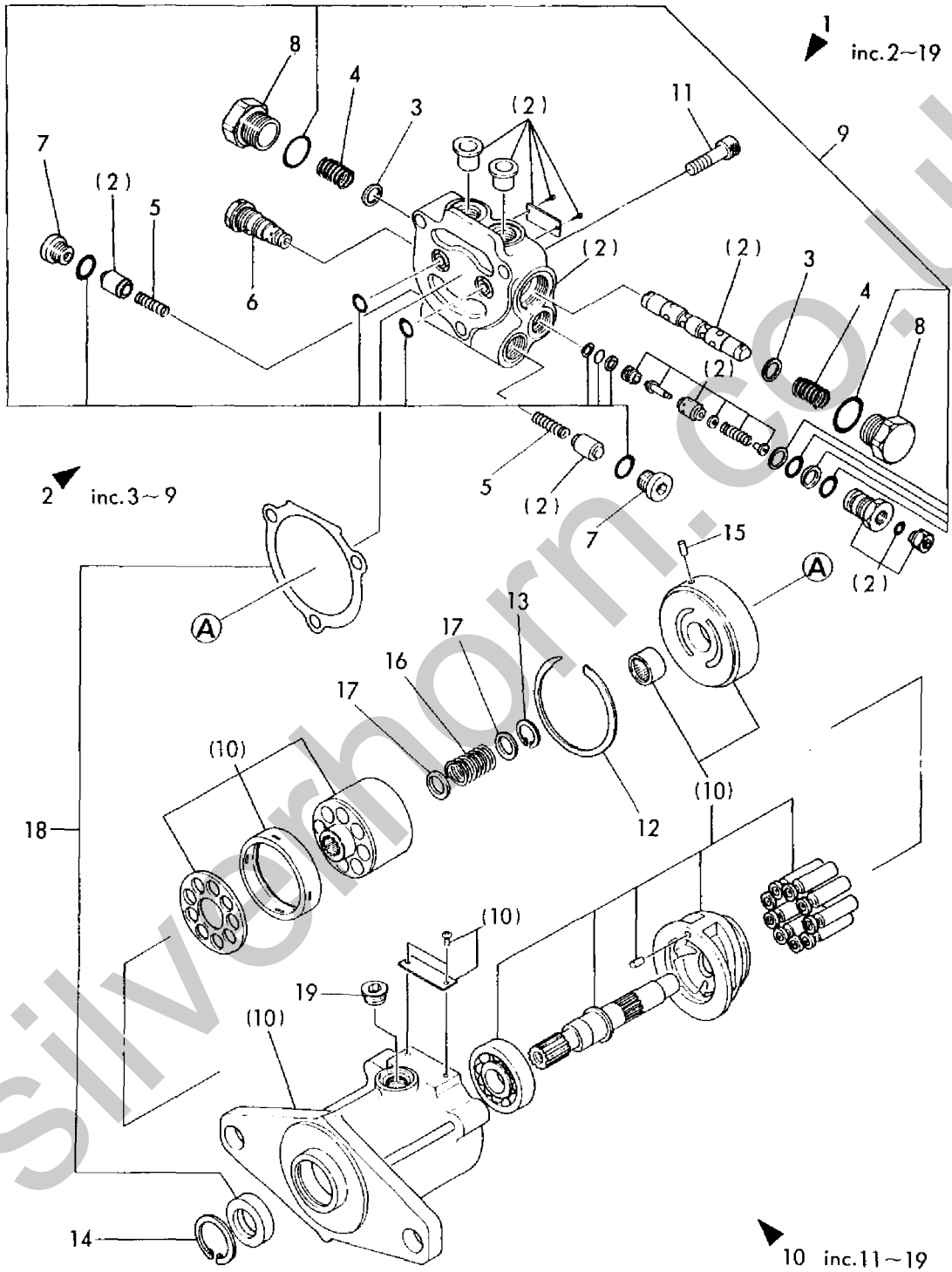


1,1,,172124-73300,, "MOTOR ASSY,TURNING",1,1,,1,1,,,,,,,,,,,,,  
2,2,,172124-70700,, "VALVE, BRAKE",1,1,,1,1,,,,,,,,,,,,,  
3,3,,172122-70460,, "SPRING SEAT",2,2,,2,2,,,,,,,,,,,,,  
4,3,,172122-70470,, "SPRING",2,2,,2,2,,,,,,,,,,,,,  
5,3,,172122-70710,, "SPRING",2,2,,2,2,,,,,,,,,,,,,  
6,3,,172124-70710,, "VALVE, RELEAF",2,2,,2,2,,,,,,,,,,,,,  
7,3,,172122-70720,, "PLUG",2,2,,2,2,,,,,,,,,,,,,  
8,3,,172122-70740,, "CAP",2,2,,2,2,,,,,,,,,,,,,  
9,3,,172122-70750,, "VALVE SEATSET",1,1,,1,1,,,,,,,,,,,,,  
10,2,,172112-74351,, "PISTON MOTOR",1,1,,1,1,,,,,,,,,,,,,  
11,3,,172122-70610,, "BOLT, SOCKET",3,3,,3,3,,,,,,,,,,,,,  
12,3,,172122-70620,, "SNAP RING",1,1,,1,1,,,,,,,,,,,,,  
13,3,,172122-70630,, "SNAP RING",1,1,,1,1,,,,,,,,,,,,,  
14,3,,172122-70640,, "SNAP RING",1,1,,1,1,,,,,,,,,,,,,  
15,3,,172122-70650,, "PARALLEL PIN",1,1,,1,1,,,,,,,,,,,,,  
16,3,,172122-70660,, "SPRING",1,1,,1,1,,,,,,,,,,,,,  
17,3,,172122-70670,, "WASHER",2,2,,2,2,,,,,,,,,,,,,  
18,3,,172122-70680,, "SEAL SET, MOTOR",1,1,,1,1,,,,,,,,,,,,,  
19,3,,23871-030000,, "PLUG PT3/8,SCREW",2,2,,2,2,,,,,,,,,,,,,

Silverhorn.CO.UK

Fig. **71** センカイモータ  
TURNING MOTOR

SPEC. CODE  
D72124-73300





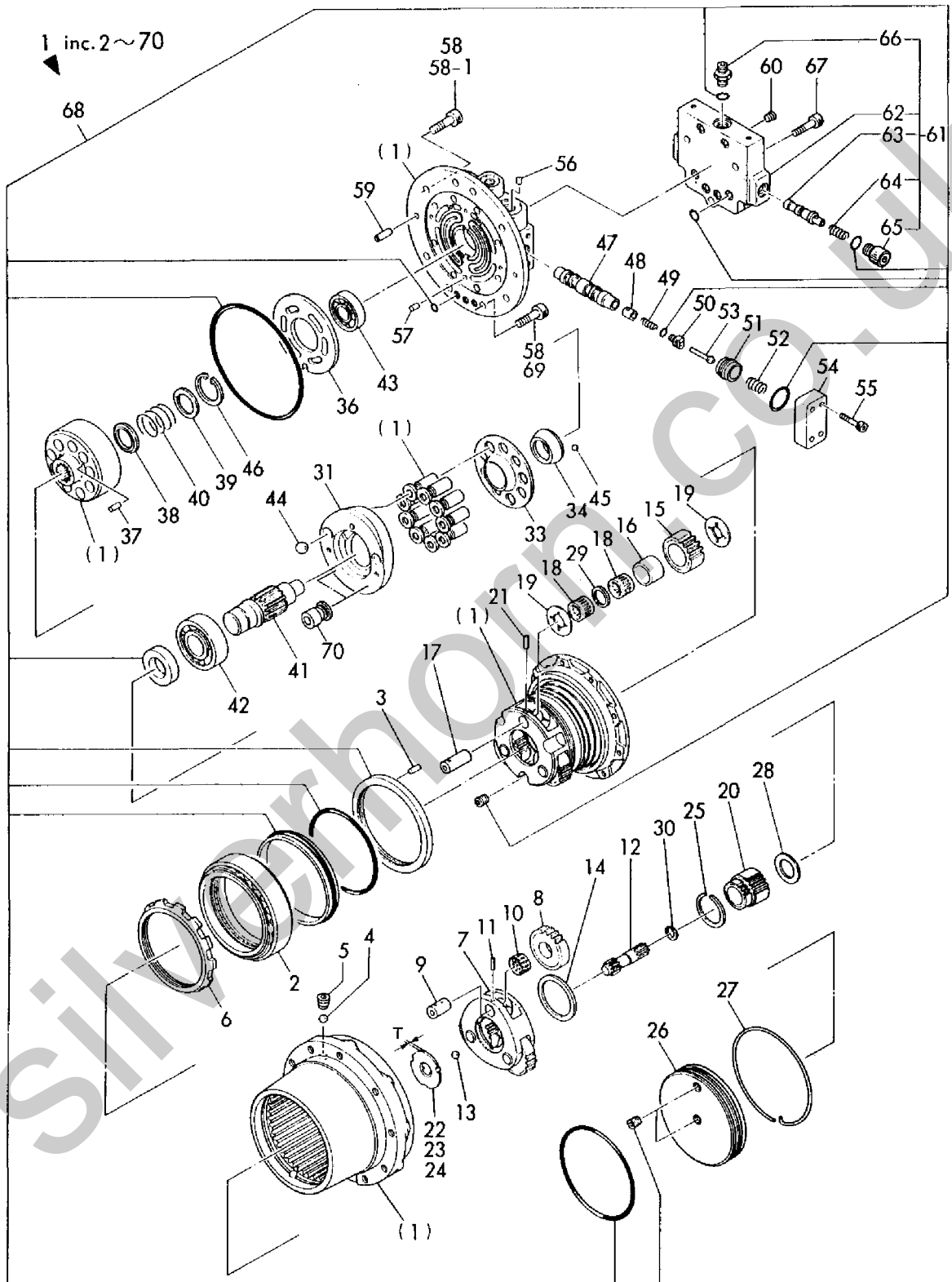
1,1,,172124-73310,, "MOTOR ASSY, DRIVING",2,2,,2,2,,,,,,,,,,,,,  
2,2,,172124-70010,, BEARING,2,2,,2,2,,,,,,,,,,,,,  
3,2,,172124-70020,, PIN,2,2,,2,2,,,,,,,,,,,,,  
4,2,,172124-70030,, BALL,198,198,,198,198,,,,,,,,,,,,,  
5,2,,172122-73430,, PLUG,2,2,,2,2,,,,,,,,,,,,,  
6,2,,172124-70050,, "RING NUT",2,2,,2,2,,,,,,,,,,,,,  
7,2,,172124-70060,, HOLDER,2,2,,2,2,,,,,,,,,,,,,  
8,2,,172124-70070,, "PLANETRY GEAR(A)",6,6,,6,6,,,,,,,,,,,,,  
9,2,,172124-70080,, SHAFT(A),6,6,,6,6,,,,,,,,,,,,,  
10,2,,172124-70090,, "GAUGE & ROLLER",6,6,,6,6,,,,,,,,,,,,,  
11,2,,172124-70100,, "SPRING PIN",6,6,,6,6,,,,,,,,,,,,,  
12,2,,172124-70110,, "GEAR, DRIVE",2,2,,2,2,,,,,,,,,,,,,  
13,2,,172124-70120,, BALL,2,2,,2,2,,,,,,,,,,,,,  
14,2,,172124-70130,, COLLAR,2,2,,2,2,,,,,,,,,,,,,  
15,2,,172124-70140,, "PLANETRY GEAR(B)",6,6,,6,6,,,,,,,,,,,,,  
16,2,,172124-70150,, COLLAR,6,6,,6,6,,,,,,,,,,,,,  
17,2,,172124-70160,, SHAFT(B),6,6,,6,6,,,,,,,,,,,,,  
18,2,,172124-70170,, "GAUGE & ROLLER",12,12,,12,12,,,,,,,,,,,,,  
19,2,,172124-70180,, COLLAR,12,12,,12,12,,,,,,,,,,,,,  
20,2,,172124-70190,, GEAR,2,2,,2,2,,,,,,,,,,,,,  
21,2,,172124-70200,, "SPRING PIN",6,6,,6,6,,,,,,,,,,,,,  
22,2,,172124-70210,, COLLAR,2,2,,2,2,,1,,,,,,,,,,,,,  
23,2,,172124-70220,, COLLAR,2,2,,2,2,,1,,,,,,,,,,,,,  
24,2,,172124-70230,, COLLAR,2,2,,2,2,,1,,,,,,,,,,,,,  
25,2,,172124-70240,, "SNAP RING",2,2,,2,2,,,,,,,,,,,,,  
26,2,,172124-70250,, COVER,2,2,,2,2,,,,,,,,,,,,,  
27,2,,172124-70260,, CABLE,2,2,,2,2,,,,,,,,,,,,,  
28,2,,172124-70270,, COLLAR,2,2,,2,2,,,,,,,,,,,,,  
29,2,,172124-70280,, COLLAR,6,6,,6,6,,,,,,,,,,,,,  
30,2,,172124-70290,, "SNAP RING",2,2,,2,2,,,,,,,,,,,,,  
31,2,,172124-70300,, PLATE,2,2,,2,2,,,,,,,,,,,,,  
33,2,,172122-70370,, "PLATE, RETAINER",2,2,,2,2,,,,,,,,,,,,,  
34,2,,172122-70360,, COLLAER,2,2,,2,2,,,,,,,,,,,,,  
36,2,,172123-70030,, "PLATE, VALVE",2,2,,2,2,,,,,,,,,,,,,  
37,2,,172122-70340,, PIN,6,6,,6,6,,,,,,,,,,,,,  
38,2,,172122-70300,, COLLAR,2,2,,2,2,,,,,,,,,,,,,  
39,2,,172122-70320,, COLLAR,2,2,,2,2,,,,,,,,,,,,,  
40,2,,172122-70310,, SPRING,2,2,,2,2,,,,,,,,,,,,,  
41,2,,172122-70250,, SHAFT,2,2,,2,2,,,,,,,,,,,,,  
42,2,,172122-70260,, BEARING,2,2,,2,2,,,,,,,,,,,,,  
43,2,,172122-70400,, BEARING,2,2,,2,2,,,,,,,,,,,,,  
44,2,,172123-70020,, BALL,4,4,,4,4,,,,,,,,,,,,,  
45,2,,172122-70350,, BALL,2,2,,2,2,,,,,,,,,,,,,  
46,2,,172122-70330,, "SNAP RING",2,2,,2,2,,,,,,,,,,,,,  
47,2,,172124-70310,, PLUNGER,2,2,,2,2,,,,,,,,,,,,,  
48,2,,172122-70520,, PLUG,4,4,,4,4,,,,,,,,,,,,,  
48-1,2,,172122-70430,, "VALVE,  
CHECK",4,4,,4,4,,S,,M00503,,M00503,,,,M00503,,M00503  
49,2,,172122-70440,, SPRING,4,4,,4,4,,,,,,,,,,,,,  
50,2,,172124-70320,, PLUG,4,4,,4,4,,,,,,,,,,,,,  
51,2,,172124-70330,, "SPRING SEAT",4,4,,4,4,,,,,,,,,,,,,  
52,2,,172122-70470,, SPRING,4,4,,4,4,,,,,,,,,,,,,  
53,2,,172124-70350,, "PUSH ROD",4,4,,4,4,,,,,,,,,,,,,  
54,2,,172124-70360,, FLANGE,4,4,,4,4,,,,,,,,,,,,,  
55,2,,172124-70370,, BOLT,16,16,,16,16,,,,,,,,,,,,,  
56,2,,172124-70380,, ORIFICE,4,4,,4,4,,,,,,,,,,,,,  
57,2,,172122-70530,, PIN,2,2,,2,2,,,,,,,,,,,,,  
58,2,,172124-70390,, "BOLT, SOCKET",16,16,,16,16,,,,,,,,,,,,,  
58-1,2,,172124-70390,, "BOLT,  
SOCKET",12,12,,12,12,,K,2,,M00812,,M00812,,,,M00681,,M00681  
59,2,,172122-70410,, PIN,4,4,,4,4,,,,,,,,,,,,,  
60,2,,172124-70400,, PLUG,4,4,,4,4,,,,,,,,,,,,,  
60-1,2,,172122-73430,, PLUG,4,4,,4,4,,S,,M00503,,M00503,,,,M00503,,M00503

61,2,,172124-70570,,VALVE,2,2,,2,2,,,,,,,,,,,,,  
62,3,,172124-70410,, "BODY, VALVE",2,2,,2,2,,,,,,,,,,,,,  
63,3,,172123-70090,,VALVE,4,4,,4,4,,,,,,,,,,,,,  
63-1,3,,172123-70091,,VALVE,4,4,,4,4,,S,,,M00503,,M00503,,,,M00503,,M00503  
64,3,,172123-70010,,PLATE,4,4,,4,4,,,,,,,,,,,,,  
64-1,3,,172123-70101,,SPRING,4,4,,4,4,,S,,,M00503,,M00503,,,,M00503,,M00503  
65,3,,172124-70420,,PLUG,4,4,,4,4,,,,,,,,,,,,,  
66,3,,172123-70121,,PLUG,2,2,,2,2,,,,,,,,,,,,,  
67,2,,172122-70540,, "BOLT, SOCKET",6,6,,6,6,,,,,,,,,,,,,  
67-1,2,,172124-70600,, "BOLT,  
SOCKET",6,6,,6,6,,S,,,M00503,,M00503,,,,M00503,,M00503  
68,2,,172124-70440,, "SEAL SET,DRIVE MOTOR",2,2,,2,2,,,,,,,,,,,,,  
69,2,,172124-70580,, "BOLT, SOCKET  
HEAD",4,4,,4,4,,W,2,,M00812,,M00812,,,,M00681,,M00681  
70,2,,172123-70130,, "PISTON  
S/A",4,4,,4,4,,W,,, \*1988.08,, \*1988.08,,,, \*1988.08,, \*1988.08

Silverhorn.CO.UK

Fig. **72** ソウコウモータ  
TRAVEL MOTOR

SPEC. CODE  
D72124-73310

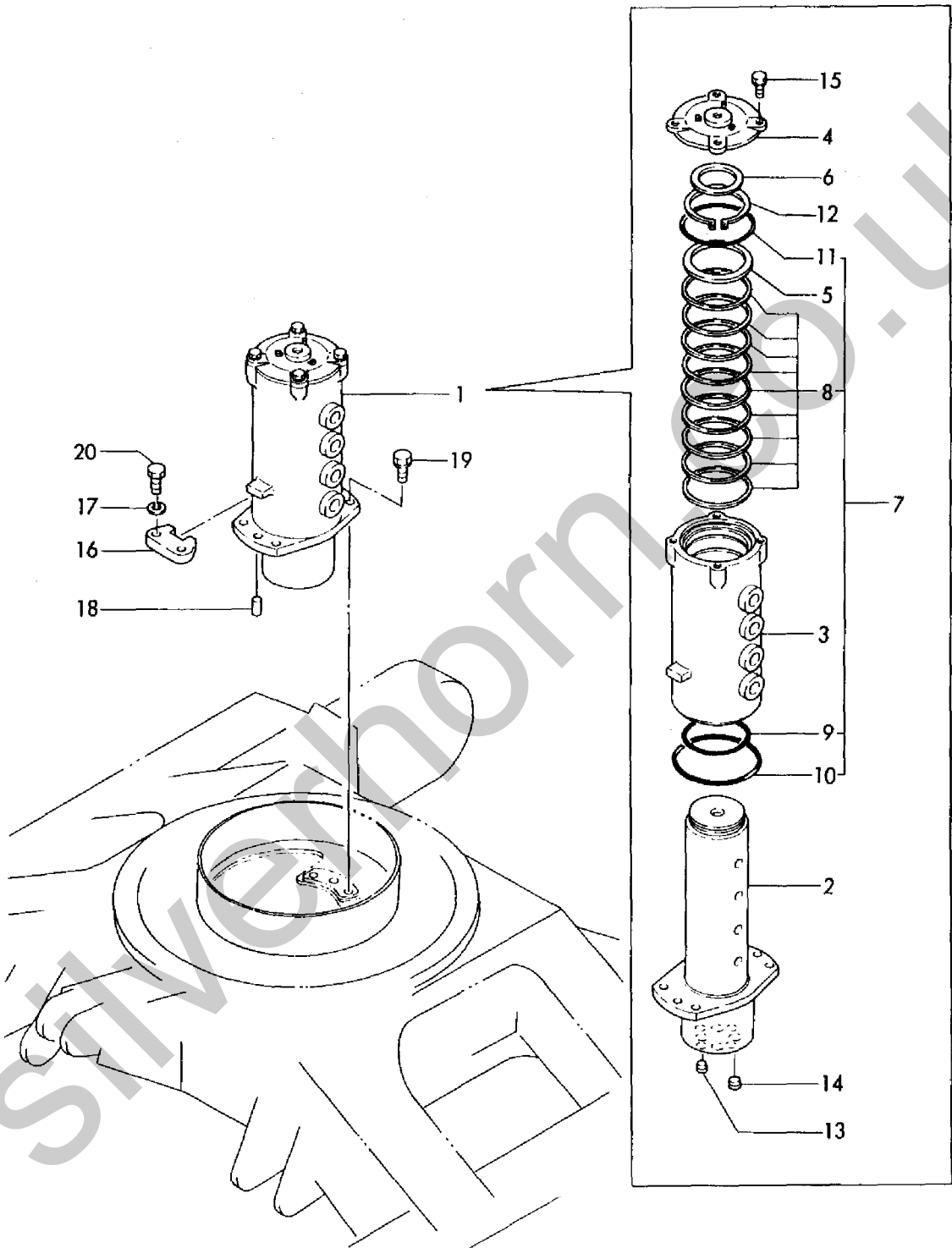


1,1,,172124-73800,, "JOINT ASSY, SWIVEL",1,1,,1,1,,,,,,,,,,,,,  
 2,2,,172124-73810,, "SHAFT, SWIVEL",1,1,,1,1,,,,,,,,,,,,,  
 3,2,,172124-73830,, "HUB, SWIVEL JOINT",1,1,,1,1,,,,,,,,,,,,,  
 4,2,,172123-73850,, "COVER, SWIVEL END",1,1,,1,1,,,,,,,,,,,,,  
 5,2,,172122-73860,, "SPACER, SWIVEL",1,1,,1,1,,,,,,,,,,,,,  
 6,2,,172122-73870,, "THRUST WASHER",1,1,,1,1,,,,,,,,,,,,,  
 7,2,,172123-73880,, "SEAL SET",1,1,,1,1,,,,,,,,,,,,,  
 8,3,,172122-73890,, "SEAL, SWIVEL",9,9,,9,9,,,,,,,,,,,,,  
 9,3,,24311-000800,, "O-RING 1A P-80.0",1,1,,1,1,,,,,,,,,,,,,  
 10,3,,24311-001000,, "O-RING 1A P-100.0",1,1,,1,1,,,,,,,,,,,,,  
 11,3,,24321-000950,, "O-RING 1A G-95.0",1,1,,1,1,,,,,,,,,,,,,  
 12,2,,22242-000700,, "CIRCLIP 70",1,1,,1,1,,,,,,,,,,,,,  
 13,2,,23871-020000,, "PLUG PT1/4,SCREW",4,4,,4,4,,,,,,,,,,,,,  
 14,2,,23871-030000,, "PLUG PT3/8,SCREW",4,4,,4,4,,,,,,,,,,,,,  
 15,2,,26013-100252,, "BOLT W/WASHER M10X25",4,4,,4,4,,,,,,,,,,,,,  
 16,1,,172122-73910,, "CIRCLIP, SWIVEL",1,1,,1,1,,,,,,,,,,,,,  
 17,1,,22217-140000,, "SPRING WASHER 14",2,2,,2,2,,,,,,,,,,,,,  
 18,1,,22312-080220,, "PARALLEL PIN 8X22",2,2,,2,2,,,,,,,,,,,,,  
 19,1,,26013-120252,, "BOLT M12X 25",4,4,,4,4,,,,,,,,,,,,,  
 20,1,,26116-140402,, "BOLT M14X 40 PLATED",2,2,,2,2,,,,,,,,,,,,,

Silverhorn.CO.UK

Fig. **73** スイベルジョイント  
SWIVEL JOINT

SPEC. CODE  
D72124-73800

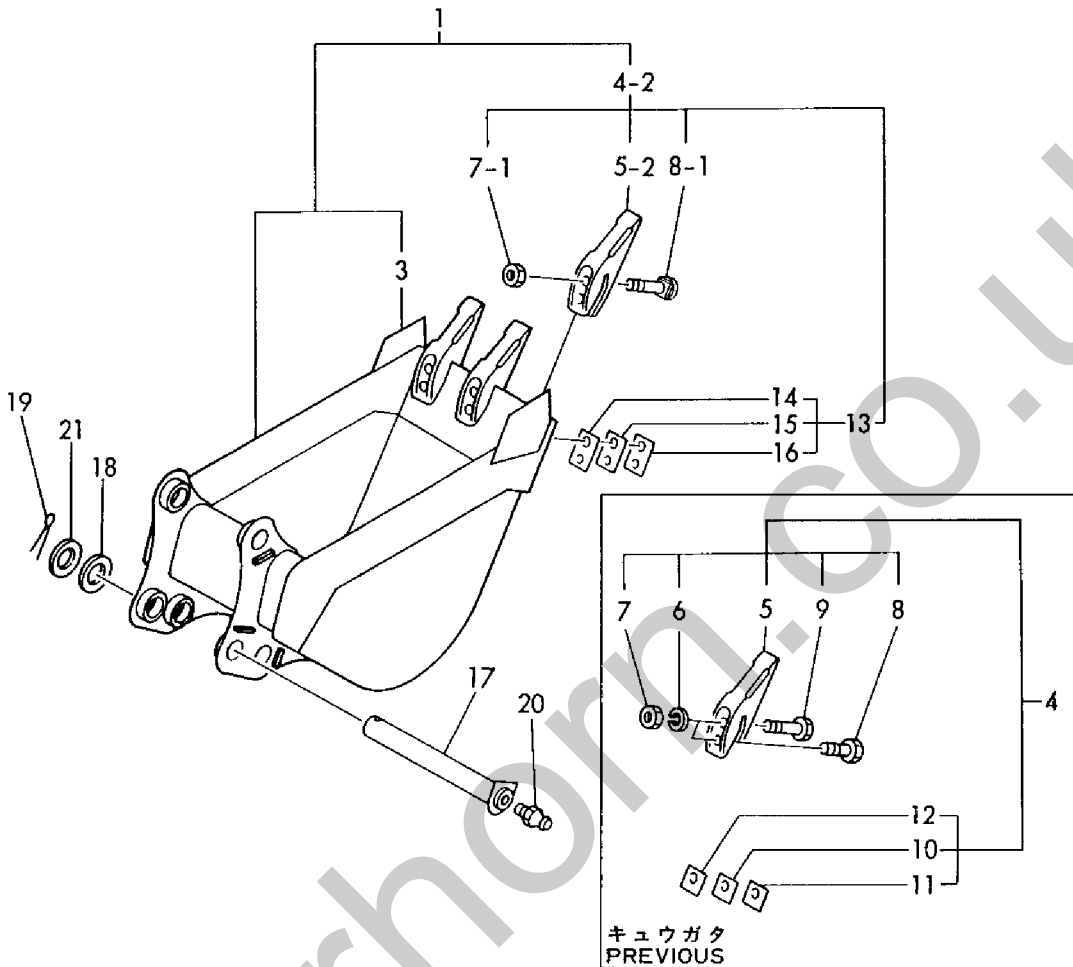


1,1,,772124-81750,, "BUCKET 400 ASSY",,,1,,1,,,,,,,,,,,,,  
 1-1,1,,772124-81751,, "BUCKET ASSY (400)",,,1,,1,S,,,,,,,,, \*1989.03,,,,,, \*1989.03  
 3,3,,172112-91180,, "SIDE CUTTER, BUCKET",,,2,,2,,,,,,,,,,,,,  
 4,2,,772112-91300,, "TEETH ASSY",,,3,,3,,,,,,,,,,,,,  
 4-1,2,,772112-91302,, "TEETH ASSY",,,3,,3,R,,,,,,,,, \*1988.07,,,,,, \*1988.07  
 4-2,2,,772112-91303,, "TEETH ASSY",,,3,,3,S,2,,,,,,,,, \*1989.03,,,,,, \*1989.03  
 5,3,,172112-91301,, "TEETH",,,3,,3,,,,,,,,,,,,,  
 5-1,3,,172112-91302,, "TEETH",,,3,,3,R,,,,,,,,, \*1988.07,,,,,, \*1988.07  
 5-2,3,,172112-91303,, "TEETH",,,3,,3,S,,,,,,,,, \*1989.03,,,,,, \*1989.03  
 6,3,,22217-160000,, "SPRING WASHER 16",,,6,,6,Z,,,,,,,,, \*1989.03,,,,,, \*1989.03  
 7,3,,26716-160002,, "NUT M16",,,6,,6,,,,,,,,,,,,,  
 7-1,3,,172137-86780,, "NUT",,,6,,6,S,,,,,,,,, \*1989.03,,,,,, \*1989.03  
 8,3,,933110-82500,, "BOLT M16X45X18",,,3,,3,,,,,,,,,,,,,  
 8-1,3,,172151-81400,, "BOLT",,,6,,6,S,,,,,,,,, \*1989.03,,,,,, \*1989.03  
 9,3,,933110-82600,, "BOLT M16X55X18",,,3,,3,Z,,,,,,,,, \*1989.03,,,,,, \*1989.03  
 10,3,,172112-91310,, "SHIM T=0.5, TEETH",,,3,,3,Z,1,,,,,,,,, \*1989.03,,,,,, \*1989.03  
 11,3,,172112-91320,, "SHIM T=1.0, TEETH",,,3,,3,Z,1,,,,,,,,, \*1989.03,,,,,, \*1989.03  
 12,3,,172112-91340,, "SHIM T=0.3, TEETH",,,3,,3,Z,1,,,,,,,,, \*1989.03,,,,,, \*1989.03  
 13,3,,172151-81410,, "SHIM SET, TEETH",,,3,,3,W,,,,,,,,, \*1989.03,,,,,, \*1989.03  
 14,4,,172151-81420,, "SHIM 0.3,TEETH",,,3,,3,W,1,,,,,,,,, \*1989.03,,,,,, \*1989.03  
 15,4,,172151-81430,, "SHIM 0.5,TEETH",,,3,,3,W,1,,,,,,,,, \*1989.03,,,,,, \*1989.03  
 16,4,,172151-81440,, "SHIM 1.0,TEETH",,,3,,3,W,1,,,,,,,,, \*1989.03,,,,,, \*1989.03  
 17,1,,172112-87101,, "PIN ASSY, BUCKET",,,2,,2,,,,,,,,,,,,,  
 18,1,,172112-87840,, "SHIM 45X1",,,2,,2,,,,,,,,,,,,,  
 18-1,1,,172124-81930,, "SHIM 45X0.8",,,2,,2,N,,,,,,,,, \*1988.04,,,,,, \*1988.04  
 19,1,,22417-800630,, "COTTER PIN 8.0X63",,,2,,2,,,,,,,,,,,,,  
 20,1,,24761-020000,, "NIPPLE PT1/8,GREASE",,,2,,2,,,,,,,,,,,,,  
 21,1,,172124-81940,, "SHIM 45X1.2",,,2,,2,W,,,,,,,,, \*1988.04,,,,,, \*1988.04



Fig. **74** バケット400(アタッチメント)  
BUCKET400(ATTACHMENT)

SPEC. CODE  
D72124-81410



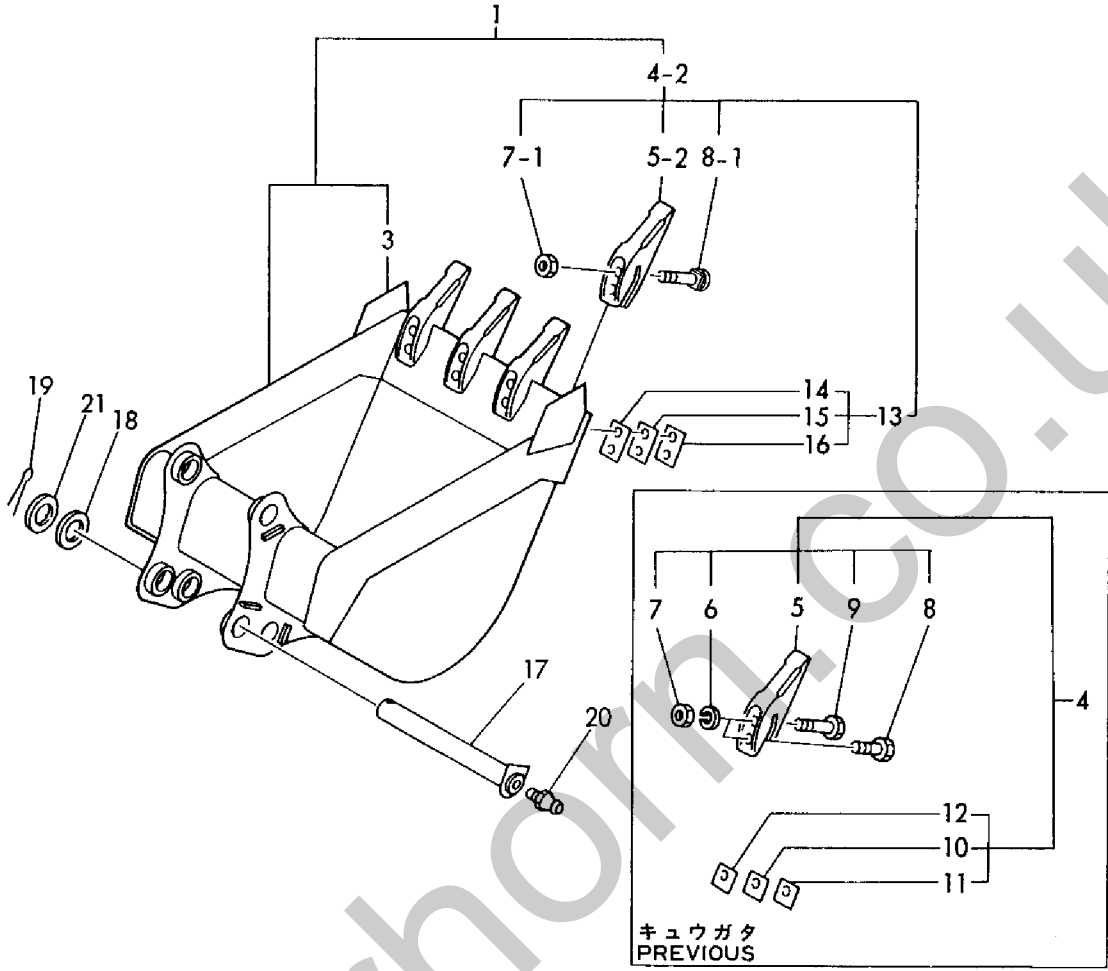
1,1,,772124-81840,, "BUCKET 550 ASSY",,,1,,1,,,,,,,,,,,,,  
 1-1,1,,772124-81841,, "BUCKET 550 ASSY",,,1,,1,S,,,,,,,,, \*1989.03,,,,,, \*1989.03  
 3,3,,172112-91180,, "SIDE CUTTER, BUCKET",,,2,,2,,,,,,,,,,,,,  
 4,2,,772112-91300,, "TEETH ASSY",,,4,,4,,,,,,,,,,,,,  
 4-1,2,,772112-91302,, "TEETH ASSY",,,4,,4,R,,,,,,,,, \*1988.07,,,,,, \*1988.07  
 4-2,2,,772112-91303,, "TEETH ASSY",,,4,,4,S,2,,,,,,,,, \*1989.03,,,,,, \*1989.03  
 5,3,,172112-91301,, "TEETH",,,4,,4,,,,,,,,,,,,,  
 5-1,3,,172112-91302,, "TEETH",,,4,,4,R,,,,,,,,, \*1988.07,,,,,, \*1988.07  
 5-2,3,,172112-91303,, "TEETH",,,4,,4,S,,,,,,,,, \*1989.03,,,,,, \*1989.03  
 6,3,,22217-160000,, "SPRING WASHER 16",,,8,,8,Z,,,,,,,,, \*1989.03,,,,,, \*1989.03  
 7,3,,26716-160002,, "NUT M16",,,8,,8,,,,,,,,,,,,,  
 7-1,3,,172137-86780,, "NUT",,,8,,8,S,,,,,,,,, \*1989.03,,,,,, \*1989.03  
 8,3,,933110-82500,, "BOLT M16X45X18",,,4,,4,,,,,,,,,,,,,  
 8-1,3,,172151-81400,, "BOLT",,,8,,8,S,,,,,,,,, \*1989.03,,,,,, \*1989.03  
 9,3,,933110-82600,, "BOLT M16X55X18",,,4,,4,Z,,,,,,,,, \*1989.03,,,,,, \*1989.03  
 10,3,,172112-91310,, "SHIM T=0.5, TEETH",,,4,,4,Z,1,,,,,,,,, \*1989.03,,,,,, \*1989.03  
 11,3,,172112-91320,, "SHIM T=1.0, TEETH",,,4,,4,Z,1,,,,,,,,, \*1989.03,,,,,, \*1989.03  
 12,3,,172112-91340,, "SHIM T=0.3, TEETH",,,4,,4,Z,1,,,,,,,,, \*1989.03,,,,,, \*1989.03  
 13,3,,172151-81410,, "SHIM SET, TEETH",,,4,,4,W,,,,,,,,, \*1989.03,,,,,, \*1989.03  
 14,4,,172151-81420,, "SHIM 0.3,TEETH",,,4,,4,W,1,,,,,,,,, \*1989.03,,,,,, \*1989.03  
 15,4,,172151-81430,, "SHIM 0.5,TEETH",,,4,,4,W,1,,,,,,,,, \*1989.03,,,,,, \*1989.03  
 16,4,,172151-81440,, "SHIM 1.0,TEETH",,,4,,4,W,1,,,,,,,,, \*1989.03,,,,,, \*1989.03  
 17,1,,172112-87101,, "PIN ASSY, BUCKET",,,2,,2,,,,,,,,,,,,,  
 18,1,,172112-87840,, "SHIM 45X1",,,2,,2,,,,,,,,,,,,,  
 18-1,1,,172124-81930,, "SHIM 45X0.8",,,2,,2,N,,,,,,,,, \*1988.04,,,,,, \*1988.04  
 19,1,,22417-800630,, "COTTER PIN 8.0X63",,,2,,2,,,,,,,,,,,,,  
 20,1,,24761-020000,, "NIPPLE PT1/8,GREASE",,,2,,2,,,,,,,,,,,,,  
 21,1,,172124-81940,, "SHIM 45X1.2",,,2,,2,W,,,,,,,,, \*1988.04,,,,,, \*1988.04





Fig. **75** バケット550(アタッチメント)  
BUCKET550(ATTACHMENT)

SPEC. CODE  
D72124-81420

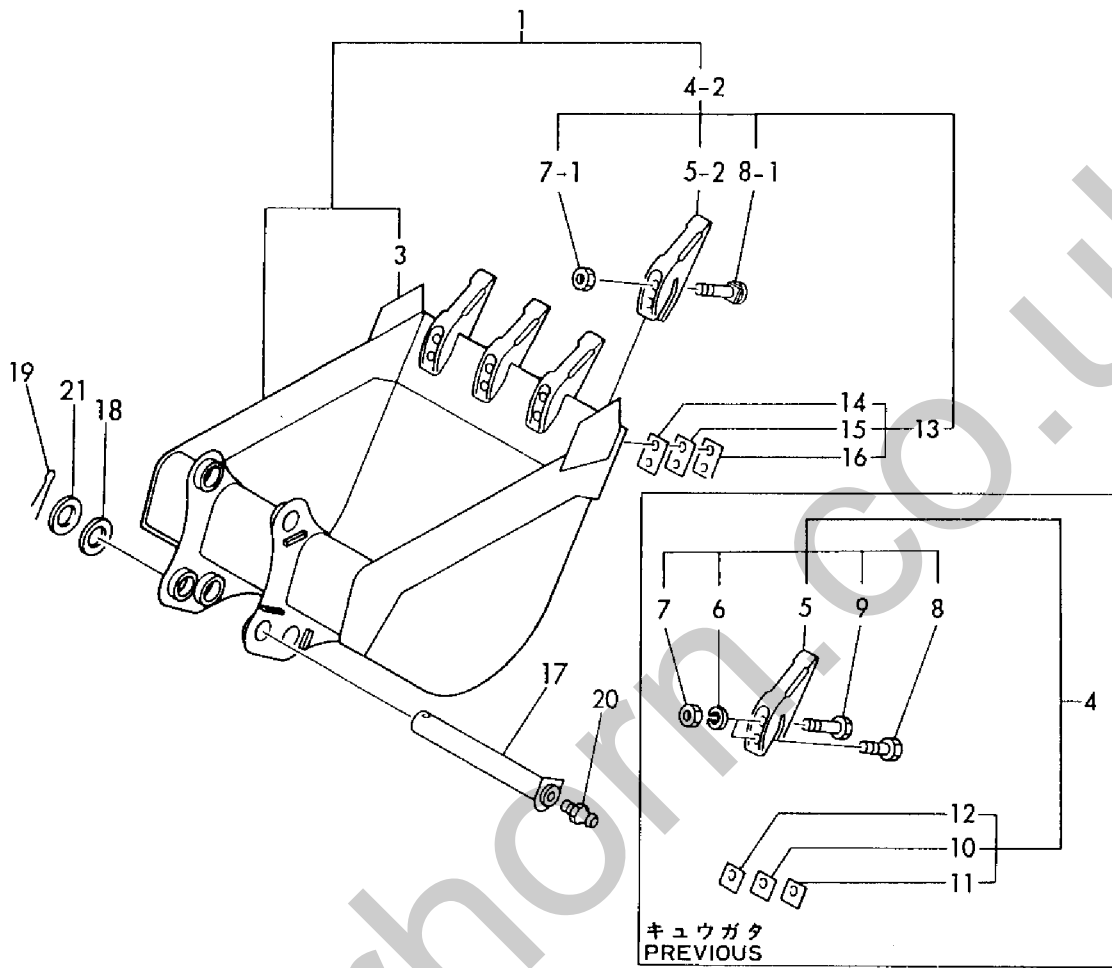


1,1,,772124-81870,, "BUCKET 600 ASSY",,,1,,1,,,,,,,,,,,,,  
 1-1,1,,772124-81871,, "BUCKET 600 ASSY",,,1,,1,S,,,,,,,,, \*1989.03,,,,, \*1989.03  
 3,3,,172112-91180,, "SIDE CUTTER, BUCKET",,,2,,2,,,,,,,,,,,,,  
 4,2,,772112-91300,, "TEETH ASSY",,,4,,4,,,,,,,,,,,,,  
 4-1,2,,772112-91302,, "TEETH ASSY",,,4,,4,R,,,,,,,,, \*1988.07,,,,, \*1988.07  
 4-2,2,,772112-91303,, "TEETH ASSY",,,4,,4,S,2,,,,,,,,, \*1989.03,,,,, \*1989.03  
 5,3,,172112-91301,, "TEETH",,,4,,4,,,,,,,,,,,,,  
 5-1,3,,172112-91302,, "TEETH",,,4,,4,R,,,,,,,,, \*1988.07,,,,, \*1988.07  
 5-2,3,,172112-91303,, "TEETH",,,4,,4,S,,,,,,,,, \*1989.03,,,,, \*1989.03  
 6,3,,22217-160000,, "SPRING WASHER 16",,,8,,8,Z,,,,,,,,, \*1989.03,,,,, \*1989.03  
 7,3,,26716-160002,, "NUT M16",,,8,,8,,,,,,,,,,,,,  
 7-1,3,,172137-86780,, "NUT",,,8,,8,S,,,,,,,,, \*1989.03,,,,, \*1989.03  
 8,3,,933110-82500,, "BOLT M16X45X18",,,4,,4,,,,,,,,,,,,,  
 8-1,3,,172151-81400,, "BOLT",,,8,,8,S,,,,,,,,, \*1989.03,,,,, \*1989.03  
 9,3,,933110-82600,, "BOLT M16X55X18",,,4,,4,Z,,,,,,,,, \*1989.03,,,,, \*1989.03  
 10,3,,172112-91310,, "SHIM T=0.5, TEETH",,,4,,4,Z,1,,,,,,,,, \*1989.03,,,,, \*1989.03  
 11,3,,172112-91320,, "SHIM T=1.0, TEETH",,,4,,4,Z,1,,,,,,,,, \*1989.03,,,,, \*1989.03  
 12,3,,172112-91340,, "SHIM T=0.3, TEETH",,,4,,4,Z,1,,,,,,,,, \*1989.03,,,,, \*1989.03  
 13,3,,172151-81410,, "SHIM SET, TEETH",,,4,,4,W,,,,,,,,, \*1989.03,,,,, \*1989.03  
 14,4,,172151-81420,, "SHIM 0.3,TEETH",,,4,,4,W,1,,,,,,,,, \*1989.03,,,,, \*1989.03  
 15,4,,172151-81430,, "SHIM 0.5,TEETH",,,4,,4,W,1,,,,,,,,, \*1989.03,,,,, \*1989.03  
 16,4,,172151-81440,, "SHIM 1.0,TEETH",,,4,,4,W,1,,,,,,,,, \*1989.03,,,,, \*1989.03  
 17,1,,172112-87101,, "PIN ASSY, BUCKET",,,2,,2,,,,,,,,,,,,,  
 18,1,,172112-87840,, "SHIM 45X1",,,2,,2,,,,,,,,,,,,,  
 18-1,1,,172124-81930,, "SHIM 45X0.8",,,2,,2,N,,,,,,,,, \*1988.04,,,,, \*1988.04  
 19,1,,22417-800630,, "COTTER PIN 8.0X63",,,2,,2,,,,,,,,,,,,,  
 20,1,,24761-020000,, "NIPPLE PT1/8,GREASE",,,2,,2,,,,,,,,,,,,,  
 21,1,,172124-81940,, "SHIM 45X1.2",,,2,,2,W,,,,,,,,, \*1988.04,,,,, \*1988.04



Fig. **76** バケット600(アタッチメント)  
BUCKET600(ATTACHMENT)

SPEC. CODE  
D72124-81430

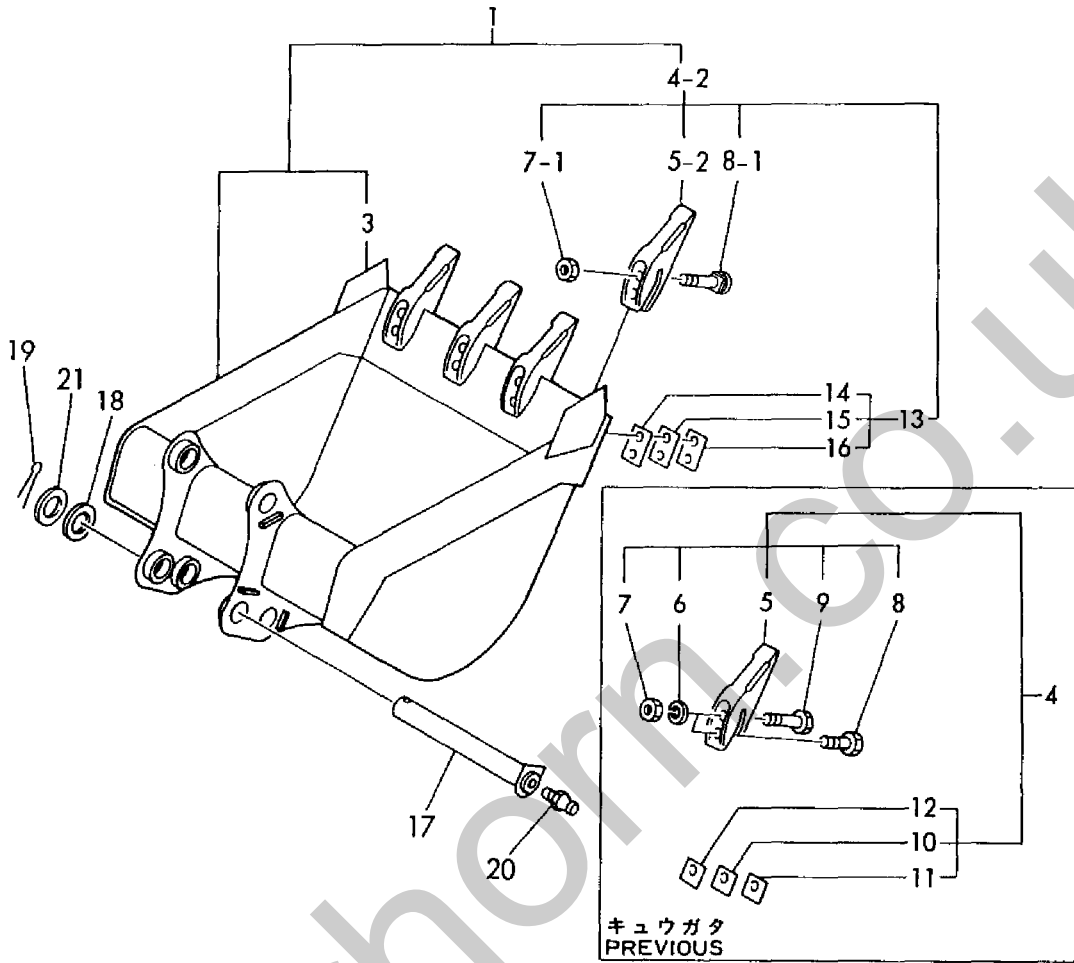


1,1,,772124-81880,, "BUCKET 650 ASSY",,,1,,1,,,,,,,,,,,,,  
 1-1,1,,772124-81881,, "BUCKET 650 ASSY",,,1,,1,S,,,,,,,,, \*1989.03,,,,,, \*1989.03  
 3,3,,172112-91180,, "SIDE CUTTER, BUCKET",,,2,,2,,,,,,,,,,,,,  
 4,2,,772112-91300,, "TEETH ASSY",,,4,,4,,,,,,,,,,,,,  
 4-1,2,,772112-91302,, "TEETH ASSY",,,4,,4,R,,,,,,,,, \*1988.07,,,,,, \*1988.07  
 4-2,2,,772112-91303,, "TEETH ASSY",,,4,,4,S,2,,,,,,,,, \*1989.03,,,,,, \*1989.03  
 5,3,,172112-91301,, TEETH,,4,,4,,,,,,,,,,,,,  
 5-1,3,,172112-91302,, TEETH,,4,,4,R,,,,,,,,, \*1988.07,,,,,, \*1988.07  
 5-2,3,,172112-91303,, TEETH,,4,,4,S,,,,,,,,, \*1989.03,,,,,, \*1989.03  
 6,3,,22217-160000,, "SPRING WASHER 16",,,8,,8,Z,,,,,,,,, \*1989.03,,,,,, \*1989.03  
 7,3,,26716-160002,, "NUT M16",,,8,,8,,,,,,,,,,,,,  
 7-1,3,,172137-86780,, NUT,,8,,8,S,,,,,,,,, \*1989.03,,,,,, \*1989.03  
 8,3,,933110-82500,, "BOLT M16X45X18",,,4,,4,,,,,,,,,,,,,  
 8-1,3,,172151-81400,, BOLT,,8,,8,S,,,,,,,,, \*1989.03,,,,,, \*1989.03  
 9,3,,933110-82600,, "BOLT M16X55X18",,,4,,4,Z,,,,,,,,, \*1989.03,,,,,, \*1989.03  
 10,3,,172112-91310,, "SHIM T=0.5, TEETH",,,4,,4,Z,1,,,,,,,,, \*1989.03,,,,,, \*1989.03  
 11,3,,172112-91320,, "SHIM T=1.0, TEETH",,,4,,4,Z,1,,,,,,,,, \*1989.03,,,,,, \*1989.03  
 12,3,,172112-91340,, "SHIM T=0.3, TEETH",,,4,,4,Z,1,,,,,,,,, \*1989.03,,,,,, \*1989.03  
 13,3,,172151-81410,, "SHIM SET, TEETH",,,4,,4,W,,,,,,,,, \*1989.03,,,,,, \*1989.03  
 14,4,,172151-81420,, "SHIM 0.3,TEETH",,,4,,4,W,1,,,,,,,,, \*1989.03,,,,,, \*1989.03  
 15,4,,172151-81430,, "SHIM 0.5,TEETH",,,4,,4,W,1,,,,,,,,, \*1989.03,,,,,, \*1989.03  
 16,4,,172151-81440,, "SHIM 1.0,TEETH",,,4,,4,W,1,,,,,,,,, \*1989.03,,,,,, \*1989.03  
 17,1,,172112-87101,, "PIN ASSY, BUCKET",,,2,,2,,,,,,,,,,,,,  
 18,1,,172112-87840,, "SHIM 45X1",,,2,,2,,,,,,,,,,,,,  
 18-1,1,,172124-81930,, "SHIM 45X0.8",,,2,,2,N,,,,,,,,, \*1988.04,,,,,, \*1988.04  
 19,1,,22417-800630,, "COTTER PIN 8.0X63",,,2,,2,,,,,,,,,,,,,  
 20,1,,24761-020000,, "NIPPLE PT1/8,GREASE",,,2,,2,,,,,,,,,,,,,  
 21,1,,172124-81940,, "SHIM 45X1.2",,,2,,2,W,,,,,,,,, \*1988.04,,,,,, \*1988.04



Fig. **77** バケット650(アタッチメント)  
 BUCKET 650(ATTACHMENT)

SPEC. CODE  
 D72124-81450



1,1,,772124-81900,, "BUCKET 700 ASSY",,,1,,1,,,,,,,,,,,,,  
 1-1,1,,772124-81901,, "BUCKET 700 ASSY",,,1,,1,S,,,,,,,,, \*1989.03,,,,, \*1989.03  
 3,3,,172112-91180,, "SIDE CUTTER, BUCKET",,,2,,2,,,,,,,,,,,,,  
 4,2,,772112-91300,, "TEETH ASSY",,,5,,5,,,,,,,,,,,,,  
 4-1,2,,772112-91302,, "TEETH ASSY",,,5,,5,R,,,,,,,,, \*1988.07,,,,, \*1988.07  
 4-2,2,,772112-91303,, "TEETH ASSY",,,5,,5,S,2,,,,,,,,, \*1989.03,,,,, \*1989.03  
 5,3,,172112-91301,, TEETH,,5,,5,,,,,,,,,,,,,  
 5-1,3,,172112-91302,, TEETH,,5,,5,R,,,,,,,,, \*1988.07,,,,, \*1988.07  
 5-2,3,,172112-91303,, TEETH,,5,,5,S,,,,,,,,, \*1989.03,,,,, \*1989.03  
 6,3,,22217-160000,, "SPRING WASHER 16",,,10,,10,Z,,,,,,,,, \*1989.03,,,,, \*1989.03  
 7,3,,26716-160002,, "NUT M16",,,10,,10,,,,,,,,,,,,,  
 7-1,3,,172137-86780,, NUT,,10,,10,S,,,,,,,,, \*1989.03,,,,, \*1989.03  
 8,3,,933110-82500,, "BOLT M16X45X18",,,5,,5,,,,,,,,,,,,,  
 8-1,3,,172151-81400,, BOLT,,10,,10,S,,,,,,,,, \*1989.03,,,,, \*1989.03  
 9,3,,933110-82600,, "BOLT M16X55X18",,,5,,5,Z,,,,,,,,, \*1989.03,,,,, \*1989.03  
 10,3,,172112-91310,, "SHIM T=0.5, TEETH",,,5,,5,Z,1,,,,,,,,, \*1989.03,,,,, \*1989.03  
 11,3,,172112-91320,, "SHIM T=1.0, TEETH",,,5,,5,Z,1,,,,,,,,, \*1989.03,,,,, \*1989.03  
 12,3,,172112-91340,, "SHIM T=0.3, TEETH",,,5,,5,Z,1,,,,,,,,, \*1989.03,,,,, \*1989.03  
 13,3,,172151-81410,, "SHIM SET, TEETH",,,5,,5,W,,,,,,,,, \*1989.03,,,,, \*1989.03  
 14,4,,172151-81420,, "SHIM 0.3,TEETH",,,5,,5,W,1,,,,,,,,, \*1989.03,,,,, \*1989.03  
 15,4,,172151-81430,, "SHIM 0.5,TEETH",,,5,,5,W,1,,,,,,,,, \*1989.03,,,,, \*1989.03  
 16,4,,172151-81440,, "SHIM 1.0,TEETH",,,5,,5,W,1,,,,,,,,, \*1989.03,,,,, \*1989.03  
 17,1,,172112-87101,, "PIN ASSY, BUCKET",,,2,,2,,,,,,,,,,,,,  
 18,1,,172112-87840,, "SHIM 45X1",,,2,,2,,,,,,,,,,,,,  
 18-1,1,,172124-81930,, "SHIM 45X0.8",,,2,,2,N,,,,,,,,, \*1988.04,,,,, \*1988.04  
 19,1,,22417-800630,, "COTTER PIN 8.0X63",,,2,,2,,,,,,,,,,,,,  
 20,1,,24761-020000,, "NIPPLE PT1/8,GREASE",,,2,,2,,,,,,,,,,,,,  
 21,1,,172124-81940,, "SHIM 45X1.2",,,2,,2,W,,,,,,,,, \*1988.04,,,,, \*1988.04



Fig. **78** バケット700(アタッチメント)  
BUCKET700(ATTACHMENT)

SPEC. CODE  
D72124-81440

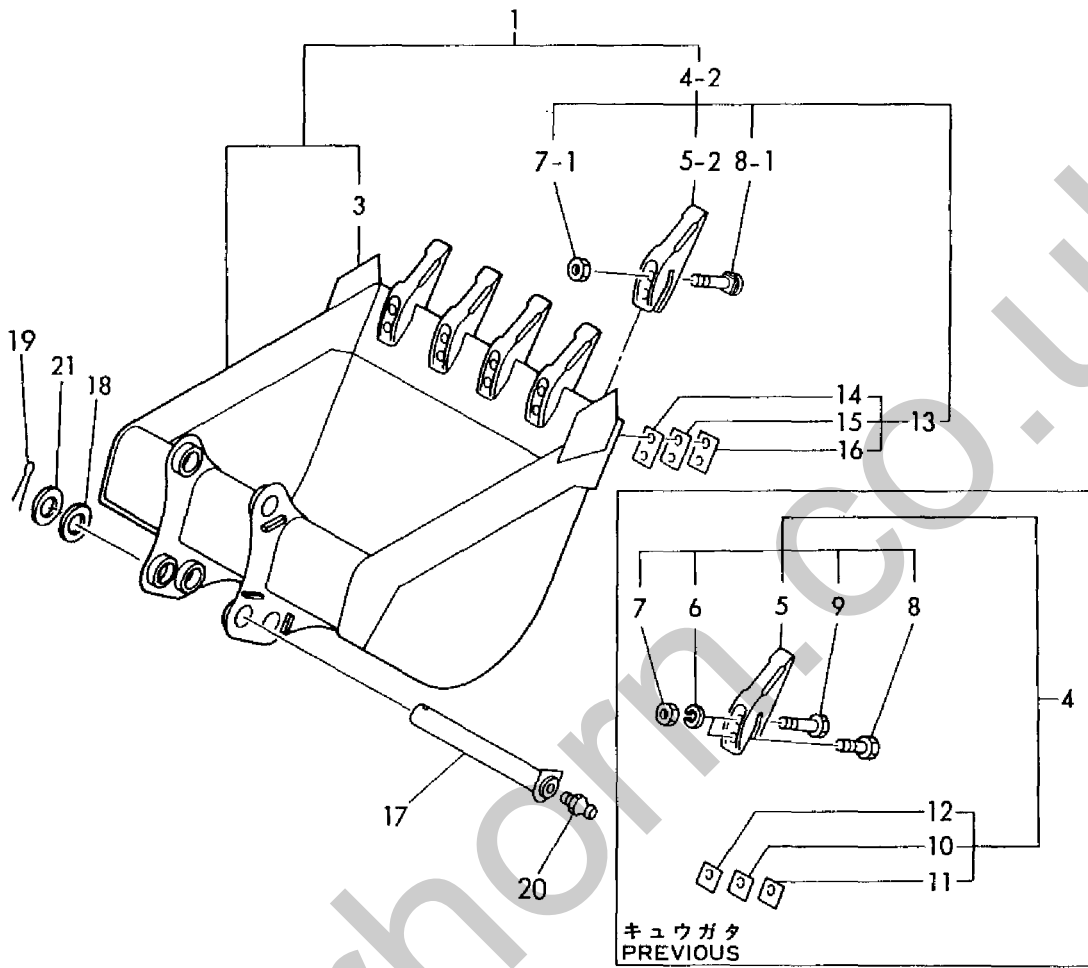
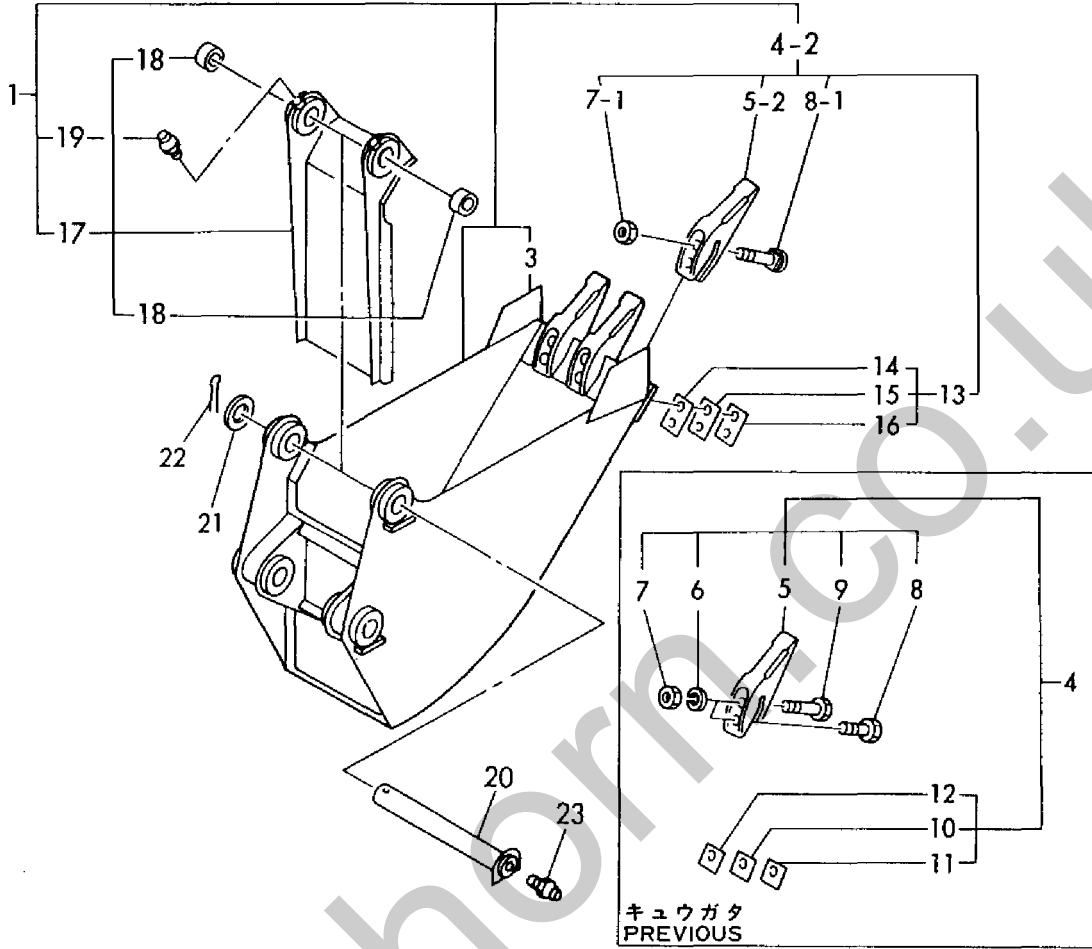






Fig. 79 バケット330(アタッチメント)  
BUCKET330(ATTACHMENT)

SPEC. CODE  
D72124-81500

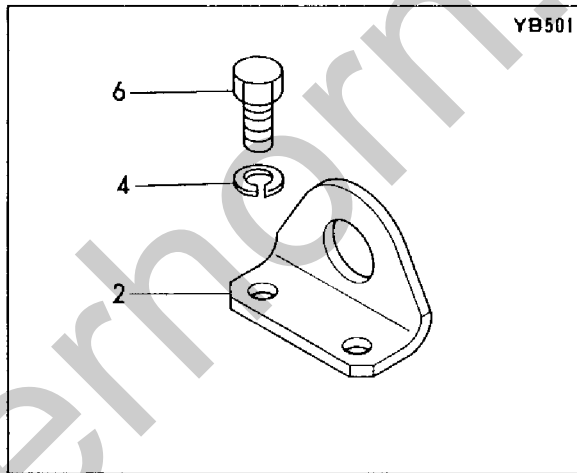
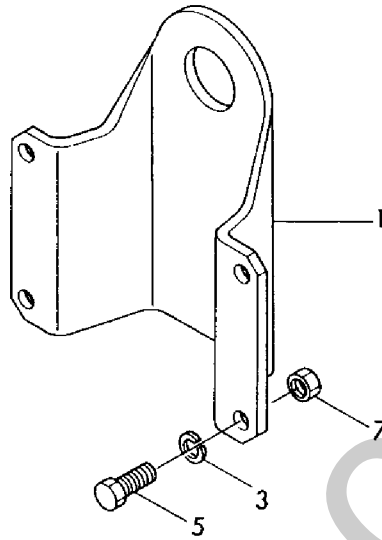


1,1,,172124-05700,,HOOK,,,2,,,,,,,,,,,,,,,,,  
2,1,,172125-05700,,HOOK,,,,,2,2,1,,,,,,,,,  
3,1,,22217-140000,, "SPRING WASHER 14" ,,,8,,,,,,,,,  
4,1,,22217-200000,, "SPRING WASHER 20" ,,,,,4,4,1,,,,,,,,,  
5,1,,26116-140352,, "BOLT M14X 35 PLATED" ,,,8,,,,,,,,,  
6,1,,172125-53330,, "BOLT M20X50" ,,,,,4,4,1,,,,,,,,,  
7,1,,26716-140002,, "NUT M14" ,,,8,,,,,,,,,,,,,,,,

Silverhorn.CO.UK

Fig. **80** フック (オプション)  
HOOK (OPTIONAL)

SPEC. CODE  
D72124-05700  
D72125-05700

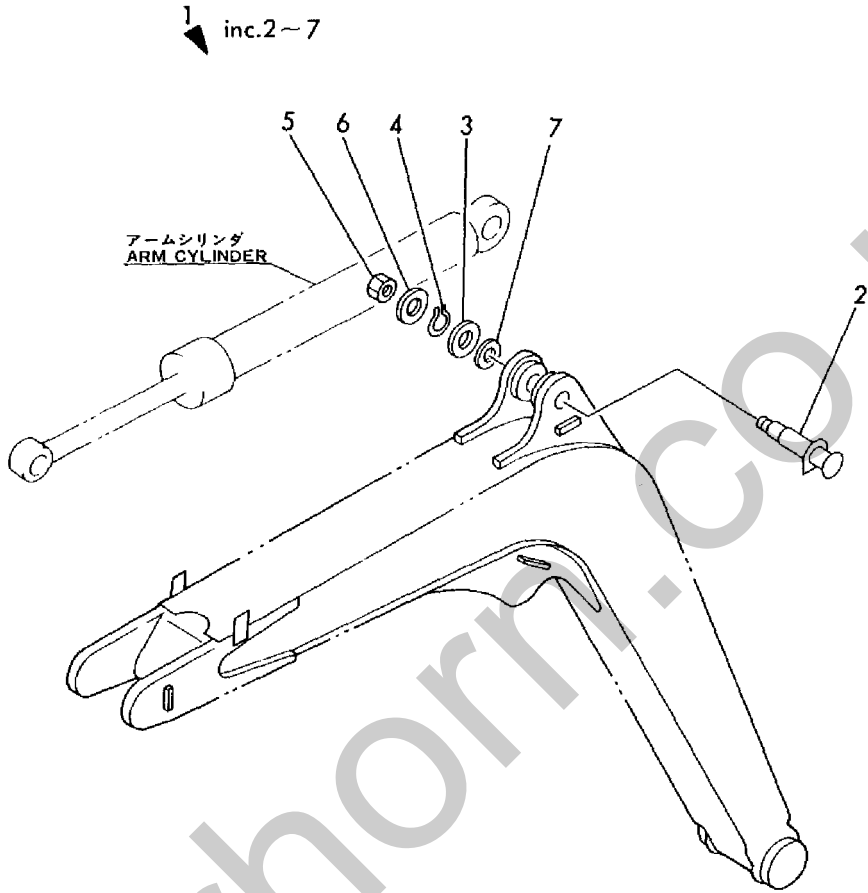


1,1,,772124-05710,, "PIN ASSY, LIFT",,,1,,1,,,,,,,,,,,,,  
2,2,,172124-81970,, "PIN 50-147, BOOM",,,1,,1,,,,,,,,,,,,,  
3,2,,172124-81990,, COLLAR,,1,,1,,,,,,,,,,,,,  
4,1,,22242-000500,, "CIRCLIP 50",,,1,,1,,,,,,,,,,,,,  
5,2,,933110-86600,, "NUT M24, NYLON",,,1,,1,,,,,,,,,,,,,  
6,2,,933171-29760,, WASHER,,1,,1,,,,,,,,,,,,,  
7,2,,172112-87820,, "SHIM 50X1",,,1,,1,,,,,,,,,,,,,

Silverhorn.CO.UK

Fig. **81** リフトピン (オプション)  
LIFT PIN (OPTIONAL)

SPEC. CODE  
D72124-05710

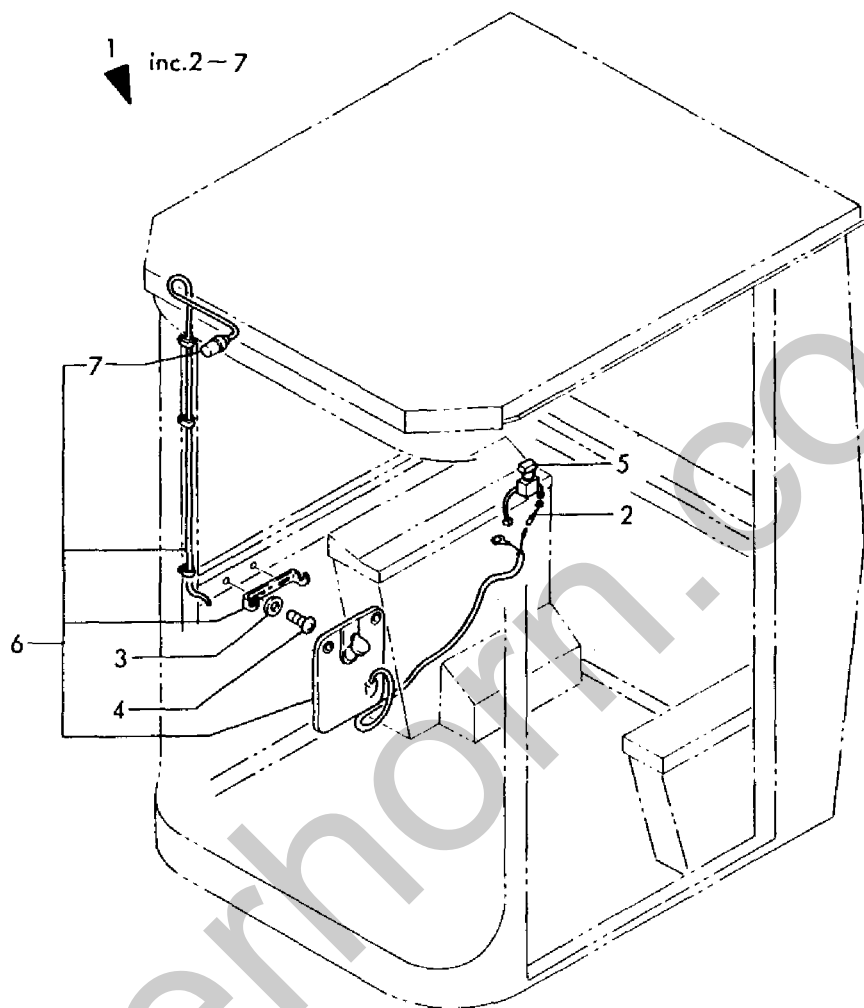


1,1,,772122-17140,, "WINDOW WASHER ASSY",,,1,,1,,,,,,,,,,,,,  
2,2,,172122-16630,, "LEAD WIRE",,,1,,1,,,,,,,,,,,,,  
3,2,,22137-050000,, "WASHER 5, POLISHED",,,2,,2,,,,,,,,,,,,,  
4,2,,22857-500120,, "SCREW 5X12",,,2,,2,,,,,,,,,,,,,  
5,2,,933113-03300,, "SWITCH, WIPER",,,1,,1,,,,,,,,,,,,,  
6,2,,933113-15600,, "WINDOW WASHER",,,1,,1,,,,,,,,,,,,,  
7,3,,933113-15800,, "NOZZLE, WASHER",,,1,,1,,,,,,,,,,,,,

Silverhorn.CO.UK

Fig. **82** ウィンドウウォッシャー(オプション)  
WIND WASHER(OPTIONAL)

SPEC. CODE  
D72122-17140



1,1,,172122-16520,, "HARNESS (D), WIRE",,,1,,1,,1,,,,,,,,,  
1-1,1,,172122-16521,, "HARNESS (D), WIRE",,,1,,1,S,1,,,,,,,,\*1985.09,,,,,,\*1985.09  
2,1,,172119-17130,,SWITCH,,1,,1,,2,,,,,,,,,  
3,1,,172119-17140,,SWITCH,,1,,1,,2,,,,,,,,,  
4,1,,26577-040142,, "SCREW M 4 X 14",,,4,,4,,2,,,,,,,,,  
5,1,,933113-10200,, "QUARTZ CLOCK",,,1,,1,,2,,,,,,,,,

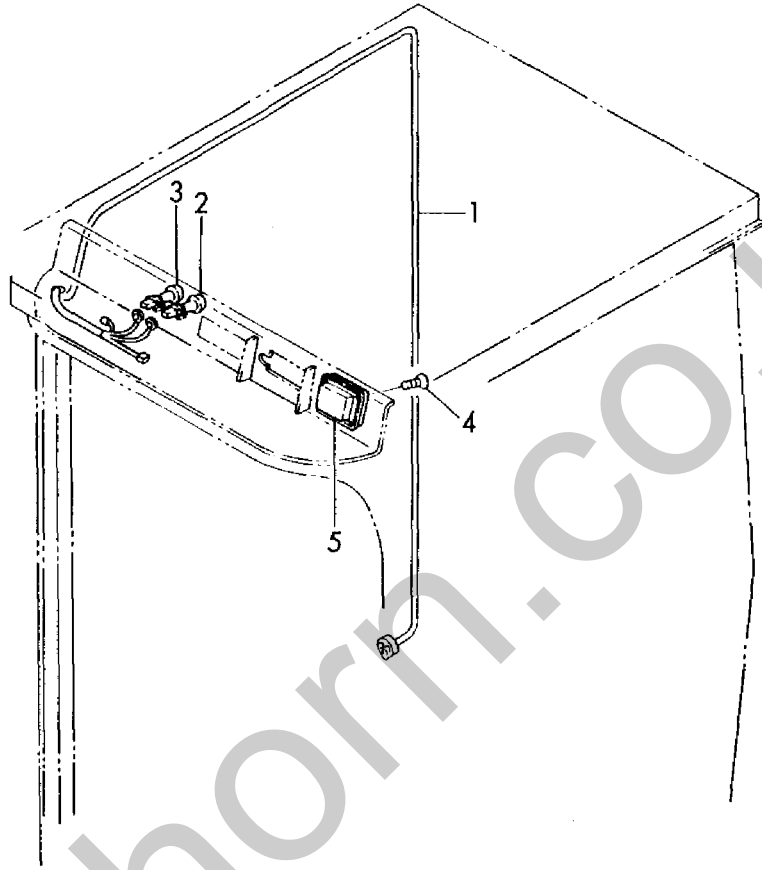
Silverhorn.CO.UK



Fig. **83**

スイッチ & クォーツクロック(オプション)  
SWITCH & QUARTZ CLOCK (OPTIONAL)

SPEC. CODE  
D72124-16520  
D72122-17150  
D72122-17160



Silverhorn.CO.UK

1,1,,772124-17600,, "HEATER ASSY" ,,,1,,1,,,,,,,,,,,,,  
 2,2,,172124-17600,, "HOSE ASSY,CORRUGAT" ,,,2,,2,,,,,,,,,,,,,  
 3,2,,172124-17630,, "VALVE, MINIATURE" ,,,1,,1,,,,,,,,,,,,,  
 4,2,,104511-49060,,CONNECTOR,,,,,2,,2,,,,,,,,,,,,,  
 4-1,2,,172124-17640,, "JOINT 3/8" ,,,2,,2,N,,,,,,\*1985.12,,,,,,\*1985.12  
 5,2,,22137-100000,, "WASHER 10,POLISHED" ,,,3,,3,,,,,,,,,,,,,  
 6,2,,23000-022000,, "CLAMP 22" ,,,4,,4,,,,,,,,,,,,,  
 7,2,,26013-100202,, "BOLT W/WASHER M10X20" ,,,3,,3,,,,,,,,,,,,,  
 8,2,,29321-405120,, "GROMMET 40X5.0" ,,,1,,1,,,,,,,,,,,,,  
 9,2,,933113-03200,, "SWITCH, HEATER" ,,,1,,1,,,,,,,,,,,,,  
 10,2,,933113-15700,, "HEATER ASSY" ,,,1,,1,,,,,,,,,,,,,  
 11,2,,933152-09280,, "BAND 170" ,,,3,,3,,,,,,,,,,,,,  
 12A,1,,772124-17700,, "DEFROSTER ASSY" ,,,1,,1,1,,,,,,,,,,,,,  
 12B,1,,772124-17710,, "DEFROSTER ASSY" ,,,1,,1,2,,,,,,,,,,,,,  
 13,2,,172122-16590,, "BAND 200F" ,,,2,,2,,,,,,,,,,,,,  
 14A,2,,172122-17700,, "STAY, NOZZLE" ,,,2,,2,1,,,,,,,,,,,,,  
 14A-1,2,,172122-17701,, "STAY, NOZZLE" ,,,2,,2,N,1,,,,,,\*1988.02,,,,,,\*1988.02  
 14B,2,,172122-17700,, "STAY, NOZZLE" ,,,1,,1,2,,,,,,,,,,,,,  
 14B-1,2,,172122-17701,, "STAY, NOZZLE" ,,,1,,1,N,2,,,,,,\*1988.02,,,,,,\*1988.02  
 15,2,,172124-17700,, "HOSE(L), DEFROSTER" ,,,1,,1,,,,,,,,,,,,,  
 16,2,,172120-17710,, "NOZZLE, DEFROSTER" ,,,2,,2,,,,,,,,,,,,,  
 17,2,,172124-17740,, "HOSE(R), DEFROSTER" ,,,1,,1,,,,,,,,,,,,,  
 18,2,,22137-040000,, "WASHER 4, POLISHED" ,,,2,,2,Z,,,,,,\*,,,,,\*  
 19,2,,22137-100000,, "WASHER 10,POLISHED" ,,,4,,4,,,,,,,,,,,,,  
 20,2,,22857-400120,, "SCREW 4X12" ,,,2,,2,,,,,,,,,,,,,  
 21,2,,26013-100252,, "BOLT W/WASHER M10X25" ,,,4,,4,,,,,,,,,,,,,  
 22,2,,172122-17740,, "STAY (L), NOZZLE" ,,,1,,1,2,,,,,,,,,,,,,  
 23,1,,172122-17200,, "PANEL, INSTRUMENT" ,,,1,,1,,,,,,,,,,,,,



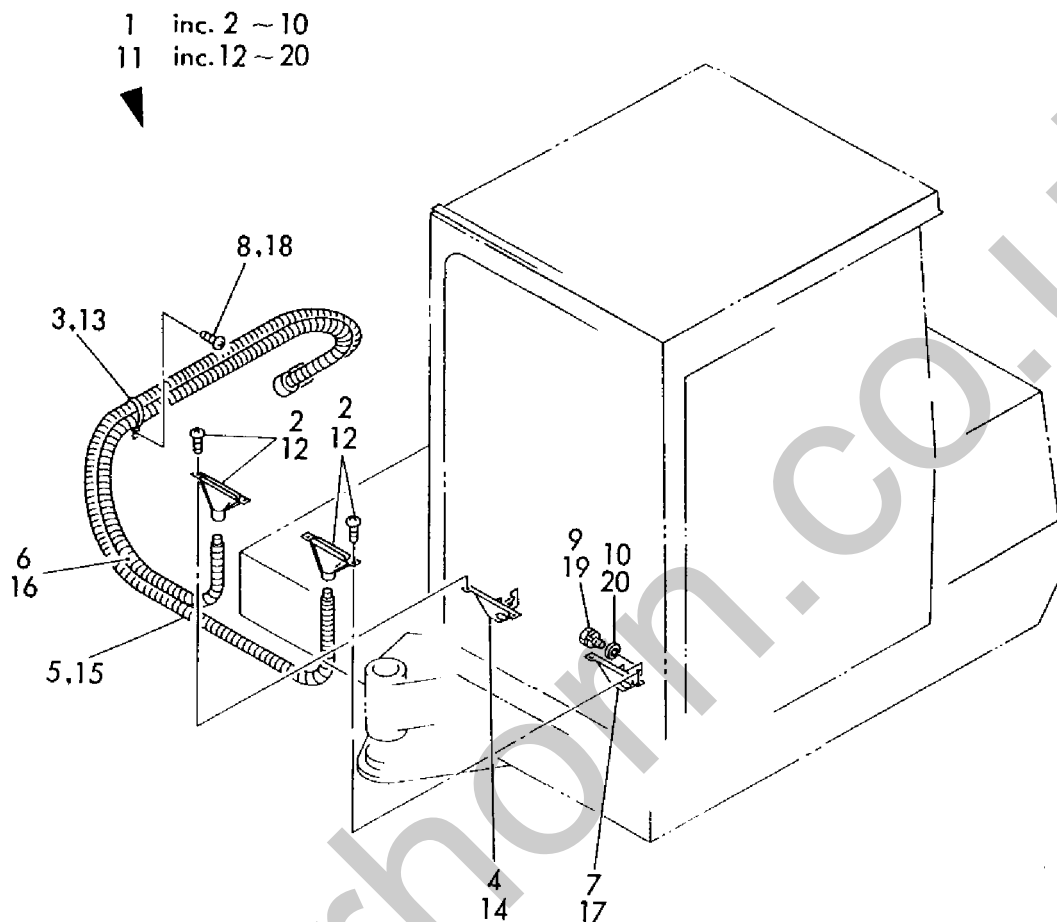


1,1,,772124-17720,, "DEFROSTER QCB ASSY." ,,,1,,1,W,1,,,,,\*1988.08,,,,,\*1988.08  
 2,2,,172120-17710,, "NOZZLE, DEFROSTER" ,,,2,,2,W,,,,,\*1988.08,,,,,\*1988.08  
 3,2,,172122-16590,, "BAND 200F" ,,,2,,2,W,,,,,\*1988.08,,,,,\*1988.08  
 4,2,,172122-17701,, "STAY, NOZZLE" ,,,1,,1,W,,,,,\*1988.08,,,,,\*1988.08  
 5,2,,172124-17700,, "HOSE(L), DEFROSTER" ,,,1,,1,W,,,,,\*1988.08,,,,,\*1988.08  
 6,2,,172124-17740,, "HOSE(R), DEFROSTER" ,,,1,,1,W,,,,,\*1988.08,,,,,\*1988.08  
 7,2,,172135-17700,, "STAY" ,,,1,,1,W,,,,,\*1988.08,,,,,\*1988.08  
 8,2,,22857-400120,, "SCREW 4X12" ,,,2,,2,W,,,,,\*1988.08,,,,,\*1988.08  
 9,2,,26013-100252,, "BOLT W/WASHER M10X25" ,,,4,,4,W,,,,,\*1988.08,,,,,\*1988.08  
 10,2,,22137-100000,, "WASHER 10,POLISHED" ,,,4,,4,W,,,,,\*1988.08,,,,,\*1988.08  
 11,1,,772124-17730,, "DEFROSTER QCB  
 ASSY." ,,,1,,1,W,2,,,,,\*1988.08,,,,,\*1988.08  
 12,2,,172120-17710,, "NOZZLE, DEFROSTER" ,,,2,,2,W,,,,,\*1988.08,,,,,\*1988.08  
 13,2,,172122-16590,, "BAND 200F" ,,,2,,2,W,,,,,\*1988.08,,,,,\*1988.08  
 14,2,,172122-17701,, "STAY, NOZZLE" ,,,1,,1,W,,,,,\*1988.08,,,,,\*1988.08  
 15,2,,172124-17700,, "HOSE(L), DEFROSTER" ,,,1,,1,W,,,,,\*1988.08,,,,,\*1988.08  
 16,2,,172124-17740,, "HOSE(R), DEFROSTER" ,,,1,,1,W,,,,,\*1988.08,,,,,\*1988.08  
 17,2,,172135-17730,, "STAY COMP.,NOZZLE L" ,,,1,,1,W,,,,,\*1988.08,,,,,\*1988.08  
 18,2,,22857-400120,, "SCREW 4X12" ,,,2,,2,W,,,,,\*1988.08,,,,,\*1988.08  
 19,2,,26013-100252,, "BOLT W/WASHER  
 M10X25" ,,,4,,4,W,,,,,\*1988.08,,,,,\*1988.08



Fig. **85** デフロスタ B (クイックチェンジ)(オプション)  
DEFROSTER B (QUICK CHANGE) (OPTIONAL)

SPEC. CODE  
D72124-17720  
D72124-17730

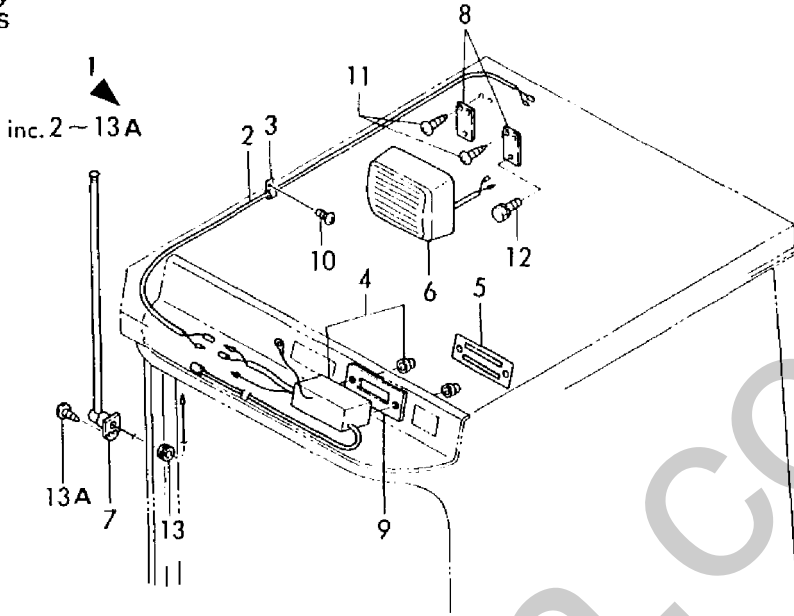


1,1,,772124-17800,, "RADIO ASSY",,,1,,1,Z,,,,,M20519,,,,,M20502  
 2,2,,172124-16540,, "LEAD WIRE",,,1,,1,,,,,  
 3,2,,172122-16590,, "BAND 200F",,,5,,5,,,,,  
 4,2,,172112-17150,, "RADIO (RA-155)",,,1,,1,,,,,  
 5,2,,172112-17160,, "PANEL (PLA-03-100)",,,1,,1,,,,,  
 6,2,,172112-17170,, "SPEAKER (SPA-457)",,,1,,1,,,,,  
 7,2,,172112-17190,, "ANTENNA (NCP-314)",,,1,,1,,,,,  
 8,2,,172124-17810,, "STAY, SPEAKER",,,2,,2,,,,,  
 9,2,,172122-18190,, "PANEL, RADIO",,,1,,1,,,,,  
 10,2,,22857-400120,, "SCREW 4X12",,,5,,5,,,,,  
 11,2,,22857-400120,, "SCREW 4X12",,,4,,4,,,,,  
 12,2,,26013-060162,, "BOLT M 6X 16",,,2,,2,,,,,  
 13,2,,933168-56000,, "GROMMET 17X19",,,1,,1,,,,,  
 13A,2,,22857-500120,, "SCREW 5X12",,,2,,2,,,,,  
 14,1,,772132-17800,, "RADIO ASSY",,,1,,1,W,,,,,M20519,,,,,M20502  
 15,2,,172122-16590,, "BAND 200F",,,8,,8,,,,,  
 16,2,,172135-17100,, "BRACKET (A)",,,1,,1,,,,,  
 17,2,,172132-17140,, "BRACKET (B)",,,1,,1,,,,,  
 18,2,,172112-17150,, "RADIO (RA-155)",,,1,,1,,,,,  
 19,2,,172112-17160,, "PANEL (PLA-03-100)",,,1,,1,,,,,  
 20,2,,172112-17171,, "SPEAKER (SPA-413)",,,1,,1,,,,,  
 21,2,,172112-17190,, "ANTENNA (NCP-314)",,,1,,1,,,,,  
 22,2,,172135-17200,, "LEAD WIRE, RADIO",,,1,,1,,,,,  
 23,2,,172124-17812,, "STAY, SPEAKER",,,1,,1,,,,,  
 24,2,,172112-69300,, "GROMMET 22X2",,,1,,1,,,,,  
 25,2,,22857-400120,, "SCREW 4X12",,,8,,8,,,,,  
 26,2,,22857-500120,, "SCREW 5X12",,,2,,2,,,,,  
 27,2,,26023-060122,, "SCREW M 6X 12",,,5,,5,,,,,  
 28,2,,26023-060122,, "SCREW M 6X 12",,,2,,2,,,,,  
 29,2,,26557-040122,, "SCREW M 4X 12,PAN HD",,,2,,2,,,,,  
 30,2,,933168-56000,, "GROMMET 17X19",,,2,,2,,,,,  
 31,2,,172135-17210,, "LEAD WIRE, ANTENNA",,,1,,1,W,,,,,M20876,,,,,M20574

Fig. **86** ラジオ(オプション)  
RADIO (OPTIONAL)

SPEC. CODE  
D72132-17800

キューガタ  
PREVIOUS



シンガタ  
NEW TYPE

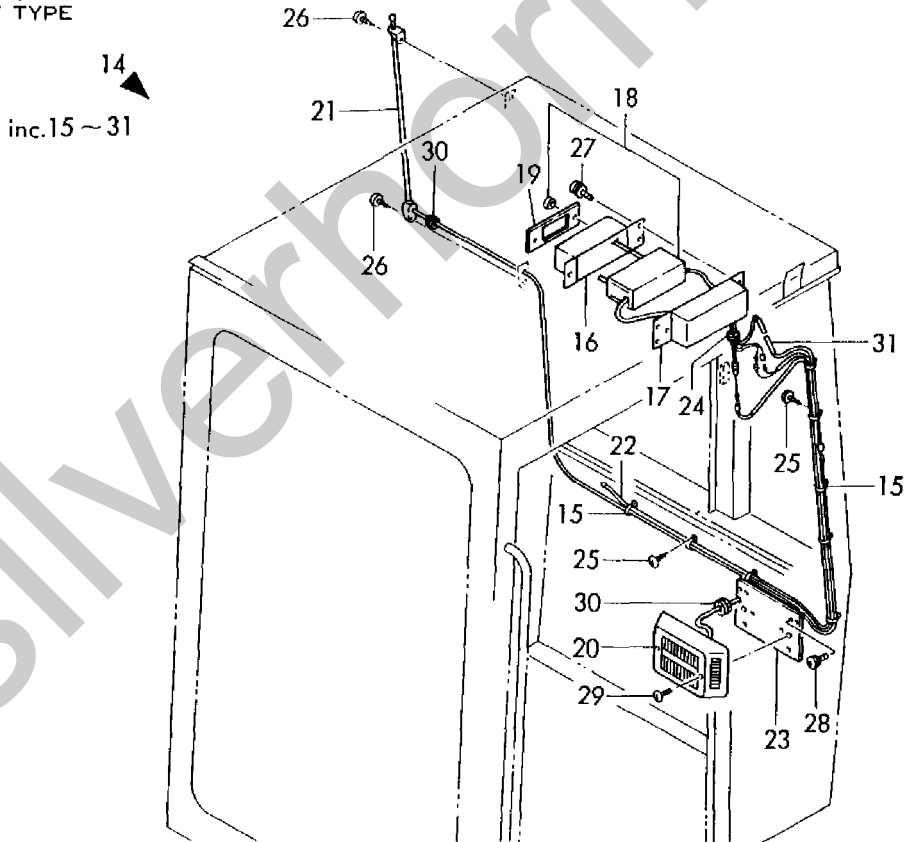
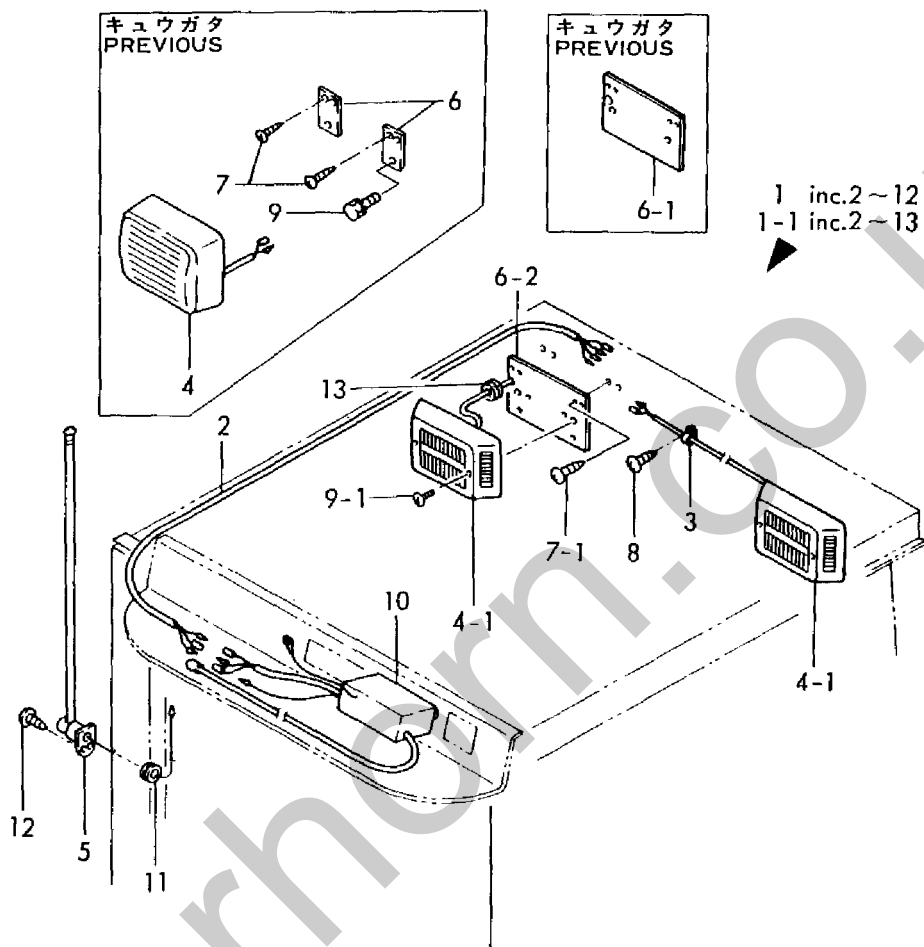






Fig. **87** ステレオ(オプション)  
STEREO(OPTIONAL)

SPEC. CODE  
D72124-17810



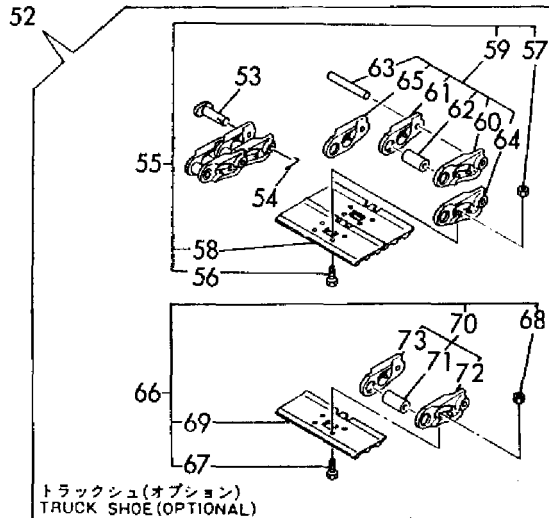
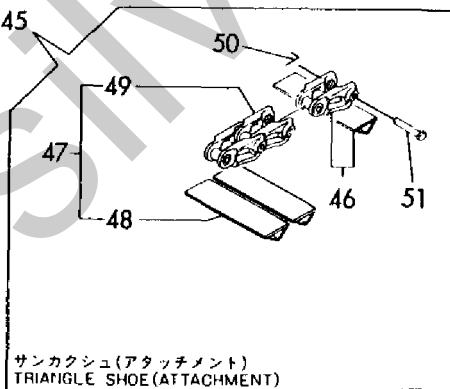
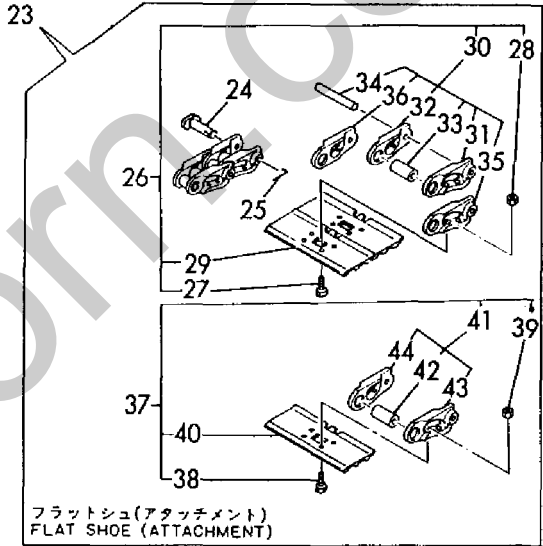
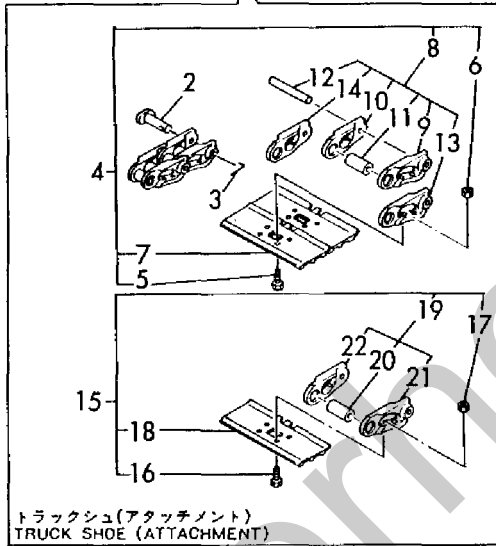
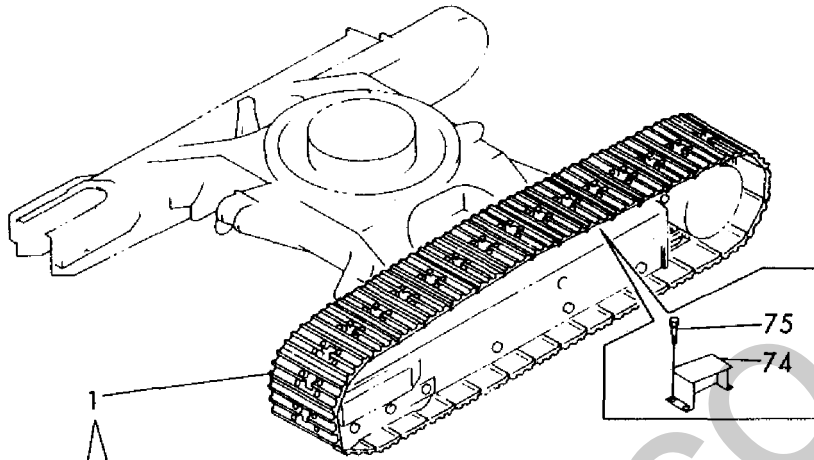
1,1,,772124-38150,, "CRAWLER ASSY, 500" ,,,2,,2,,,,,,,,,,,,,  
1-1,1,,772124-38111,, "CRAWLER ASSY, 500" ,,,2,2,,2,N,1,,,,,,,,,M00670,,,,,,M00670  
2,2,,172112-38103,, "PIN, MASTER" ,,,2,,2,,,,,,,,,,,,,  
2-1,2,,172124-38250,, "PIN, MASTER" ,,,2,2,,2,S,,,,,,,,,M00670,,,,,,M00670  
3,2,,172112-38111,, "PIN, COTTER" ,,,2,2,,2,,,,,,,,,,,,,  
4,2,,172124-38150,, "CRAWLER ASSY, 500" ,,,2,,2,,,,,,,,,,,,,  
4-1,2,,172124-38151,, "CRAWLER ASSY, 500" ,,,2,2,,2,S,,,,,,,,,M00670,,,,,,M00670  
5,3,,172112-38130,, "BOLT, SHOE" ,,,296,296,,296,,,,,,,,,,,,,  
6,3,,172112-38140,, "NUT, SHOE" ,,,296,296,,296,,,,,,,,,,,,,  
7,3,,172124-38160,, "SHOW PLATE" ,,,74,74,,74,,,,,,,,,,,,,  
8,3,,772124-38010,, "LINK ASSY, TRACK" ,,,2,,2,,,,,,,,,,,,,  
8-1,3,,172124-38111,, "LINK ASSY, TRUCK" ,,,2,2,,2,S,,,,,,,,,M00670,,,,,,M00670  
9,4,,172112-38041,, "LINK (L), TRACK" ,,,72,72,,72,,,,,,,,,,,,,  
10,4,,172112-38051,, "LINK (R), TRACK" ,,,72,72,,72,,,,,,,,,,,,,  
11,4,,172112-38081,, "BUSH" ,,,74,74,,74,,,,,,,,,,,,,  
12,4,,172112-38091,, "PIN, TRACK" ,,,72,72,,72,,,,,,,,,,,,,  
13,4,,172124-38260,, "LINK (L), MASTER" ,,,2,2,,2,,,,,,,,,,,,,  
14,4,,172124-38270,, "LINK (R), MASTER" ,,,2,2,,2,,,,,,,,,,,,,  
15,1,,172124-38210,, "MASTER TRUCK" ,,,2,,2,,,,,,,,,,,,,  
15-1,1,,172124-38211,, "MASTER TRACK 500" ,,,2,2,,2,S,1,,,,,,,,,M00670,,,,,,M00670  
16,2,,172112-38130,, "BOLT, SHOE" ,,,2,2,,2,,,,,,,,,,,,,  
17,2,,172112-38140,, "NUT, SHOE" ,,,8,8,,8,,,,,,,,,,,,,  
18,2,,172124-38160,, "SHOW PLATE" ,,,8,8,,8,,,,,,,,,,,,,  
19,2,,172112-38122,, "LINK, MASTER" ,,,2,,2,,,,,,,,,,,,,  
19-1,2,,172124-38300,, "LINK, MASTER" ,,,2,2,,2,S,,,,,,,,,M00670,,,,,,M00670  
20,3,,172112-38081,, "BUSH" ,,,2,2,,2,,,,,,,,,,,,,  
21,3,,172124-38260,, "LINK (L), MASTER" ,,,2,2,,2,,,,,,,,,,,,,  
22,3,,172124-38270,, "LINK (R), MASTER" ,,,2,2,,2,,,,,,,,,,,,,  
23,1,,772124-38400,, "CRAWLER ASSY, 400" ,,,2,,2,,,,,,,,,,,,,  
23-1,1,,772124-38401,, "CRAWLER ASSY, 400" ,,,2,,2,N,,,,,,,,,M00670,,,,,,M00670  
24,2,,172112-38103,, "PIN, MASTER" ,,,2,,2,,,,,,,,,,,,,  
24-1,2,,172124-38250,, "PIN, MASTER" ,,,2,,2,S,,,,,,,,,M00670,,,,,,M00670  
25,2,,172112-38111,, "PIN, COTTER" ,,,2,,2,,,,,,,,,,,,,  
26,2,,172124-38400,, "SHOE 400 ASSY, FLAT" ,,,2,,2,,,,,,,,,,,,,  
26-1,2,,172124-38401,, "SHOE 400 ASSY, FLAT" ,,,2,,2,S,,,,,,,,,M00670,,,,,,M00670  
27,3,,172112-38130,, "BOLT, SHOE" ,,,296,,296,,,,,,,,,,,,,  
28,3,,172112-38140,, "NUT, SHOE" ,,,296,,296,,,,,,,,,,,,,  
29,3,,172112-38651,, "CRAWLER, FLAT" ,,,74,,74,,,,,,,,,,,,,  
30,3,,772124-38010,, "LINK ASSY, TRACK" ,,,2,,2,,,,,,,,,,,,,  
30-1,3,,172124-38111,, "LINK ASSY, TRUCK" ,,,2,,2,S,,,,,,,,,M00670,,,,,,M00670  
31,4,,172112-38041,, "LINK (L), TRACK" ,,,72,,72,,,,,,,,,,,,,  
32,4,,172112-38051,, "LINK (R), TRACK" ,,,72,,72,,,,,,,,,,,,,  
33,4,,172112-38081,, "BUSH" ,,,74,,74,,,,,,,,,,,,,  
34,4,,172112-38091,, "PIN, TRACK" ,,,72,,72,,,,,,,,,,,,,  
35,4,,172124-38260,, "LINK (L), MASTER" ,,,2,,2,,,,,,,,,,,,,  
36,4,,172124-38270,, "LINK (R), MASTER" ,,,2,,2,,,,,,,,,,,,,  
37,1,,172112-38613,, "FLAT SHOE, MASTER" ,,,2,,2,,,,,,,,,,,,,  
37-1,1,,172124-38420,, "FLAT SHOE, MASTER" ,,,2,,2,S,,,,,,,,,M00670,,,,,,M00670  
38,2,,172112-38130,, "BOLT, SHOE" ,,,8,,8,,,,,,,,,,,,,  
39,2,,172112-38140,, "NUT, SHOE" ,,,8,,8,,,,,,,,,,,,,  
40,2,,172112-38651,, "CRAWLER, FLAT" ,,,2,,2,,,,,,,,,,,,,  
41,2,,172112-38122,, "LINK, MASTER" ,,,2,,2,,,,,,,,,,,,,  
41-1,2,,172124-38300,, "LINK, MASTER" ,,,2,,2,S,,,,,,,,,M00670,,,,,,M00670  
42,3,,172112-38081,, "BUSH" ,,,2,,2,,,,,,,,,,,,,  
43,3,,172124-38260,, "LINK (L), MASTER" ,,,2,,2,,,,,,,,,,,,,  
44,3,,172124-38270,, "LINK (R), MASTER" ,,,2,,2,,,,,,,,,,,,,  
45,1,,772124-38500,, "SHOE(460) ASSY" ,,,2,,2,,,,,,,,,,,,,  
45-1,1,,772124-38501,, "CRAWLER ASSY, 460" ,,,2,,2,N,,,,,,,,,M00670,,,,,,M00670  
46,2,,172112-38412,, "PLATE, TRUCK LINK" ,,,2,,2,,,,,,,,,,,,,  
46-1,2,,172124-38520,, "CRAWLER ASSY, MASTER" ,,,2,,2,S,,,,,,,,,M00670,,,,,,M00670  
47,2,,172124-38500,, "CRAWLER ASSY, 460" ,,,2,,2,,,,,,,,,,,,,  
47-1,2,,172124-38501,, "SHOE 460 ASSY" ,,,2,,2,S,,,,,,,,,M00670,,,,,,M00670  
48,3,,172124-38550,, "SHOE ASSY" ,,,72,,72,,,,,,,,,,,,,

49,3,,772124-38010,, "LINK ASSY, TRACK",,,2,,2,,,,,  
 49-1,3,,172124-38511,, "LINK ASSY, TRACK",,,2,,2,S,,,,,M00670,,,,,M00670  
 50,2,,172112-38111,, "PIN, COTTER",,,2,,2,,,,,  
 51,2,,172112-38103,, "PIN, MASTER",,,2,,2,,,,,  
 51-1,2,,172124-38250,, "PIN, MASTER",,,2,,2,S,,,,,M00670,,,,,M00670  
 52,1,,772124-38700,, "CRAWLER ASSY, 380G",,,2,,2,,,,,  
 52-1,1,,772124-38701,, "CRAWLER ASSY, 380G",,,2,,2,2,S,2,,,,,M00795,,,,,M00670  
 53,2,,172112-38103,, "PIN, MASTER",,,2,,2,,,,,  
 53-1,2,,172124-38250,, "PIN, MASTER",,,2,,2,2,S,,,,,M00670,,,,,M00670  
 54,2,,172112-38111,, "PIN, COTTER",,,2,,2,2,,,,,  
 55,2,,172124-38700,, "SHOE 380G, TRACK",,,2,,2,,,,,  
 55-1,2,,172124-38701,, "SHOE 380G, TRACK",,,2,,2,2,S,,,,,M00795,,,,,M00670  
 56,3,,172112-38130,, "BOLT, SHOE",,,296,,296,296,,,,,  
 57,3,,172112-38140,, "NUT, SHOE",,,296,,296,296,,,,,  
 58,3,,172124-38710,, "SHOE PLATE (G)",,,74,,74,74,,,,,  
 59,3,,172124-38110,, "LINK ASSY",,,2,,2,,,,,  
 59-1,3,,172124-38111,, "LINK ASSY, TRUCK",,,2,,2,2,S,,,,,M00795,,,,,M00670  
 60,4,,172112-38041,, "LINK (L), TRACK",,,72,,72,72,,,,,  
 61,4,,172112-38051,, "LINK (R), TRACK",,,72,,72,72,,,,,  
 62,4,,172112-38081,, "BUSH",,,74,,74,74,,,,,  
 63,4,,172112-38091,, "PIN, TRACK",,,72,,72,72,,,,,  
 64,4,,172124-38260,, "LINK (L), MASTER",,,2,,2,2,,,,,  
 65,4,,172124-38270,, "LINK (R), MASTER",,,2,,2,2,,,,,  
 66,1,,172112-38011,, "TRUCK, MASTER",,,2,,2,2,2,,,,,  
 67,2,,172112-38130,, "BOLT, SHOE",,,8,,8,8,,,,,  
 68,2,,172112-38140,, "NUT, SHOE",,,8,,8,8,,,,,  
 69,2,,172124-38710,, "SHOE PLATE (G)",,,2,,2,2,,,,,  
 70,2,,172112-38122,, "LINK, MASTER",,,2,,2,2,,,,,  
 71,3,,172112-38081,, "BUSH",,,2,,2,2,,,,,  
 72,3,,172124-38260,, "LINK (L), MASTER",,,2,,2,2,,,,,  
 73,3,,172124-38270,, "LINK (R), MASTER",,,2,,2,2,,,,,  
 74,1,,172124-38170,, "PLATE, SLIDE",,,4,4,,4,3,,,,,  
 75,1,,26013-100252,, "BOLT W/WASHER M10X25",,,16,16,,16,3,,,,,



SPEC. CODE  
 D72124-38111  
 D72124-38401  
 D72124-38501  
 D72124-38701

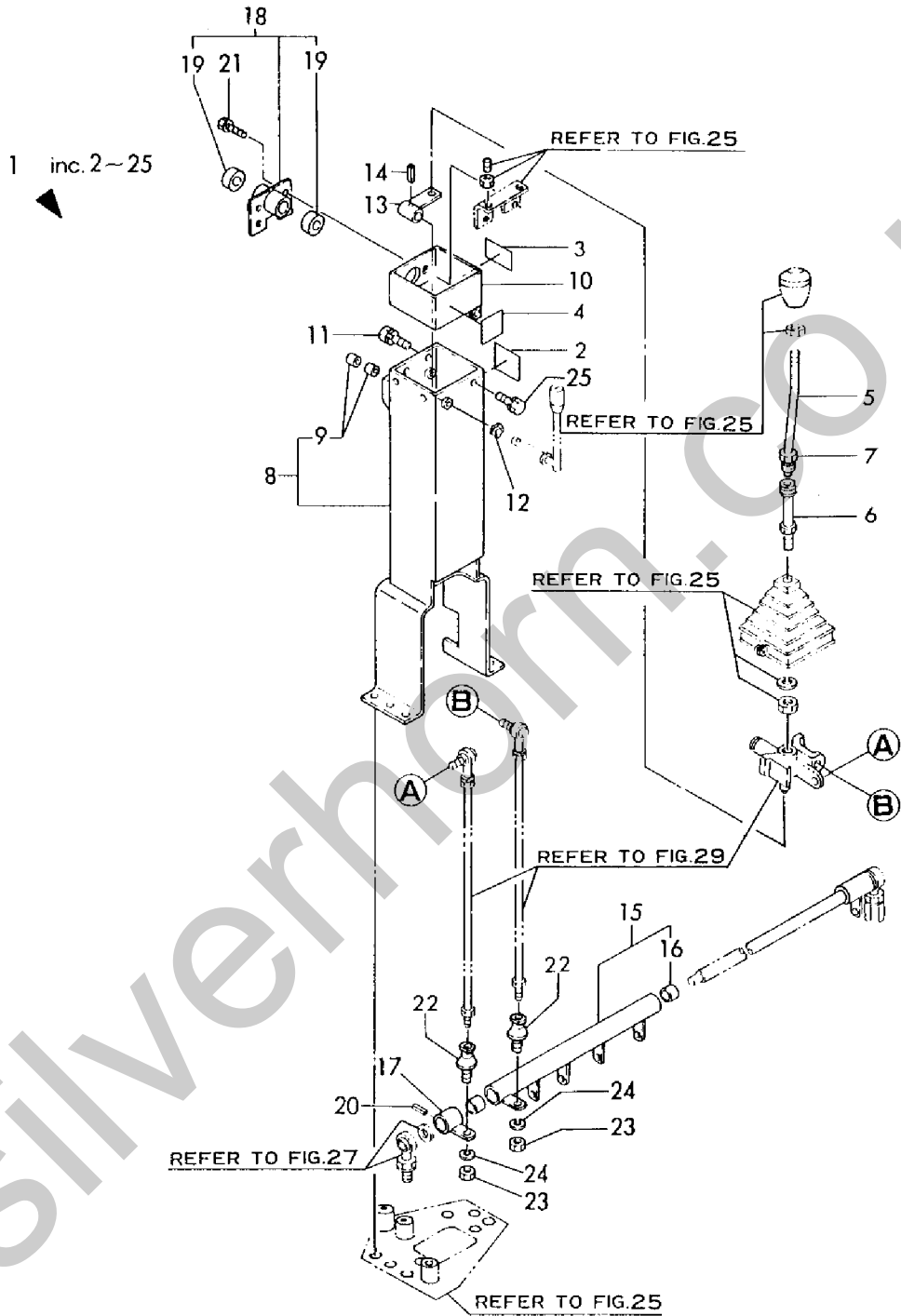
Fig. 88 クローラ(オプション)  
 CRAWLER (OPTIONAL)



1,1,,772124-45110,, "LEVER ASSY,B QUICK",,,1,,1,,,,,,,,,  
1-1,1,,772124-45111,, "LEVER ASSY, B QUICK",,,1,,1,S,1,,,,,,,,,M20501,,,,,,,,,M20501  
2,2,,172122-03280,, "LABEL,OPERATION",,,1,,1,,,,,,,,,  
3,2,,172122-03290,, "LABEL,QUICK OPER.(A)",,,1,,1,,,,,,,,,  
4,2,,172122-03300,, "LABEL,QUICK OPER.(B)",,,1,,1,,,,,,,,,  
5,2,,172122-46801,, "LEVER (L)",,,1,,1,,,,,,,,,  
6,2,,172122-46831,, "JOINT, LEVER",,,1,,1,,,,,,,,,  
7,2,,172122-46861,, "NUT M24",,,1,,1,,,,,,,,,  
8,2,,172124-45900,, "STAND W/BUSH,LEVER L",,,1,,1,,,,,,,,,  
8-1,2,,172124-45901,, "STAND, LEVER (L)",,,1,,1,N,1,,,,,,,,,M20501,,,,,,,,,M20501  
9,3,,933171-23680,, "BUSH 14X15",,,2,,2,,,,,,,,,  
10,2,,172122-47180,, "PIPE, LINK",,,1,,1,,,,,,,,,  
11,2,,26013-100202,, "BOLT W/WASHER M10X20",,,2,,2,,,,,,,,,  
12,2,,172614-45170,, "SPRING 12",,,2,,2,,,,,,,,,  
13,2,,172122-46980,, "ARM, LOCK",,,1,,1,,,,,,,,,  
14,2,,22351-040020,, "SPRING PIN 4X20",,,1,,1,,,,,,,,,  
15,2,,172124-45100,, "LINK (H)",,,1,,1,,,,,,,,,  
15-1,2,,172124-45101,, "LINK H",,,1,,1,S,,,,,,,,,M00957,,,,,,,,,M00690  
16,3,,172112-42730,, "BUSH 20X15",,,2,,2,,,,,,,,,  
17,2,,172122-46900,, "LINK (G)",,,1,,1,,,,,,,,,  
17-1,2,,172122-46901,, "LINK G",,,1,,1,S,1,,,,,,,,,M20501,,,,,,,,,M20501  
18,2,,172122-46920,, "BOSS W/BUSH, LINK",,,1,,1,,,,,,,,,  
18-1,2,,172122-46921,, "BOSS W/BUSH, LINK",,,1,,1,S,1,,,,,,,,,M20501,,,,,,,,,M20501  
19,3,,172116-46960,, "BUSH 20X15",,,2,,2,,,,,,,,,  
19-1,3,,24162-172312,, "NEEDLE BEARING",,,2,,2,S,1,,,,,,,,,M20501,,,,,,,,,M20501  
20,2,,22351-050032,, "SPRING PIN 5X32",,,1,,1,,,,,,,,,  
20-1,2,,22351-050036,, "SPRING PIN 5X36",,,1,,1,N,,,,,,,,,M00957,,,,,,,,,M00690  
21,2,,26013-100202,, "BOLT W/WASHER M10X20",,,2,,2,,,,,,,,,  
22,2,,172122-47250,, "BALL 8, LINK",,,2,,2,,,,,,,,,  
23,2,,26716-080002,, "NUT M 8",,,2,,2,,,,,,,,,  
24,2,,22217-080000,, "SPRING WASHER 8",,,2,,2,,,,,,,,,  
25,2,,26013-100162,, "BOLT M10X 16",,,1,,1,,,,,,,,,

Fig. **89** Bタイプクイックレバー(オプション)  
 B TYPE QUICK LEVER(OPTIONAL)

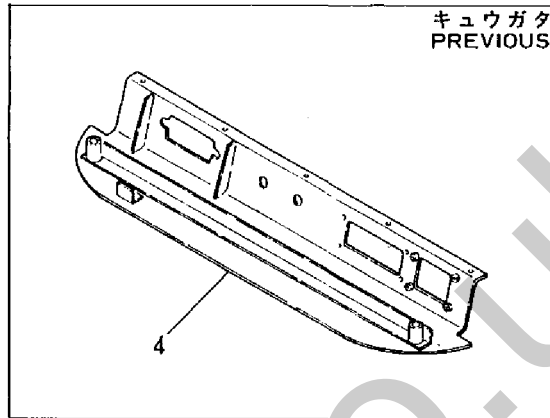
SPEC. CODE  
 D72122-03180  
 D72122-45110  
 D72124-45211  
 D72124-45410  
 D72122-45510  
 D72124-45611



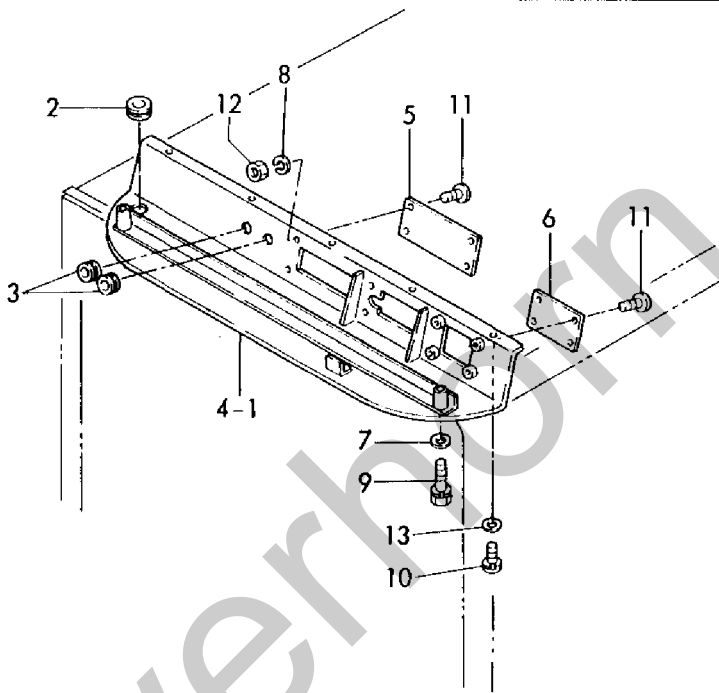
1,1,,772122-63130,, "PANEL ASSY,OVER HEAD",,,1,,1,1,,1,,,,,,,,,  
2,2,,172122-16710,, "BUSH 115",,,1,,1,1,,,,,,,,,  
3,2,,172111-16890,, "GROMMET 9",,,2,,2,2,,,,,,,,,  
4,2,,172122-18100,, "PANEL, OVER HEAD",,,1,,1,1,,,,,,,,,  
4-1,2,,172122-18101,, "PANEL, OVER  
HEAD",,,1,,1,1,N,,,,,,,,\*1984.11,,,,\*1984.11,,\*1984.11  
5,2,,172122-18200,, "COVER (A)",,,2,,2,2,,,,,,,,,  
6,2,,172122-18210,, "COVER (B)",,,1,,1,1,,,,,,,,,  
7,2,,22137-100000,, "WASHER 10,POLISHED",,,2,,2,2,,,,,,,,,  
8,2,,22217-040000,, "SPRING WASHER 4",,,8,,8,8,,,,,,,,,  
9,2,,26013-100402,, "BOLT M10X 40",,,2,,2,2,,,,,,,,,  
10,2,,26022-060122,, "SCREW M 6X 12",,,5,,5,5,,,,,,,,,  
11,2,,26557-040102,, "SCREW M 4X 10",,,12,,12,12,,,,,,,,,  
12,2,,26716-040002,, "NUT M 4",,,8,,8,8,,,,,,,,,  
13,2,,22137-060000,, "WASHER 6, POLISHED",,,5,,5,5,,,,,,,,,

Silverhorn.CO.UK

Fig. **90** オーバーヘッドパネル(オプション)  
OVERHEAD PANEL(OPTIONAL) SPEC. CODE  
D72122-63130



1  
inc.2~13

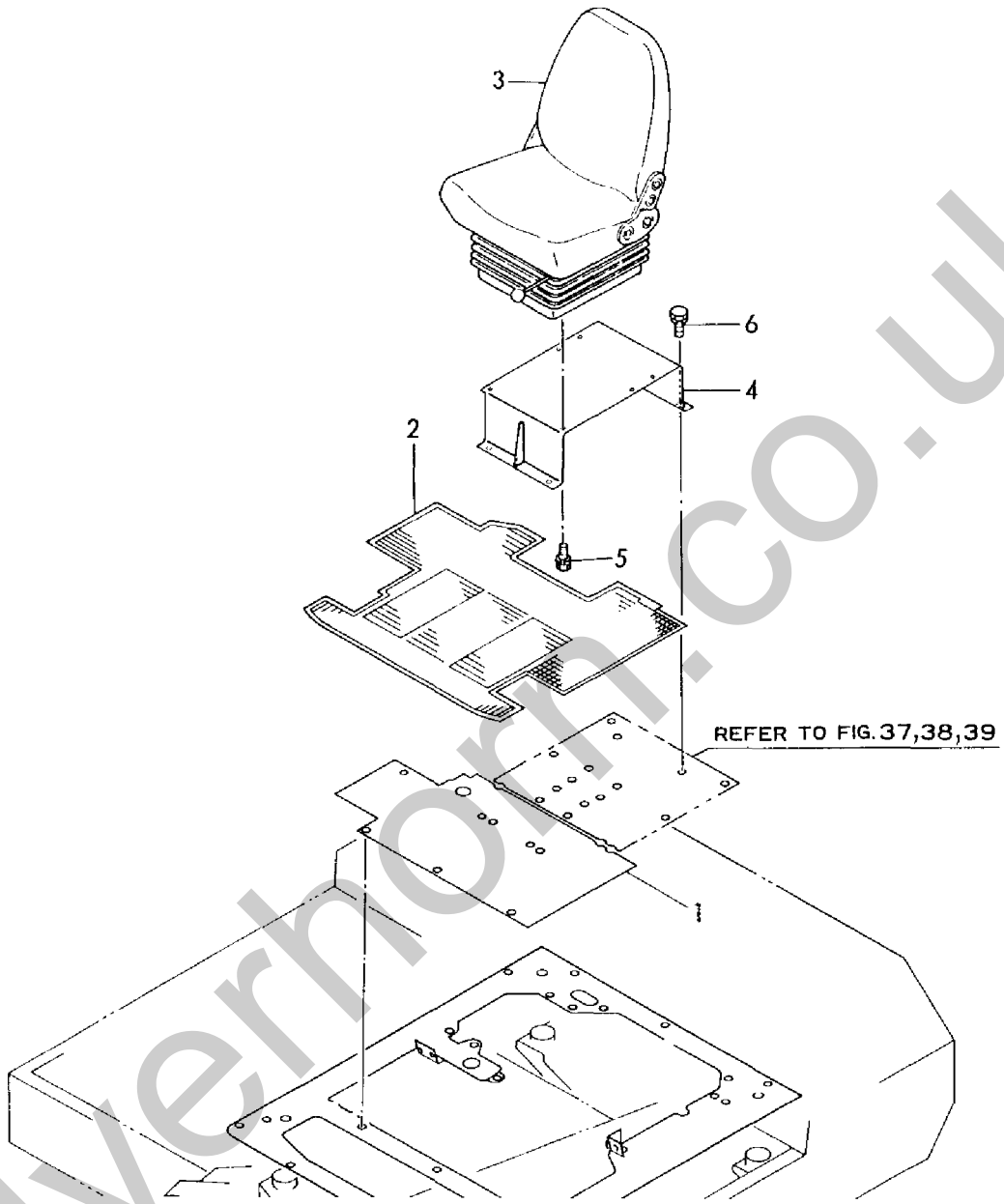




1,1,,172124-62400,, "STEP CENTER",,,1,,1,,,,,,,,,  
1-1,1,,172124-62401,, "EV CENTER STEP  
ASSY" ,,,1,,1,S,,,,,,,,\*1986.03,,,,,,,,\*1986.03  
2,1,,172124-62430,, "MAT (GR), FLOOR",,,1,,1,,,,,,,,,  
2-1,1,,172124-62431,, "FLOOR MAT(GR)",,,1,,1,N,,,,,,,,\*1986.04,,,,,,,,\*1986.04  
3,1,,172122-64300,, "SEAT, OPERATOR",,,1,,1,,,,,,,,,  
4,1,,172312-64200,, "MOUNT (GR), SEAT",,,1,,1,,,,,,,,,  
5,1,,26013-080202,, "BOLT W/WASHER M8X20",,,6,,6,,,,,,,,,  
6,1,,26013-100252,, "BOLT W/WASHER M10X25",,,4,,4,,,,,,,,,

Silverhorn.CO.UK

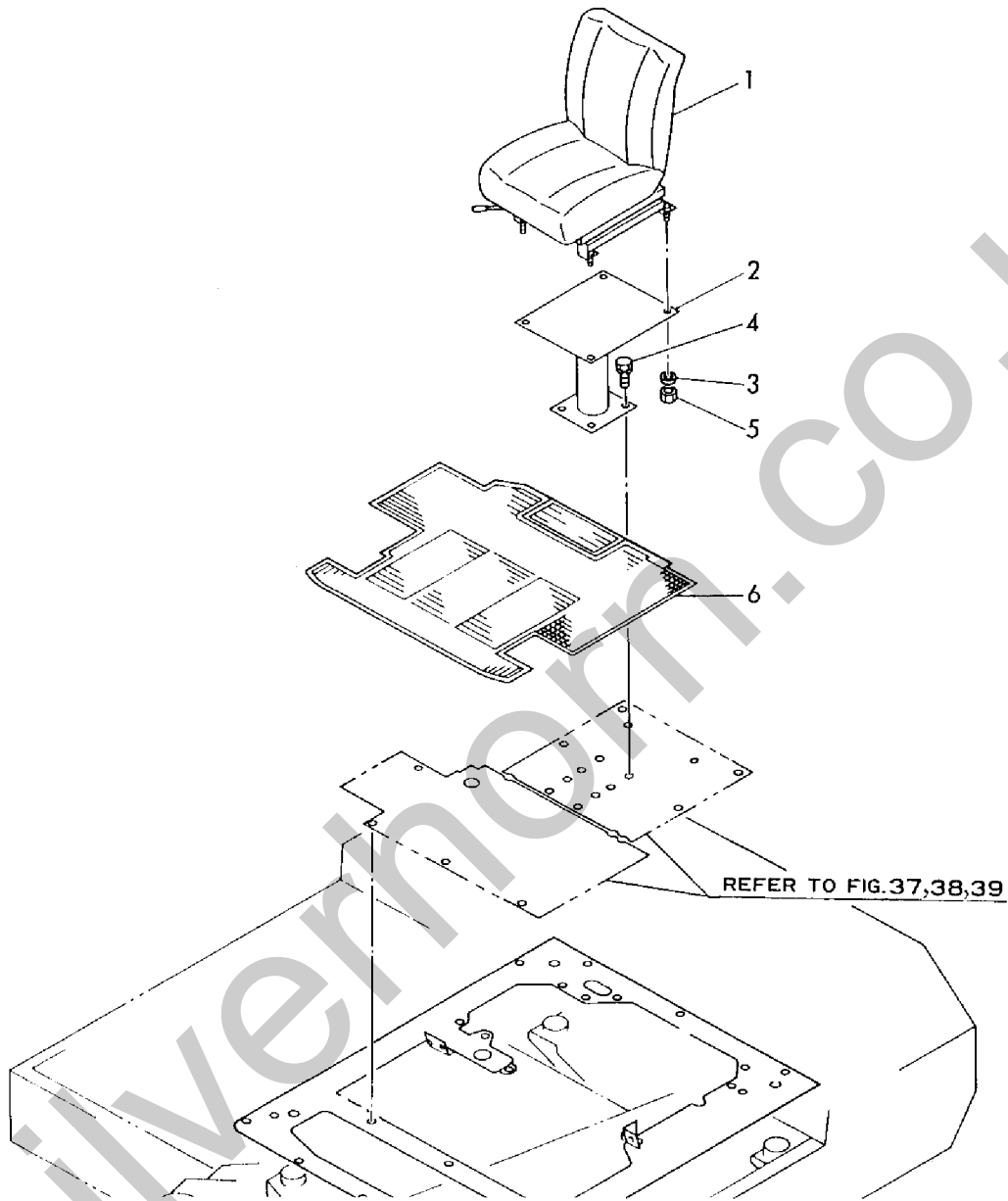
Fig. **91** シート & ステップ(1)(オプション) SPEC. CODE  
SEAT & STEP(1)(OPTIONAL) D72124-62121  
D72124-64230



1,1,,172122-64200,, "SEAT, OPERATOR",,,1,,1,,,,,,,,,  
2,1,,172122-64210,, "MOUNT (A), SEAT",,,1,,1,,,,,,,,,  
3,1,,22217-100000,, "SPRING WASHER 10",,,4,,4,,,,,,,,,  
4,1,,26013-100202,, "BOLT W/WASHER M10X20",,,4,,4,,,,,,,,,  
5,1,,26736-100002,, "NUT M10",,,4,,4,,,,,,,,,  
6,1,,172124-62191,, "MAT, FLOOR",,,1,,1,,,,,,,,,

Silverhorn.CO.UK

Fig. **92** シート&ステップ(2)(オプション) SPEC. CODE  
SEAT & STEP(2) (OPTIONAL) D72124-64210

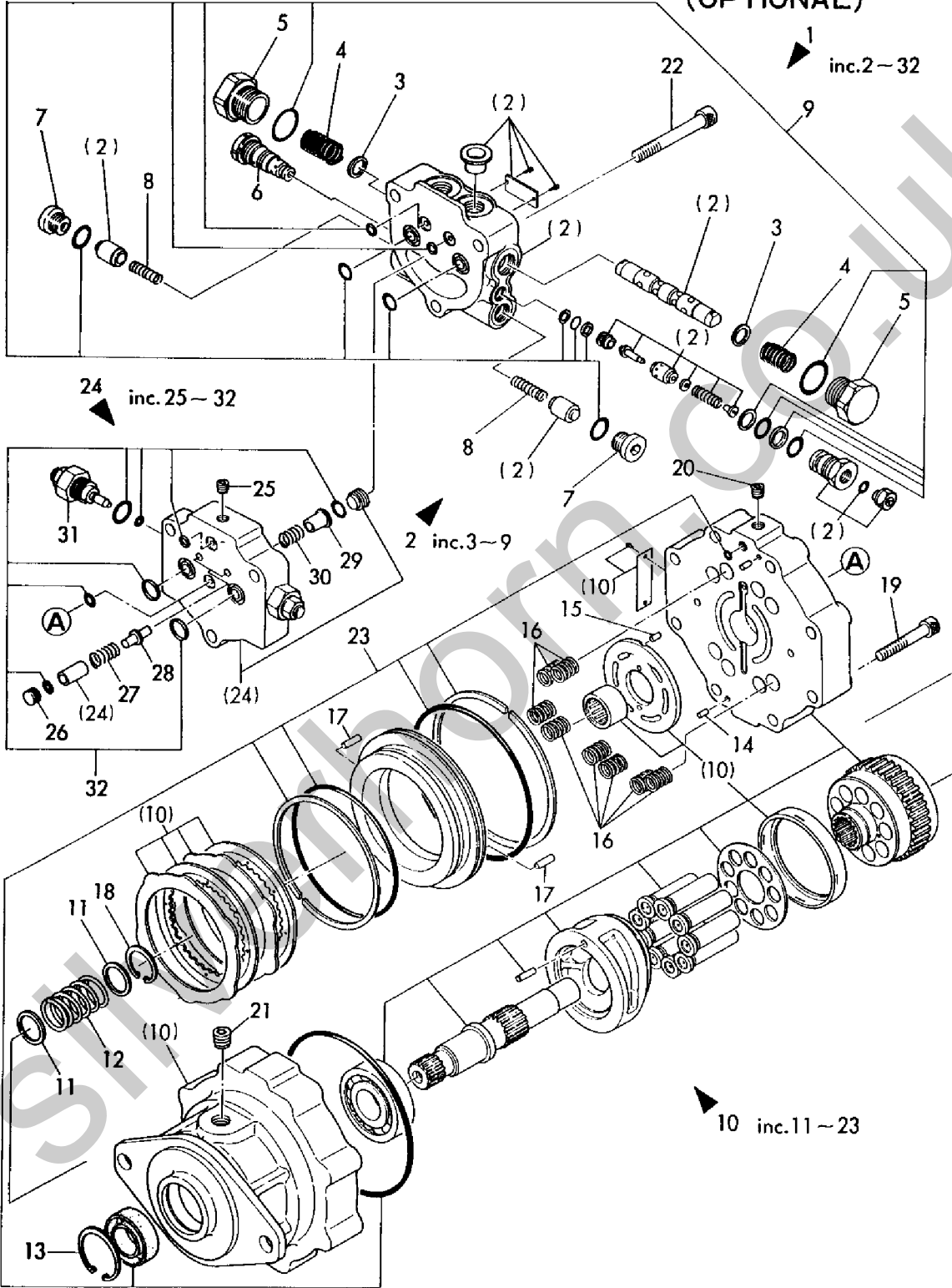


1,1,,172124-73400,, "MOTOR ASSY,TURNING",,1,1,,1,1,,,,,,,,,  
 2,2,,172124-73420,, "BRAKE VALVE",,1,1,,1,,,,,,,,,  
 3,3,,172122-70460,, "SPRING SEAT",,2,2,,2,,,,,,,,,  
 4,3,,172122-70470,, "SPRING",,2,2,,2,,,,,,,,,  
 5,3,,172122-70740,, "CAP",,2,2,,2,,,,,,,,,  
 6,3,,172124-73430,, "RELIEF VALVE",,2,2,,2,,,,,,,,,  
 7,3,,172122-70720,, "PLUG",,2,2,,2,,,,,,,,,  
 8,3,,172122-70710,, "SPRING",,2,2,,2,,,,,,,,,  
 9,3,,172122-73500,, "SEAL SET",,1,1,,1,,,,,,,,,  
 10,2,,172122-73390,, "PISTON MOTOR MSF-37N",,1,1,,1,,,,,,,,,  
 11,3,,172122-70670,, "WASHER",,2,2,,2,,,,,,,,,  
 12,3,,172122-70660,, "SPRING",,1,1,,1,,,,,,,,,  
 13,3,,172122-70640,, "SNAP RING",,1,1,,1,,,,,,,,,  
 14,3,,172122-70650,, "PARALLEL PIN",,2,2,,2,,,,,,,,,  
 15,3,,172122-73470,, "PIN",,1,1,,1,,,,,,,,,  
 16,3,,172122-73460,, "SPRING",,1,8,,8,,,,,,,,,  
 17,3,,172122-73450,, "PIN",,2,2,,2,,,,,,,,,  
 18,3,,172122-70630,, "SNAP RING",,1,1,,1,,,,,,,,,  
 19,3,,172122-73440,, "BOLT",,8,,8,,,,,,,,,  
 20,3,,172122-73430,, "PLUG",,1,1,,1,,,,,,,,,  
 21,3,,23871-030000,, "PLUG PT3/8,SCREW",,1,1,,1,,,,,,,,,  
 22,3,,172122-73410,, "BOLT",,3,3,,3,,,,,,,,,  
 23,3,,172122-73400,, "SEAL SET, MOTOR",,1,1,,1,,,,,,,,,  
 24,2,,172122-73320,, "VALVE UNIT",,1,1,,1,,,,,,,,,  
 25,3,,172122-73620,, "PLUG",,1,1,,1,,,,,,,,,  
 26,3,,172122-73610,, "GUIDE, SPRING",,3,3,,3,,,,,,,,,  
 27,3,,172122-73600,, "SPRING",,2,2,,2,,,,,,,,,  
 28,3,,172122-73590,, "VALVE, CHECK",,2,2,,2,,,,,,,,,  
 29,3,,172122-73580,, "PISTON",,1,1,,1,,,,,,,,,  
 30,3,,172122-73570,, "SPRING",,1,1,,1,,,,,,,,,  
 31,3,,172122-73560,, "SUB RELIEF ASSY",,2,2,,2,,,,,,,,,  
 32,3,,172122-73550,, "SEAL SET, VALVE UNIT",,1,1,,1,,,,,,,,,



Fig. **93** センカイモータ(メカブレーキ)  
 TURNING MOTOR (MECHA, BRAKE)  
 (オプション)  
 (OPTIONAL)

SPEC. CODE  
 D72124-73320



1,1,,172124-73410,, "MOTOR ASSY(MECHA.B)" , ,2,2,,2,1,,,,,,,,,  
2,2,,172124-70010,, BEARING, ,2,2,,2,,,,,,,,,  
3,2,,172124-70020,, PIN, ,2,2,,2,,,,,,,,,  
4,2,,172124-70030,, BALL, ,198,198,,198,,,,,,,,,  
5,2,,172122-73430,, PLUG, ,2,2,,2,,,,,,,,,  
6,2,,172124-70050,, "RING NUT" , ,2,2,,2,,,,,,,,,  
7,2,,172124-70060,, HOLDER, ,2,2,,2,,,,,,,,,  
8,2,,172124-70070,, "PLANETRY GEAR(A)" , ,6,6,,6,,,,,,,,,  
9,2,,172124-70080,, SHAFT(A) , ,6,6,,6,,,,,,,,,  
10,2,,172124-70090,, "GAUGE & ROLLER" , ,6,6,,6,,,,,,,,,  
11,2,,172124-70100,, "SPRING PIN" , ,6,6,,6,,,,,,,,,  
12,2,,172124-70110,, "GEAR, DRIVE" , ,2,2,,2,,,,,,,,,  
13,2,,172124-70120,, BALL, ,2,2,,2,,,,,,,,,  
14,2,,172124-70130,, COLLAR, ,2,2,,2,,,,,,,,,  
15,2,,172124-70140,, "PLANETRY GEAR(B)" , ,6,6,,6,,,,,,,,,  
16,2,,172124-70150,, COLLAR, ,6,6,,6,,,,,,,,,  
17,2,,172124-70160,, SHAFT(B) , ,6,6,,6,,,,,,,,,  
18,2,,172124-70170,, "GAUGE & ROLLER" , ,12,12,,12,,,,,,,,,  
19,2,,172124-70180,, COLLAR, ,12,12,,12,,,,,,,,,  
20,2,,172124-70190,, GEAR, ,2,2,,2,,,,,,,,,  
21,2,,172124-70200,, "SPRING PIN" , ,6,6,,6,,,,,,,,,  
22,2,,172124-70210,, COLLAR, ,2,2,,2,2,,,,,,,,,  
23,2,,172124-70220,, COLLAR, ,2,2,,2,2,,,,,,,,,  
24,2,,172124-70230,, COLLAR, ,2,2,,2,2,,,,,,,,,  
25,2,,172124-70240,, "SNAP RING" , ,2,2,,2,,,,,,,,,  
26,2,,172124-70250,, COVER, ,2,2,,2,,,,,,,,,  
27,2,,172124-70260,, CABLE, ,2,2,,2,,,,,,,,,  
28,2,,172124-70270,, COLLAR, ,2,2,,2,,,,,,,,,  
29,2,,172124-70280,, COLLAR, ,6,6,,6,,,,,,,,,  
30,2,,172124-70290,, "SNAP RING" , ,2,2,,2,,,,,,,,,  
31,2,,172124-70300,, PLATE, ,2,2,,2,,,,,,,,,  
33,2,,172122-70370,, "PLATE, RETAINER" , ,2,2,,2,,,,,,,,,  
34,2,,172122-70360,, COLLAER, ,2,2,,2,,,,,,,,,  
36,2,,172123-70030,, "PLATE, VALVE" , ,2,2,,2,,,,,,,,,  
37,2,,172122-70340,, PIN, ,6,6,,6,,,,,,,,,  
38,2,,172122-70300,, COLLAR, ,2,2,,2,,,,,,,,,  
39,2,,172122-70320,, COLLAR, ,2,2,,2,,,,,,,,,  
40,2,,172122-70310,, SPRING, ,2,2,,2,,,,,,,,,  
41,2,,172122-70250,, SHAFT, ,2,2,,2,,,,,,,,,  
42,2,,172122-70260,, BEARING, ,2,2,,2,,,,,,,,,  
43,2,,172122-70400,, BEARING, ,2,2,,2,,,,,,,,,  
44,2,,172123-70020,, BALL, ,4,4,,4,,,,,,,,,  
45,2,,172122-70350,, BALL, ,2,2,,2,,,,,,,,,  
46,2,,172122-70330,, "SNAP RING" , ,2,2,,2,,,,,,,,,  
47,2,,172124-70310,, PLUNGER, ,2,2,,2,,,,,,,,,  
48,2,,172122-70520,, PLUG, ,4,4,,4,,,,,,,,,  
48-1,2,,172122-70430,, "VALVE, CHECK" , ,4,4,,4,S,,,,,M00503,,M00503,,,,,M00503  
49,2,,172122-70440,, SPRING, ,4,4,,4,,,,,,,,,  
50,2,,172124-70320,, PLUG, ,4,4,,4,,,,,,,,,  
51,2,,172124-70330,, "SPRING SEAT" , ,4,4,,4,,,,,,,,,  
52,2,,172122-70470,, SPRING, ,4,4,,4,,,,,,,,,  
53,2,,172124-70350,, "PUSH ROD" , ,4,4,,4,,,,,,,,,  
54,2,,172124-70360,, FLANGE, ,4,4,,4,,,,,,,,,  
55,2,,172124-70370,, BOLT, ,16,16,,16,,,,,,,,,  
56,2,,172124-70380,, ORIFICE, ,4,4,,4,,,,,,,,,  
57,2,,172122-70530,, PIN, ,2,2,,2,,,,,,,,,  
58,2,,172124-70460,, VALVE, ,2,2,,2,,,,,,,,,  
59,2,,172124-70470,, "SPRING SEAT" , ,4,4,,4,,,,,,,,,  
60,2,,172124-70480,, SPRING, ,4,4,,4,,,,,,,,,  
61,2,,172124-70490,, PLUG, ,4,4,,4,,,,,,,,,  
62,2,,172124-70390,, "BOLT, SOCKET" , ,16,16,,16,,,,,,,,,  
63,2,,172122-70410,, PIN, ,4,4,,4,,,,,,,,,  
64,2,,172124-70400,, PLUG, ,4,4,,4,,,,,,,,,

64-1,2,,172122-73430,,PLUG,,4,4,,,4,R,,,,,\*1986.03,,\*1986.03,,,,,\*1986.03  
65,2,,172124-70570,,VALVE,,2,2,,,2,,,,,,,,,  
66,3,,172123-70090,,VALVE,,4,4,,,4,,,,,,,,,  
66-1,3,,172123-70091,,VALVE,,4,4,,,4,N,,,,,M00503,,M00503,,,,,M00503  
67,3,,172124-70410,, "BODY, VALVE" ,2,2,,,2,,,,,,,,,  
68,3,,172123-70010,,PLATE,,4,4,,,4,,,,,,,,,  
68-1,3,,172123-70101,,SPRING,,4,4,,,4,S,,,,,M00503,,M00503,,,,,M00503  
69,3,,172124-70420,,PLUG,,4,4,,,4,,,,,,,,,  
70,3,,172123-70121,,PLUG,,2,2,,,2,,,,,,,,,  
71,2,,172122-70540,, "BOLT, SOCKET" ,6,6,,,6,,,,,,,,,  
71-1,2,,172124-70600,, "BOLT, SOCKET" ,6,6,,,6,S,,,,,M00503,,M00503,,,,,M00503  
72,2,,172124-70500,,DISK,,2,2,,,2,,,,,,,,,  
73,2,,172124-70510,, "PISTON, BRAKE" ,2,2,,,2,,,,,,,,,  
74,2,,172124-70520,,SPRING,,16,16,,,16,,,,,,,,,  
75,2,,172124-70530,,PIN,,4,4,,,4,,,,,,,,,  
76,2,,172124-70540,, "PLATE, FRICTION" ,2,2,,,2,,,,,,,,,  
77,2,,172124-70550,,PIN,,4,4,,,4,,,,,,,,,  
78,2,,172124-70560,, "SEAL SET, DRIV.MOTOR" ,2,2,,,2,,,,,,,,,  
79,2,,172123-70130,, "PISTON S/A" ,4,4,,,4,W,,,,,\*1988.08,,\*1988.08,,,,,\*1988.08

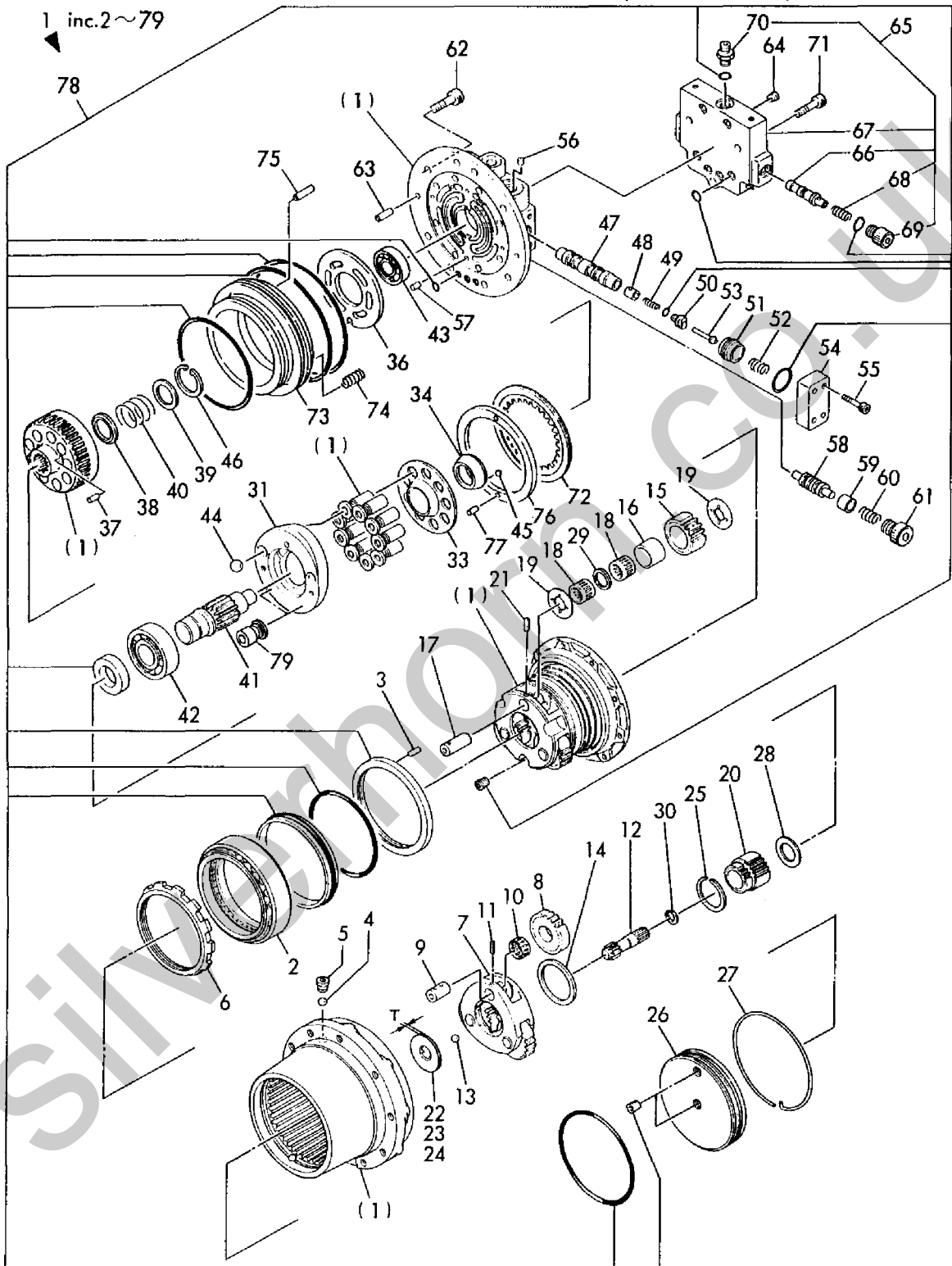




Fig. **94** ソウコウモータ(メカブレーキ)  
TRAVEL MOTOR (MECHA, BRAKE)

SPEC. CODE  
D72124-73330

(オプション)  
(OPTIONAL)



1,1,,772124-76100,, "VALVE ASSY, THIRD",,,1,,1,,1,,,,,,,,,  
1-1,1,,772124-76101,, "VALVE ASSY, THIRD",,,1,,1,S,1,,,,,,,,,M00704,,,,,,M00632  
2,2,,172122-12100,, "LEVER ASSY, ACCEL",,,1,,1,,,,,,,,,  
2-1,2,,172122-12140,, "LEVER ASSY,3RD  
VALVE",,,1,,1,N,,,,,,,,,\*1986.03,,,,,,\*1986,03"  
3,3,,933171-23680,, "BUSH 14X15",,,2,,2,,,,,,,,,  
4,2,,172122-41380,, "SHAFT, FULCRUM",,,1,,1,,,,,,,,,  
4-1,2,,172112-41380,, "SHAFT, BLADE LEVER",,,1,,1,N,,,,,,,,,M00501,,,,,,M00501  
5,2,,172122-45670,, "BRACKET (B), LINK",,,1,,1,,,,,,,,,  
6,2,,172116-45940,, "KNOB (C), LEVER",,,1,,1,,,,,,,,,  
7,2,,172124-46100,, "MOUNT, 3RD VALVE",,,1,,1,,,,,,,,,  
8,2,,172124-46120,, "LINK, SPOOL",,,1,,1,,,,,,,,,  
9,2,,172124-46130,, "CABLE, PUSH-PULL",,,1,,1,,,,,,,,,  
10,2,,172122-47300,, "BRACKET, LEVER",,,1,,1,,,,,,,,,  
11,2,,22417-160160,, "COTTER PIN 1.6X16",,,1,,1,,,,,,,,,  
12,2,,22417-400400,, "COTTER PIN 4.0X40",,,1,,1,,,,,,,,,  
13,2,,26013-100202,, "BOLT W/WASHER M10X20",,,2,,2,,,,,,,,,  
14,2,,26013-100202,, "BOLT W/WASHER M10X20",,,2,,2,,,,,,,,,  
15,2,,26013-100202,, "BOLT W/WASHER M10X20",,,4,,4,,,,,,,,,  
16,2,,26756-050002,, "LOCK NUT M 5 PLATED",,,1,,1,,,,,,,,,  
17,2,,933110-54100,, "PIN 4.75X14",,,1,,1,,,,,,,,,  
18,2,,22217-100000,, "SPRING WASHER 10",,,2,,2,,,,,,,,,  
19,2,,26116-100602,, "BOLT M10X 60 PLATED",,,2,,2,,,,,,,,,  
20,2,,172124-76920,, "PIPE(A), THIRD",,,1,,1,,,,,,,,,  
20-1,2,,172124-76921,, "PIPE (A), THIRD",,,1,,1,S,,,,,,,,,M00704,,,,,,M00632  
21,2,,172125-76940,, "PIPE(B), THIRD",,,1,,1,,,,,,,,,  
21-1,2,,172125-76941,, "PIPE (B), THIRD",,,1,,1,S,,,,,,,,,M00704,,,,,,M00632  
22,2,,172125-76960,, "PIPE(C), THIRD",,,1,,1,,,,,,,,,  
23,2,,172125-76980,, "PIPE(D), THIRD",,,1,,1,,,,,,,,,  
24,2,,172112-77260,, "CONNECTOR PF1/2L-42",,,1,,1,,,,,,,,,  
25,2,,172124-78500,, "PIPE P208AB048",,,1,,1,,,,,,,,,  
25-1,2,,172125-78500,, "PIPE P208AB041",,,1,,1,R,,,,,,,,,M00501,,,,,,M00501  
26,2,,172124-78510,, "PIPE P208BC046",,,1,,1,,,,,,,,,  
26-1,2,,172125-78510,, "PIPE P208BC054",,,1,,1,R,,,,,,,,,M00501,,,,,,M00501  
27,2,,26013-100402,, "BOLT M10X 40",,,1,,1,,,,,,,,,  
28,2,,933152-24120,, "O-RING (B)",,,2,,2,,,,,,,,,  
29,2,,933152-24130,, "RING (B), BUCK UP",,,1,,1,,,,,,,,,  
30,2,,933152-24140,, "NUT (B), CONNECTOR",,,1,,1,,,,,,,,,  
31,2,,933155-09670,, "CLAMP, PIPE",,,1,,1,,,,,,,,,  
32,2,,933166-24120,, "CONNECTOR PF1/2-10",,,1,,1,,,,,,,,,  
33,2,,933166-25350,, "ELBOW 1/2 (90°)",,,2,,2,,,,,,,,,  
34,2,,933166-25420,, ADAPTER,,2,,2,,,,,,,,,  
35,2,,172125-76900,, CLAMP,,4,,4,,,,,,,,,  
36,2,,172125-76910,, "SPACER, CLAMP",,,4,,4,,,,,,,,,  
37,2,,172125-78530,, "PIPE, RETURN",,,1,,1,,,,,,,,,  
37-1,2,,172125-78531,, "PIPE, RETURN",,,1,,1,S,,,,,,,,,M00704,,,,,,M00632  
38,2,,22217-120000,, "WASHER 12,SPRING",,,4,,4,,,,,,,,,  
39,2,,23871-040000,, "PLUG PT1/2,SCREW",,,1,,1,,,,,,,,,  
40,2,,23871-100000,, "PLUG PT1",,,1,,1,,,,,,,,,  
41,2,,26116-120652,, "BOLT M12X 65 PLATED",,,4,,4,,,,,,,,,  
42,2,,172125-76800,, "STAY, PIPE",,,1,,1,,,,,,,,,  
42-1,2,,172125-76801,, "STAY, PIPE",,,1,,1,S,,,,,,,,,M00704,,,,,,M00632  
43,2,,23391-100000,, JOINT,,1,,1,,,,,,,,,  
44,2,,172124-78160,, "PIPE P208BC120S",,,1,,1,,,,,,,,,  
45,2,,172124-78170,, "PIPE P208BC113S",,,1,,1,,,,,,,,,  
46,2,,172125-78570,, "HOSE G208AB200",,,1,,1,,,,,,,,,  
46-1,2,,172125-78571,, "HOSE G208AB190",,,1,,1,S,,,,,,,,,M00704,,,,,,M00632  
47,2,,172125-78580,, "HOSE G216AB200",,,1,,1,,,,,,,,,  
47-1,2,,172125-78581,, "HOSE G216AB190",,,1,,1,S,,,,,,,,,M00704,,,,,,M00632  
48,2,,172112-78750,, "CLAMP (B), HOSE",,,3,,3,,,,,,,,,  
49,2,,23251-100805,, "HOSE 10X800,MID-PRES",,,1,,1,,,,,,,,,  
50,2,,933171-25102,, "CLAMP, HOSE",,,1,,1,,,,,,,,,  
51,2,,172125-81110,, STAY,,4,,4,,,,,,,,,

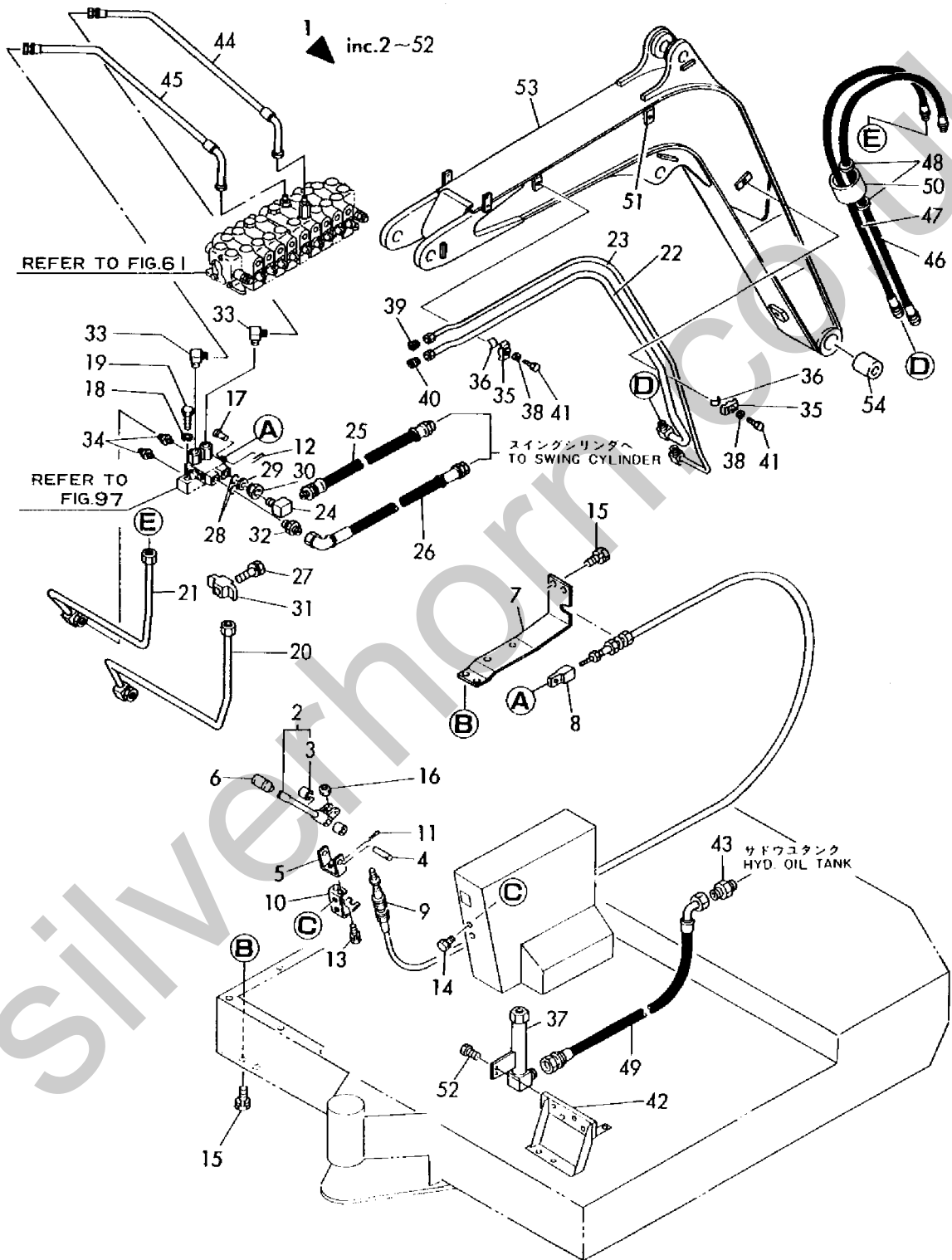
52,2,,26013-100202,, "BOLT W/WASHER M10X20" ,,,2,,2,.....  
53,1,,172125-81100,, "BOOM ASSY" ,,,1,,1,.....  
54,2,,172112-81701,, "BUSH 50X80,BOOM" ,,,2,,2,.....

Silverhorn.CO.UK

Fig. 95 P.T.O. バルブハイカン(オプション)  
P.T.O. VALVE PIPING (OPTIONAL)

SPEC. CODE  
D72124-46100  
D72124-74700  
D72125-76110  
D72125-76421  
D72125-78121  
D72125-81120

COUNTRY	J	P	N	S	W	G	F	A	D	M	N	L
Fig. No.	95	—	54	54	54	54	54	54	54	54	54	54



1,1,,772132-46100,,"VALVE ASSY, THIRD",,,1,,1,,1,.....  
2,2,,172122-12140,,"LEVER ASSY,3RD VALVE",,,1,,1,.....  
3,3,,933171-23680,,"BUSH 14X15",,,2,,2,.....  
4,2,,172112-12530,,"JOINT, CABLE",,,1,,1,.....  
5,2,,172112-41380,,"SHAFT, BLADE LEVER",,,1,,1,.....  
6,2,,172137-45641,,"ROD ASSY, SPOOL",,,1,,1,.....  
7,2,,172122-45670,,"BRACKET (B), LINK",,,1,,1,.....  
8,2,,172116-45940,,"KNOB (C), LEVER",,,1,,1,.....  
9,2,,172132-46130,,"CABLE",,,1,,1,.....  
10,2,,172132-46230,,"SHAFT, SELECTOR LINK",,,1,,1,.....  
11,2,,172132-46300,,"MOUNT, 3RD VALVE",,,1,,1,.....  
12,2,,172132-46340,,"LINK, 3RD",,,1,,1,.....  
13,3,,933171-23680,,"BUSH 14X15",,,2,,2,.....  
14,2,,172137-46410,,"JOINT, LINK",,,1,,1,.....  
15,2,,172122-47300,,"BRACKET, LEVER",,,1,,1,.....  
16,2,,1C6281-52310,,"PIN 6,COME-OFF SNAP",,,1,,1,.....  
17,2,,1C6281-52320,,"PIN 8,COME-OFF SNAP",,,2,,2,.....  
18,2,,172112-77260,,"CONNECTOR PF1/2L-42",,,2,,2,.....  
19,2,,22137-120000,,"WASHER 12,POLISHED",,,3,,3,.....  
20,2,,22417-400400,,"COTTER PIN 4.0X40",,,2,,2,.....  
21,2,,26013-100202,,"BOLT W/WASHER M10X20",,,2,,2,.....  
22,2,,26013-100202,,"BOLT W/WASHER M10X20",,,2,,2,.....  
23,2,,26013-120302,,"BOLT W/WASHER M12X30",,,3,,3,.....  
24,2,,26716-050002,,"NUT M 5",,,1,,1,.....  
25,2,,26756-100002,,"LOCK NUT M10 PLATED",,,1,,1,.....  
26,2,,933110-54100,,"PIN 4.75X14",,,1,,1,.....  
27,2,,933171-21700,,"PIN (B), SPOOL LINK",,,1,,1,.....  
28,2,,22217-100000,,"SPRING WASHER 10",,,2,,2,.....  
29,2,,26116-100602,,"BOLT M10X 60 PLATED",,,2,,2,.....  
30,2,,23391-100000,,"JOINT",,,1,,1,.....  
31,2,,933152-24120,,"O-RING (B)",,,2,,2,.....  
32,2,,933152-24130,,"RING (B), BUCK UP",,,2,,2,.....  
33,2,,933152-24140,,"NUT (B), CONNECTOR",,,2,,2,.....  
34,2,,933166-25350,,"ELBOW 1/2 (90°)",,,3,,3,.....  
35,2,,933166-25420,,"ADAPTER",,,3,,3,.....  
36,2,,172132-76580,,"MOUNT",,,1,,1,.....  
37,2,,172132-76780,,"PIPE (E), 3RD",,,1,,1,.....  
38,2,,172125-76801,,"STAY, PIPE",,,1,,1,.....  
39,2,,172132-76800,,"PIPE (A), RETURN",,,1,,1,.....  
40,2,,172132-76820,,"PIPE (B), RETURN",,,1,,1,.....  
41,2,,172132-76880,,"PIPE, 3RD",,,1,,1,.....  
42,2,,172125-76900,,"CLAMP",,,4,,4,.....  
43,2,,172125-76910,,"SPACER, CLAMP",,,4,,4,.....  
44,2,,172132-76960,,"PIPE (F), 3RD",,,1,,1,.....  
45,2,,22137-120000,,"WASHER 12,POLISHED",,,1,,1,.....  
46,2,,22217-120000,,"WASHER 12,SPRING",,,4,,4,.....  
47,2,,23871-040000,,"PLUG PT1/2,SCREW",,,1,,1,.....  
48,2,,23871-100000,,"PLUG PT1",,,2,,2,.....  
49,2,,26013-100202,,"BOLT W/WASHER M10X20",,,2,,2,.....  
50,2,,26013-100452,,"BOLT M10X 45",,,1,,1,.....  
51,2,,26013-120202,,"BOLT W/WASHER M12X20",,,1,,1,.....  
52,2,,26013-120302,,"BOLT W/WASHER M12X30",,,1,,1,.....  
53,2,,26116-120652,,"BOLT M12X 65 PLATED",,,4,,4,.....  
54,2,,172132-78110,,"BODY",,,2,,2,.....  
55,2,,172132-78120,,"COVER 1800, HOSE",,,1,,1,.....  
56,2,,172132-78220,,"HOSE",,,1,,1,.....  
57,2,,172132-78260,,"HOSE",,,1,,1,.....  
58,2,,172132-78270,,"HOSE",,,2,,2,.....  
59,2,,172132-78280,,"HOSE",,,2,,2,.....  
60,2,,172132-78290,,"HOSE",,,1,,1,.....  
61,2,,172132-78300,,"STAY",,,1,,1,.....  
62,2,,26013-100202,,"BOLT W/WASHER M10X20",,,1,,1,.....  
63,2,,26716-100002,,"NUT M10",,,1,,1,.....

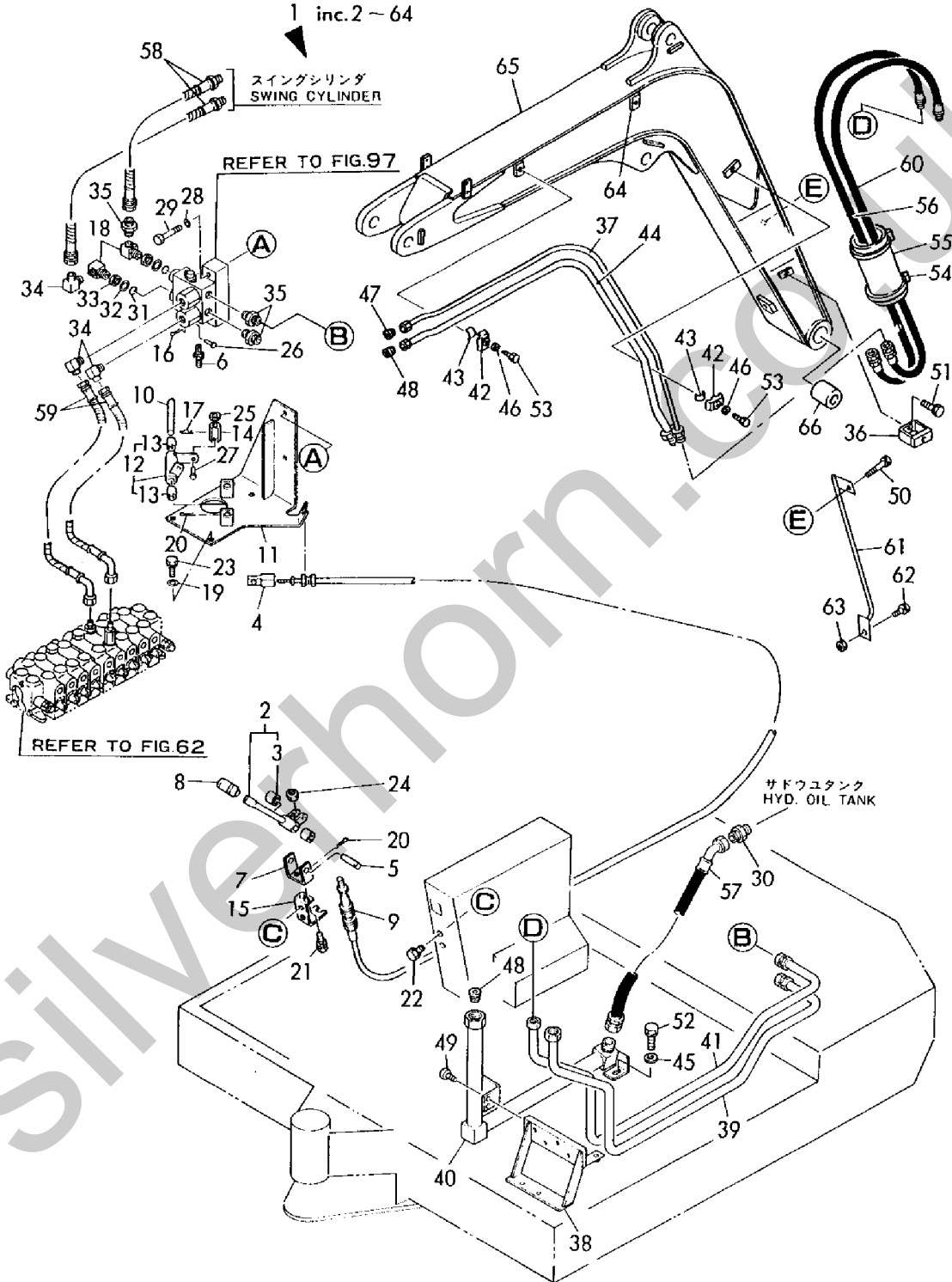
64,2,,172125-81110,,STAY,,,5,,,5,,,,,,,,,,,,,  
65,1,,172132-81100,, "BOOM ASSY, 3RD" ,,,1,,1,,,,,,,,,,,,,  
66,2,,172112-81701,, "BUSH 50X80,BOOM" ,,,2,,2,,,,,,,,,,,,,

Silverhorn.CO.UK

SPEC. CODE  
 D72132-46100  
 D72124-74700  
 D72132-76110  
 D72132-76420  
 D72132-76430  
 D72132-78120  
 D72132-81120

Fig. **96** P.T.O. バルブハイカン(U,UZ)(オプション)  
 P.T.O. VALVE PIPING(U,UZ)(OPTIONAL)

COUNTRY	J	P	N	S	W	G	F	A	D	M	N	L
Fig. No.	96	-	-	-	-	-	-	-	-	-	-	-



1,1,,172119-74100,, "VALVE, SELECTOR",,,1,,1,1,1,,,,,,,,,  
2,2,,172124-70840,, "VALVE (B), SELETOR",,,1,,1,1,,,,,,,,,  
3,3,,172123-70290,, "PLUG PT1/16",,,1,,1,1,,,,,,,,,  
4,3,,172123-70600,, O-RING,,2,,2,2,,,,,,,,,  
5,3,,172124-70720,, BODY,,1,,1,1,,,,,,,,,  
6,3,,172124-70730,, PLATE,,1,,1,1,,,,,,,,,  
7,3,,172124-70740,, CAP,,1,,1,1,,,,,,,,,  
8,3,,172124-70750,, WASHER,,1,,1,1,,,,,,,,,  
9,3,,172124-70760,, "RING, BACK-UP",,,2,,2,2,,,,,,,,,  
10,3,,172124-70770,, BALL,,1,,1,1,,,,,,,,,  
11,3,,172124-70780,, SPRING,,1,,1,1,,,,,,,,,  
12,3,,172124-70790,, NUT,,2,,2,2,,,,,,,,,  
13,3,,172124-70800,, BOLT,,2,,2,2,,,,,,,,,  
14,3,,172124-70810,, SPOOL,,1,,1,1,,,,,,,,,  
15,3,,172124-70820,, PLATE,,1,,1,1,,,,,,,,,  
16,3,,172124-70830,, BOLT,,4,,4,4,,,,,,,,,  
17,3,,933152-07400,, "O-RING (A)",,,2,,2,2,,,,,,,,,  
18,3,,22217-050000,, "SPRING WASHER 5",,,7,,7,7,,,,,,,,,  
19,3,,23871-010000,, "PLUG PT1/8, SCREW",,,2,,2,2,,,,,,,,,  
20,3,,24311-000140,, "O-RING 1A P-14.0",,,2,,2,2,,,,,,,,,  
21,3,,24315-000250,, "O-RING 1B P-25.0",,,4,,4,4,,,,,,,,,  
22,3,,26557-050122,, "SCREW M 5X 12",,,3,,3,3,,,,,,,,,  
23,2,,172124-70850,, SUB-PLATE,,1,,1,1,,,,,,,,,

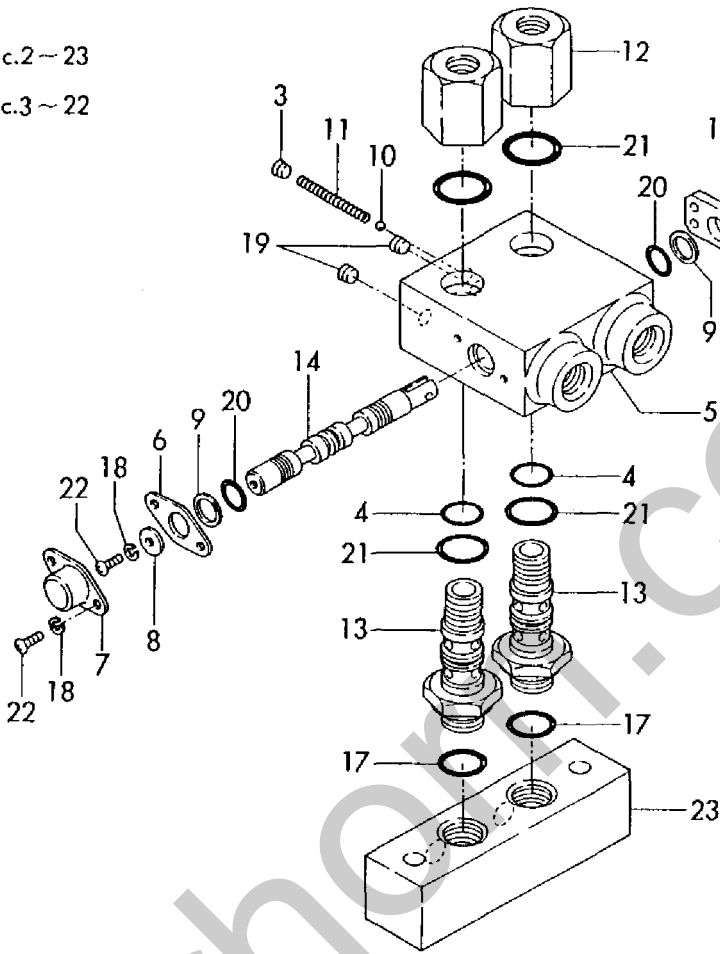
Silverhorn.CO.UK



Fig. 97 P.T.O.バルブ(オプション)  
P.T.O. VALVE(OPTIONAL)

SPEC. CODE  
D72124-74700

- 1 inc.2~23
- 2 inc.3~22

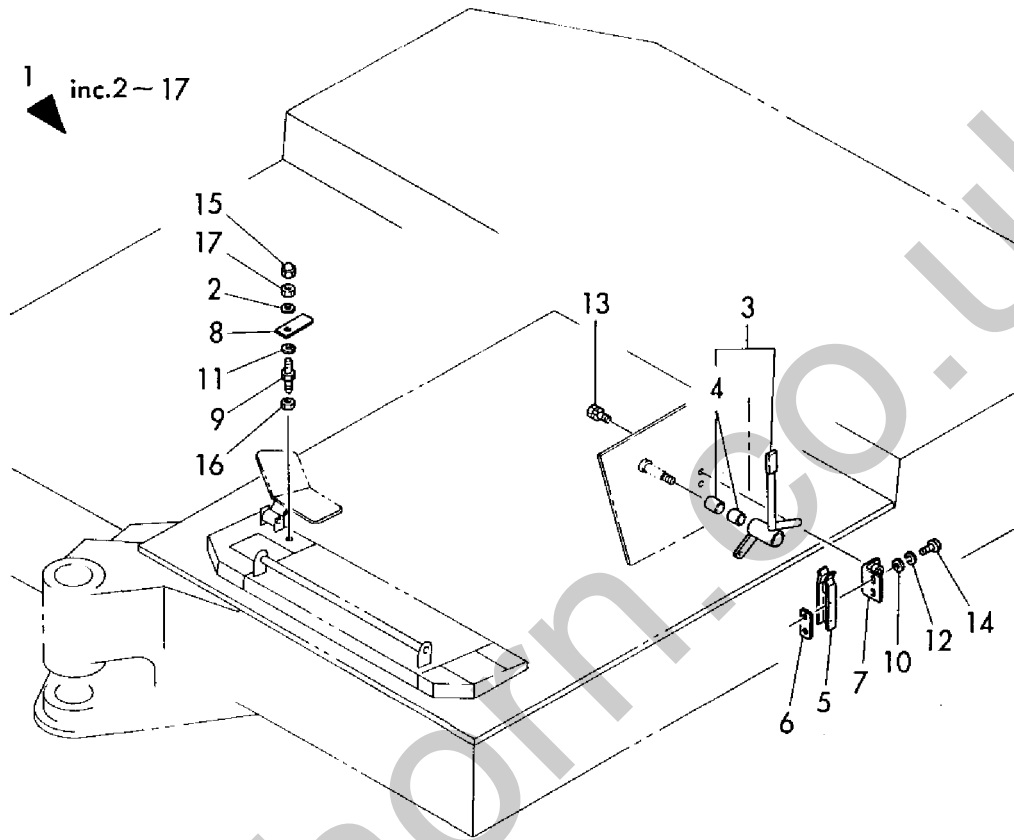


1,1,,772125-46200,,,"STOPPER AS.,3RD VLV.",,,1,,1,,,,,,,,,,,,,  
2,2,,194740-00160,,,"WASHER 10, CONICAL",,,1,,1,,,,,,,,,,,,,  
3,2,,172124-12200,,,"ACSEL",,,1,,1,,,,,,,,,,,,,  
4,3,,933171-23680,,,"BUSH 14X15",,,2,,2,,,,,,,,,,,,,  
5,2,,172138-12250,,,"STOPPER, ACCELERATOR",,,1,,1,,,,,,,,,,,,,  
6,2,,172138-12260,,,"PLATE",,,1,,1,,,,,,,,,,,,,  
7,2,,172122-12520,,,"PIVOT,ACCELERATOR",,,1,,1,,,,,,,,,,,,,  
8,2,,172137-46800,,,"PLATE, LOCK",,,1,,1,,,,,,,,,,,,,  
9,2,,172122-47800,,,"BOLT STOPER",,,1,,1,,,,,,,,,,,,,  
10,2,,22137-060000,,,"WASHER 6, POLISHED",,,2,,2,,,,,,,,,,,,,  
11,2,,22137-100000,,,"WASHER 10,POLISHED",,,1,,1,,,,,,,,,,,,,  
12,2,,22217-060000,,,"SPRING WASHER 6",,,2,,2,,,,,,,,,,,,,  
13,2,,26013-080162,,,"BOLT W/WASHER M8X16",,,2,,2,,,,,,,,,,,,,  
14,2,,26557-060162,,,"SCREW M 6X 16",,,2,,2,,,,,,,,,,,,,  
15,2,,26657-100002,,,"CAP NUT M10",,,1,,1,,,,,,,,,,,,,  
16,2,,26716-100002,,,"NUT M10",,,1,,1,,,,,,,,,,,,,  
17,2,,26756-100002,,,"LOCK NUT M10 PLATED",,,1,,1,,,,,,,,,,,,,

Silverhorn.CO.UK

Fig. **98** バルブストッパ(オプション)  
VALVE STOPPER (OPTIONAL)

SPEC. CODE  
D72125-46200





0,Y00K2094  
1,001,, "VEHICLE YB451/YB501(-2)"  
2,1,, "LABEL(CANOPY SPEC.)", "YB451 CANOPY", "YB451 CABIN", "YB451 OPTION", "YB501 CANOPY", "YB501 CABIN", "YB501 OPTION"  
2,2,, "LABEL(CABIN SPEC.)", "YB451 CANOPY", "YB451 CABIN", "YB451 OPTION", "YB501 CANOPY", "YB501 CABIN", "YB501 OPTION"  
2,3,, "LABEL(CABIN SPEC.)", "YB451 CANOPY", "YB451 CABIN", "YB451 OPTION", "YB501 CANOPY", "YB501 CABIN", "YB501 OPTION"  
2,4,, "LABEL(CABIN SPEC.)", "YB451 CANOPY", "YB451 CABIN", "YB451 OPTION", "YB501 CANOPY", "YB501 CABIN", "YB501 OPTION"  
2,5,, "LABEL(CABIN SPEC.)", "YB451 CANOPY", "YB451 CABIN", "YB451 OPTION", "YB501 CANOPY", "YB501 CABIN", "YB501 OPTION"  
2,6,, TOOL, "YB451 CANOPY", "YB451 CABIN", "YB451 OPTION", "YB501 CANOPY", "YB501 CABIN", "YB501 OPTION"  
2,7,, "REAR VIEW MIRROR", "YB451 CANOPY", "YB451 CABIN", "YB451 OPTION", "YB501 CANOPY", "YB501 CABIN", "YB501 OPTION"  
2,8,, SILENCER, "YB451 CANOPY", "YB451 CABIN", "YB451 OPTION", "YB501 CANOPY", "YB501 CABIN", "YB501 OPTION"  
2,9,, ACCELERATOR, "YB451 CANOPY", "YB451 CABIN", "YB451 OPTION", "YB501 CANOPY", "YB501 CABIN", "YB501 OPTION"  
2,10,, "ENGINE MOUNT & RADIATOR", "YB451 CANOPY", "YB451 CABIN", "YB451 OPTION", "YB501 CANOPY", "YB501 CABIN", "YB501 OPTION"  
2,11,, "FUEL TANK & FUEL LINE", "YB451 CANOPY", "YB451 CABIN", "YB451 OPTION", "YB501 CANOPY", "YB501 CABIN", "YB501 OPTION"  
2,12,, "FUEL TANK & FUEL LINE", "YB451 CANOPY", "YB451 CABIN", "YB451 OPTION", "YB501 CANOPY", "YB501 CABIN", "YB501 OPTION"  
2,13,, BATTERY, "YB451 CANOPY", "YB451 CABIN", "YB451 OPTION", "YB501 CANOPY", "YB501 CABIN", "YB501 OPTION"  
2,14,, "ELECTRIC PART (CANOPY SPEC.)", "YB451 CANOPY", "YB451 CABIN", "YB451 OPTION", "YB501 CANOPY", "YB501 CABIN", "YB501 OPTION"  
2,15,, "ELECTRIC PART (CABIN SPEC.)", "YB451 CANOPY", "YB451 CABIN", "YB451 OPTION", "YB501 CANOPY", "YB501 CABIN", "YB501 OPTION"  
2,16,, "ELECTRIC PARTS(CABIN SPEC.)", "YB451 CANOPY", "YB451 CABIN", "YB451 OPTION", "YB501 CANOPY", "YB501 CABIN", "YB501 OPTION"  
2,17,, "HEATER & DEFROSTER", "YB451 CANOPY", "YB451 CABIN", "YB451 OPTION", "YB501 CANOPY", "YB501 CABIN", "YB501 OPTION"  
2,18,, RADIO(EC), "YB451 CANOPY", "YB451 CABIN", "YB451 OPTION", "YB501 CANOPY", "YB501 CABIN", "YB501 OPTION"  
2,19,, "TRACK ROLLER & CARRIER ROLLER", "YB451 CANOPY", "YB451 CABIN", "YB451 OPTION", "YB501 CANOPY", "YB501 CABIN", "YB501 OPTION"  
2,20,, "TRACK ROLLER & CARRIER ROLLER", "YB451 CANOPY", "YB451 CABIN", "YB451 OPTION", "YB501 CANOPY", "YB501 CABIN", "YB501 OPTION"  
2,21,, "TRACK FRAME & IDLER", "YB451 CANOPY", "YB451 CABIN", "YB451 OPTION", "YB501 CANOPY", "YB501 CABIN", "YB501 OPTION"  
2,22,, "TRACK FRAME & IDLER", "YB451 CANOPY", "YB451 CABIN", "YB451 OPTION", "YB501 CANOPY", "YB501 CABIN", "YB501 OPTION"  
2,23,, CRAWLER, "YB451 CANOPY", "YB451 CABIN", "YB451 OPTION", "YB501 CANOPY", "YB501 CABIN", "YB501 OPTION"  
2,24,, "CONTROL EQUIP(LEVER)(PREVIOUS)", "YB451 CANOPY", "YB451 CABIN", "YB451 OPTION", "YB501 CANOPY", "YB501 CABIN", "YB501 OPTION"  
2,25,, "CONTROL EQUIP(LEVER)(NEW TYPE)", "YB451 CANOPY", "YB451 CABIN", "YB451 OPTION", "YB501 CANOPY", "YB501 CABIN", "YB501 OPTION"  
2,26,, "CONTROL EQUIP(LINK)(PREVIOUS)", "YB451 CANOPY", "YB451 CABIN", "YB451 OPTION", "YB501 CANOPY", "YB501 CABIN", "YB501 OPTION"  
2,27,, "CONTROL EQUIP(LINK)(NEW TYPE)", "YB451 CANOPY", "YB451 CABIN", "YB451 OPTION", "YB501 CANOPY", "YB501 CABIN", "YB501 OPTION"  
2,28,, "CONTROL EQUIP(ROD)(PREVIOUS)", "YB451 CANOPY", "YB451 CABIN", "YB451 OPTION", "YB501 CANOPY", "YB501 CABIN", "YB501 OPTION"  
2,29,, "CONTROL EQUIP(ROD)(NEW TYPE)", "YB451 CANOPY", "YB451 CABIN", "YB451 OPTION", "YB501 CANOPY", "YB501 CABIN", "YB501 OPTION"  
2,30,, "TURNING FRAME", "YB451 CANOPY", "YB451 CABIN", "YB451 OPTION", "YB501 CANOPY", "YB501 CABIN", "YB501 OPTION"

2,31,, "TURNING FRAME(U,UZ)", "YB451 CANOPY", "YB451 CABIN", "YB451 OPTION", "YB501 CANOPY", "YB501 CABIN", "YB501 OPTION"  
2,32,, "TURNING FRAME", "YB451 CANOPY", "YB451 CABIN", "YB451 OPTION", "YB501 CANOPY", "YB501 CABIN", "YB501 OPTION"  
2,33,, "TURNING DRIVING GEARS", "YB451 CANOPY", "YB451 CABIN", "YB451 OPTION", "YB501 CANOPY", "YB501 CABIN", "YB501 OPTION"  
2,34,, "BONNET(CANOPY SPEC.)", "YB451 CANOPY", "YB451 CABIN", "YB451 OPTION", "YB501 CANOPY", "YB501 CABIN", "YB501 OPTION"  
2,35,, "BONNET(CABIN SPEC.)", "YB451 CANOPY", "YB451 CABIN", "YB451 OPTION", "YB501 CANOPY", "YB501 CABIN", "YB501 OPTION"  
2,36,, "BONNET(CABIN SPEC.)", "YB451 CANOPY", "YB451 CABIN", "YB451 OPTION", "YB501 CANOPY", "YB501 CABIN", "YB501 OPTION"  
2,37,, "SEAT & STEP(CANOPY SPEC.)", "YB451 CANOPY", "YB451 CABIN", "YB451 OPTION", "YB501 CANOPY", "YB501 CABIN", "YB501 OPTION"  
2,38,, "SEAT & STEP(CABIN SPEC.)", "YB451 CANOPY", "YB451 CABIN", "YB451 OPTION", "YB501 CANOPY", "YB501 CABIN", "YB501 OPTION"  
2,39,, "SEAT MOUNT & STEP(CABIN SPEC.)", "YB451 CANOPY", "YB451 CABIN", "YB451 OPTION", "YB501 CANOPY", "YB501 CABIN", "YB501 OPTION"  
2,40,, "CANOPY(PREVIOUS)", "YB451 CANOPY", "YB451 CABIN", "YB451 OPTION", "YB501 CANOPY", "YB501 CABIN", "YB501 OPTION"  
2,41,, "CANOPY(NEW TYPE)", "YB451 CANOPY", "YB451 CABIN", "YB451 OPTION", "YB501 CANOPY", "YB501 CABIN", "YB501 OPTION"  
2,42,, "CANOPY(UZ)(PREVIOUS)", "YB451 CANOPY", "YB451 CABIN", "YB451 OPTION", "YB501 CANOPY", "YB501 CABIN", "YB501 OPTION"  
2,43,, "CANOPY(UZ)(NEW TYPE)", "YB451 CANOPY", "YB451 CABIN", "YB451 OPTION", "YB501 CANOPY", "YB501 CABIN", "YB501 OPTION"  
2,44,, "CABIN", "YB451 CANOPY", "YB451 CABIN", "YB451 OPTION", "YB501 CANOPY", "YB501 CABIN", "YB501 OPTION"  
2,45,, "FRONT OPEN CABIN(PREVIOUS)", "YB451 CANOPY", "YB451 CABIN", "YB451 OPTION", "YB501 CANOPY", "YB501 CABIN", "YB501 OPTION"  
2,46,, "FLAT CABIN(NEW TYPE)", "YB451 CANOPY", "YB451 CABIN", "YB451 OPTION", "YB501 CANOPY", "YB501 CABIN", "YB501 OPTION"  
2,47,, "CABIN", "YB451 CANOPY", "YB451 CABIN", "YB451 OPTION", "YB501 CANOPY", "YB501 CABIN", "YB501 OPTION"  
2,48,, "HYD. OIL PUMP & JOINT", "YB451 CANOPY", "YB451 CABIN", "YB451 OPTION", "YB501 CANOPY", "YB501 CABIN", "YB501 OPTION"  
2,49,, "GREASING", "YB451 CANOPY", "YB451 CABIN", "YB451 OPTION", "YB501 CANOPY", "YB501 CABIN", "YB501 OPTION"  
2,50,, "HYD. OIL PIPING(V-SWIVEL-MOTOR)", "YB451 CANOPY", "YB451 CABIN", "YB451 OPTION", "YB501 CANOPY", "YB501 CABIN", "YB501 OPTION"  
2,51,, "HYD. OIL PIPING(TANK-VALVE)", "YB451 CANOPY", "YB451 CABIN", "YB451 OPTION", "YB501 CANOPY", "YB501 CABIN", "YB501 OPTION"  
2,52,, "HYD. OIL PIPING(TRAVEL)", "YB451 CANOPY", "YB451 CABIN", "YB451 OPTION", "YB501 CANOPY", "YB501 CABIN", "YB501 OPTION"  
2,53,, "HYD. OIL PIPING(WORK EQUIPMNT)", "YB451 CANOPY", "YB451 CABIN", "YB451 OPTION", "YB501 CANOPY", "YB501 CABIN", "YB501 OPTION"  
2,54,, "P.T.O. VALVE PIPING", "YB451 CANOPY", "YB451 CABIN", "YB451 OPTION", "YB501 CANOPY", "YB501 CABIN", "YB501 OPTION"  
2,55,, "HYD.OIL TANK", "YB451 CANOPY", "YB451 CABIN", "YB451 OPTION", "YB501 CANOPY", "YB501 CABIN", "YB501 OPTION"  
2,56,, "HYD. OIL TANK", "YB451 CANOPY", "YB451 CABIN", "YB451 OPTION", "YB501 CANOPY", "YB501 CABIN", "YB501 OPTION"  
2,57,, "BOOM & BUCKET", "YB451 CANOPY", "YB451 CABIN", "YB451 OPTION", "YB501 CANOPY", "YB501 CABIN", "YB501 OPTION"  
2,58,, "BOOM & ARM", "YB451 CANOPY", "YB451 CABIN", "YB451 OPTION", "YB501 CANOPY", "YB501 CABIN", "YB501 OPTION"  
2,59,, "BLADE", "YB451 CANOPY", "YB451 CABIN", "YB451 OPTION", "YB501 CANOPY", "YB501 CABIN", "YB501 OPTION"  
2,60,, "CONTROL VALVE(BLADE)", "YB451 CANOPY", "YB451 CABIN", "YB451 OPTION", "YB501 CANOPY", "YB501 CABIN", "YB501 OPTION"  
2,61,, "CONTROL VALVE(MAIN)", "YB451 CANOPY", "YB451 CABIN", "YB451 OPTION", "YB501 CANOPY", "YB501 CABIN", "YB501 OPTION"

2,62,, "CONTROL VALVE(MAIN)(U,UZ)", "YB451 CANOPY", "YB451 CABIN", "YB451  
OPTION", "YB501 CANOPY", "YB501 CABIN", "YB501 OPTION"  
2,63,, "BOOM CYLINDER", "YB451 CANOPY", "YB451 CABIN", "YB451 OPTION", "YB501  
CANOPY", "YB501 CABIN", "YB501 OPTION"  
2,64,, "BOOM CYLINDER(U)(JAPAN SPEC.)", "YB451 CANOPY", "YB451 CABIN", "YB451  
OPTION", "YB501 CANOPY", "YB501 CABIN", "YB501 OPTION"  
2,65,, "BOOM CYLINDER(UZ)(JAPAN SPEC.)", "YB451 CANOPY", "YB451 CABIN", "YB451  
OPTION", "YB501 CANOPY", "YB501 CABIN", "YB501 OPTION"  
2,66,, "ARM CYLINDER", "YB451 CANOPY", "YB451 CABIN", "YB451 OPTION", "YB501  
CANOPY", "YB501 CABIN", "YB501 OPTION"  
2,67,, "BUCKET CYLINDER", "YB451 CANOPY", "YB451 CABIN", "YB451 OPTION", "YB501  
CANOPY", "YB501 CABIN", "YB501 OPTION"  
2,68,, "SWING CYLINDER", "YB451 CANOPY", "YB451 CABIN", "YB451 OPTION", "YB501  
CANOPY", "YB501 CABIN", "YB501 OPTION"  
2,69,, "SWING CYLINDER(U,UZ)(JAPAN SPE", "YB451 CANOPY", "YB451 CABIN", "YB451  
OPTION", "YB501 CANOPY", "YB501 CABIN", "YB501 OPTION"  
2,70,, "BLADE CYLINDER", "YB451 CANOPY", "YB451 CABIN", "YB451 OPTION", "YB501  
CANOPY", "YB501 CABIN", "YB501 OPTION"  
2,71,, "TURNING MOTOR", "YB451 CANOPY", "YB451 CABIN", "YB451 OPTION", "YB501  
CANOPY", "YB501 CABIN", "YB501 OPTION"  
2,72,, "TRAVEL MOTOR", "YB451 CANOPY", "YB451 CABIN", "YB451 OPTION", "YB501  
CANOPY", "YB501 CABIN", "YB501 OPTION"  
2,73,, "SWIVEL JOINT", "YB451 CANOPY", "YB451 CABIN", "YB451 OPTION", "YB501  
CANOPY", "YB501 CABIN", "YB501 OPTION"  
2,74,, "BUCKET400(ATTACHMENT)", "YB451 CANOPY", "YB451 CABIN", "YB451 OPTION", "YB501  
CANOPY", "YB501 CABIN", "YB501 OPTION"  
2,75,, "BUCKET550(ATTACHMENT)", "YB451 CANOPY", "YB451 CABIN", "YB451 OPTION", "YB501  
CANOPY", "YB501 CABIN", "YB501 OPTION"  
2,76,, "BUCKET600(ATTACHMENT)", "YB451 CANOPY", "YB451 CABIN", "YB451 OPTION", "YB501  
CANOPY", "YB501 CABIN", "YB501 OPTION"  
2,77,, "BUCKET650(ATTACHMENT)", "YB451 CANOPY", "YB451 CABIN", "YB451 OPTION", "YB501  
CANOPY", "YB501 CABIN", "YB501 OPTION"  
2,78,, "BUCKET700(ATTACHMENT)", "YB451 CANOPY", "YB451 CABIN", "YB451 OPTION", "YB501  
CANOPY", "YB501 CABIN", "YB501 OPTION"  
2,79,, "BUCKET330(ATTACHMENT)", "YB451 CANOPY", "YB451 CABIN", "YB451 OPTION", "YB501  
CANOPY", "YB501 CABIN", "YB501 OPTION"  
2,80,, "HOOK(OPTIONAL)", "YB451 CANOPY", "YB451 CABIN", "YB451 OPTION", "YB501  
CANOPY", "YB501 CABIN", "YB501 OPTION"  
2,81,, "LIFT PIN(OPTIONAL)", "YB451 CANOPY", "YB451 CABIN", "YB451 OPTION", "YB501  
CANOPY", "YB501 CABIN", "YB501 OPTION"  
2,82,, "WIND WASHER(OPTIONAL)", "YB451 CANOPY", "YB451 CABIN", "YB451 OPTION", "YB501  
CANOPY", "YB501 CABIN", "YB501 OPTION"  
2,83,, "SWITCH & QUARTZ CLOCK(OPTIONAL)", "YB451 CANOPY", "YB451 CABIN", "YB451  
OPTION", "YB501 CANOPY", "YB501 CABIN", "YB501 OPTION"  
2,84,, "HEATER & DEFROSTER(OPTIONAL)", "YB451 CANOPY", "YB451 CABIN", "YB451  
OPTION", "YB501 CANOPY", "YB501 CABIN", "YB501 OPTION"  
2,85,, "DEFROSTER B (QUICK CHANGE)", "YB451 CANOPY", "YB451 CABIN", "YB451  
OPTION", "YB501 CANOPY", "YB501 CABIN", "YB501 OPTION"  
2,86,, "RADIO(OPTIONAL)", "YB451 CANOPY", "YB451 CABIN", "YB451 OPTION", "YB501  
CANOPY", "YB501 CABIN", "YB501 OPTION"  
2,87,, "STEREO(OPTIONAL)", "YB451 CANOPY", "YB451 CABIN", "YB451 OPTION", "YB501  
CANOPY", "YB501 CABIN", "YB501 OPTION"  
2,88,, "CRAWLER(OPTIONAL)", "YB451 CANOPY", "YB451 CABIN", "YB451 OPTION", "YB501  
CANOPY", "YB501 CABIN", "YB501 OPTION"  
2,89,, "B TYPE QUICK LEVER(OPTIONAL)", "YB451 CANOPY", "YB451 CABIN", "YB451  
OPTION", "YB501 CANOPY", "YB501 CABIN", "YB501 OPTION"  
2,90,, "OVER HEAD PANEL(OPTIONAL)", "YB451 CANOPY", "YB451 CABIN", "YB451  
OPTION", "YB501 CANOPY", "YB501 CABIN", "YB501 OPTION"  
2,91,, "SEAT & STEP(1)(OPTIONAL)", "YB451 CANOPY", "YB451 CABIN", "YB451  
OPTION", "YB501 CANOPY", "YB501 CABIN", "YB501 OPTION"  
2,92,, "SEAT & STEP(2)(OPTIONAL)", "YB451 CANOPY", "YB451 CABIN", "YB451  
OPTION", "YB501 CANOPY", "YB501 CABIN", "YB501 OPTION"

2,93,, "TURNING MOTOR(MECHA.BRAKE)", "YB451 CANOPY", "YB451 CABIN", "YB451  
OPTION", "YB501 CANOPY", "YB501 CABIN", "YB501 OPTION"  
2,94,, "TRAVEL MOTOR(MECHA.BRAKE)", "YB451 CANOPY", "YB451 CABIN", "YB451  
OPTION", "YB501 CANOPY", "YB501 CABIN", "YB501 OPTION"  
2,95,, "P.T.O. VALVE PIPUNG(OPTIONAL)", "YB451 CANOPY", "YB451 CABIN", "YB451  
OPTION", "YB501 CANOPY", "YB501 CABIN", "YB501 OPTION"  
2,96,, "P.T.O.VALVE PIPING(U,UZ)OPTION", "YB451 CANOPY", "YB451 CABIN", "YB451  
OPTION", "YB501 CANOPY", "YB501 CABIN", "YB501 OPTION"  
2,97,, "P.T.O. VALVE(OPTIONAL)", "YB451 CANOPY", "YB451 CABIN", "YB451  
OPTION", "YB501 CANOPY", "YB501 CABIN", "YB501 OPTION"  
2,98,, "VALVE STOPPER(OPTIONAL)", "YB451 CANOPY", "YB451 CABIN", "YB451  
OPTION", "YB501 CANOPY", "YB501 CABIN", "YB501 OPTION"

Silverhorn.CO.UK